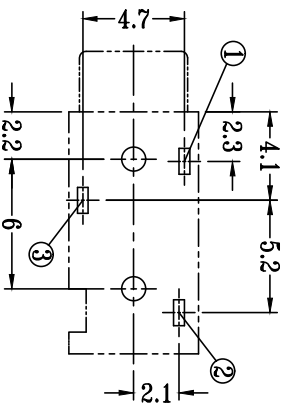
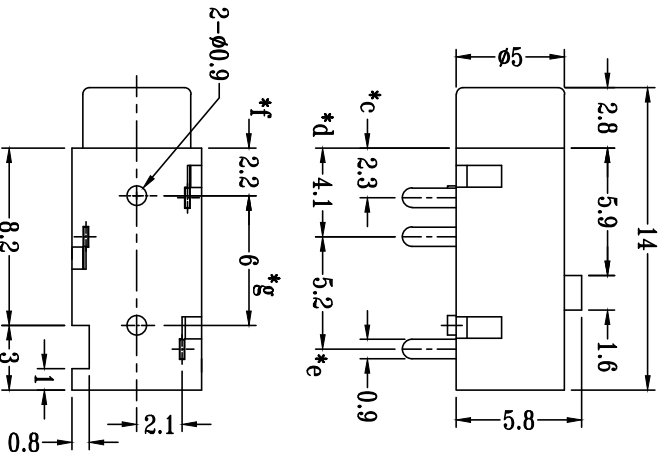
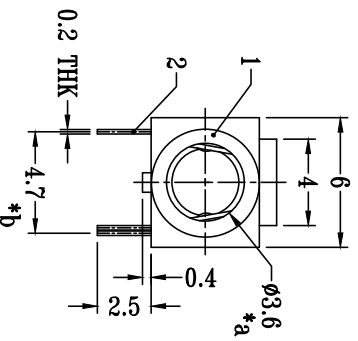
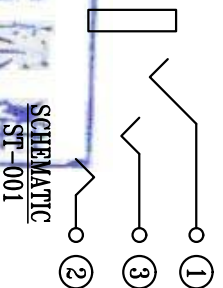
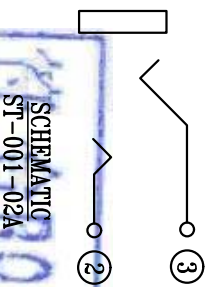
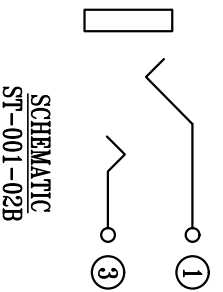


Authorized Signature(s)



P.C.B LAYOUT  
 BOTTOM VIEW

Rating (max.) 1A DC 12V  
 Contact Resistance 50 m max.  
 Insulation Resistance 100 M min. 500 V DC  
 Withstand Voltage. 500 V AC for 1 min.  
 Operating Force 0.5~2.0 Kgf  
 Terminal Strength 0.15 kgf for 10s?  
 Actuator Strength N/A  
 Solderability 255 ± 5  
 Reflow Soldering 255 , 10s  
 Operating Life with Load N/A  
 Cold Test -35 for 96 hrs  
 Heat Test 85 for 96 hrs  
 Operating Life without Load 5,000 cycles, 100 m max. ?  
 Humidity Test 40 , 90 to 95% RH for 96 hrs



Marker	Describe	Data	DSND	CHKD	DATE	SCALE: 3 : 1	VIEW:	UNIT: mm	NAME: 3.5 PHONE JACK	ROHS
UNSPECIFIED TOLERANCE	≤4 ±0.15	4-16 ±0.20	≥16 ±0.30	ANGULAR ±5°	DSND Chuyunfeng	2009.12.17			CAT. NO. P-J-3200	
					APVD				DWN. NO. P-J-3200	B0