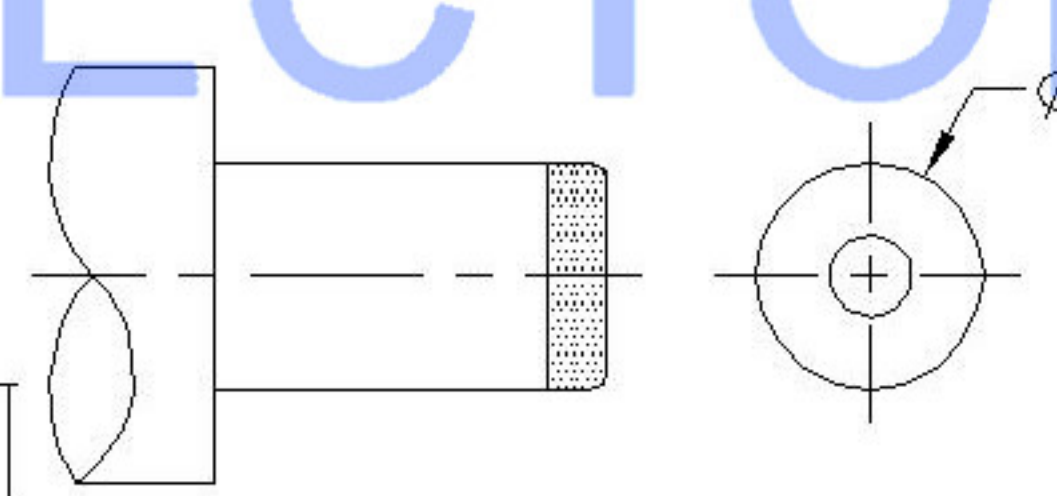


XKB

SWITCH CONNECTOR

PCB LAYOUT
FRONT VIEW



	MATERIAL	PLATING
center pin	copper	nickel
terminal 1	brass	tin
terminal 2	copper alloy	tin
terminal 3	brass	tin
plastic	PBT	

SCHEMATIC	
Model	DC-015-2.5A
Center Pin	$\phi 2.0$ mm
	$\phi 2.5$ mm

MARK	DESCRIPTION	DATE	REVISED	APPROVED	UNSPECIFIED TOLERANCES
Δ X					ANGULAR $\pm 5^\circ$
Δ X					$L \leq 4$ ± 0.2
Δ X					$4 < L \leq 16$ ± 0.3
					$16 < L \leq 63$ ± 0.4
					$L > 63$ ± 0.5
REVISIONS					

DSND	DATE	SCALE: N/A	MODEL TYPE: DC POWER JACK
DWN	DATE	VIEW:	PART NO.:
CHKD	DATE	UNIT: mm	DWG NO.:
APPD	DATE	SIZE: A4	DC-015-2.5A-2.0
XKB INDUSTRIAL PRECISION CO., LIMITED			WEIGHT 1.0g
			SHEET 1/1
			REVISION A0