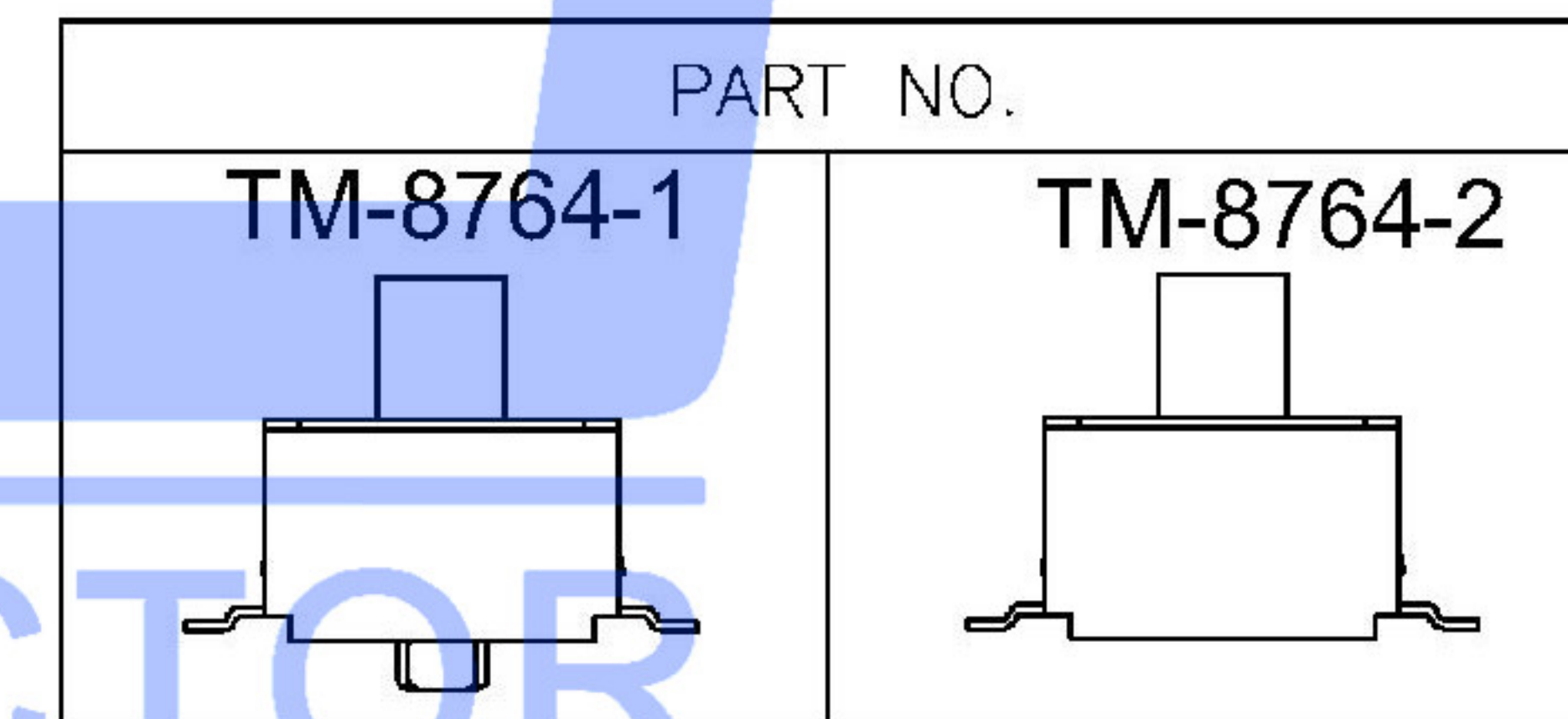


NOTE:
 Rating: DC 30V 0.1A
 Operating Force: 30±10gf
 Lifetime: 100,000 Cycles
 Operating Force: 25±10gf



ITEM	PART NAME	TER. NO	QTY	MATERIAL	FINISHING	REMARK
⑤	Contact	—	1	Be Alloy	ag Plated	—
④	Terminal	—	4	Brass	ag Plated	—
③	Cover	—	1	SUS	Black	—
②	Base	—	1	LCP	Black	—
①	Keystake	—	1	PA46	Black	—

MARK	DESCRIPTION	DATE	REVISED	APPROVED	UNSPECIFIED TOLERANCES
Δ X					ANGLAR ±5°
Δ X					L ≤ 4 ±0.2
Δ X					4 < L ≤ 16 ±0.3
					16 < L ≤ 63 ±0.4
					L > 63 ±0.5

DSND	DATE	SCALE: N/A	MODEL TYPE:
DWN	DATE	VIEW:	DETECT SWITCH
CHKD	DATE	UNIT: mm	PART NO.:
APPD	DATE	SIZE: A4	DWG NO.: TM-8764-X
KXB INDUSTRIAL PRECISION CO., LIMITED			WEIGHT 1.0g
			SHEET 1/1
			REVISION A0