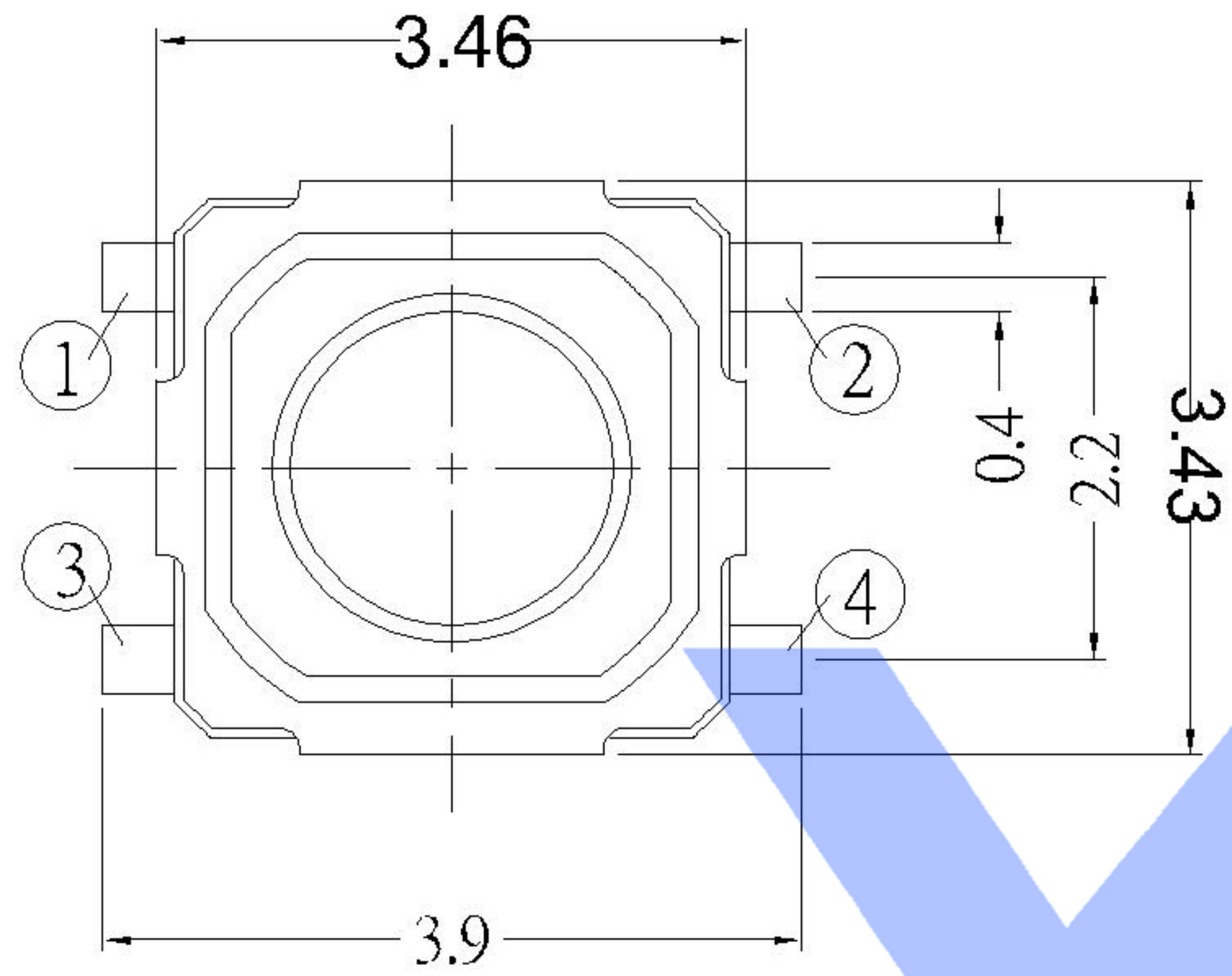
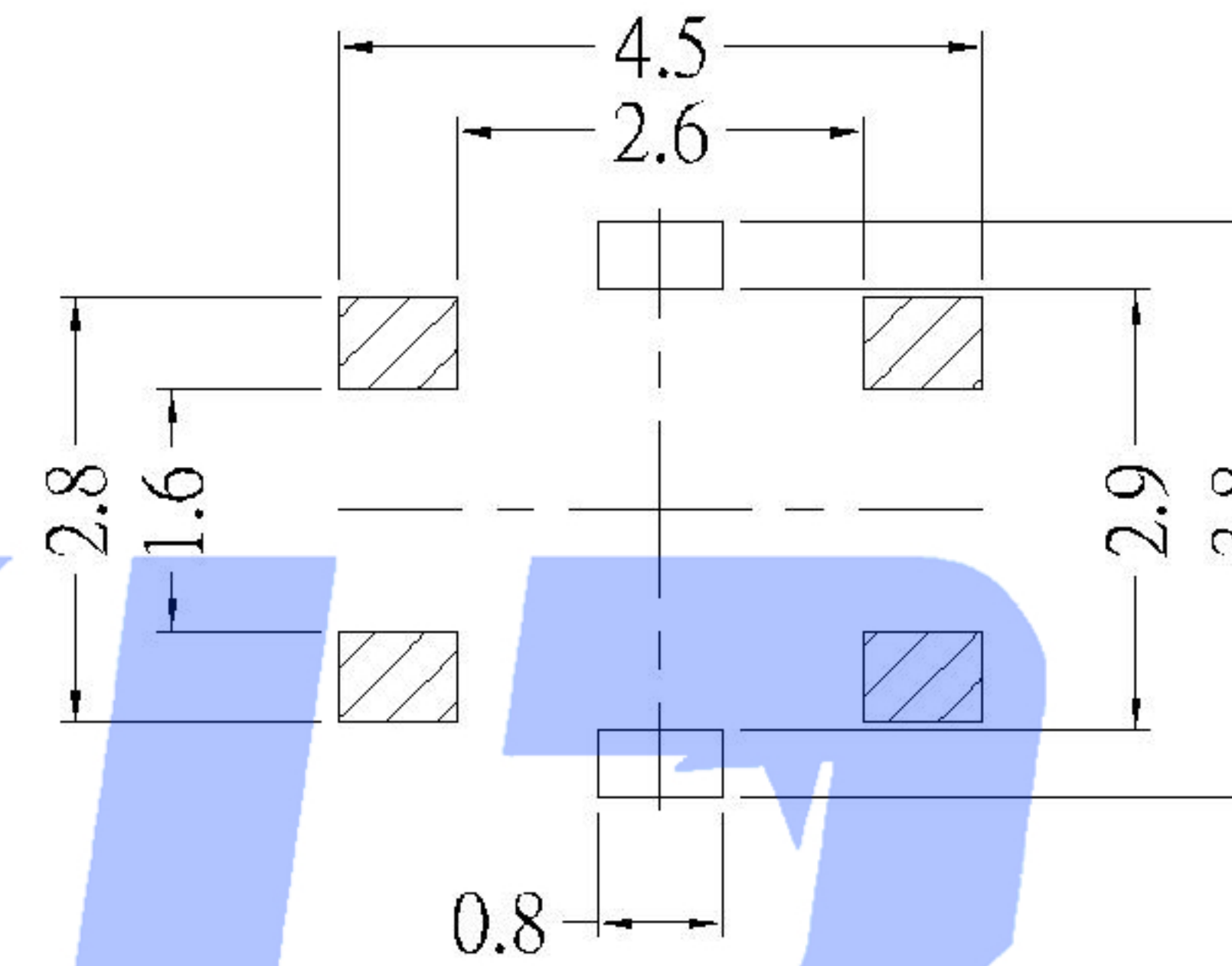


DIMENSIONS

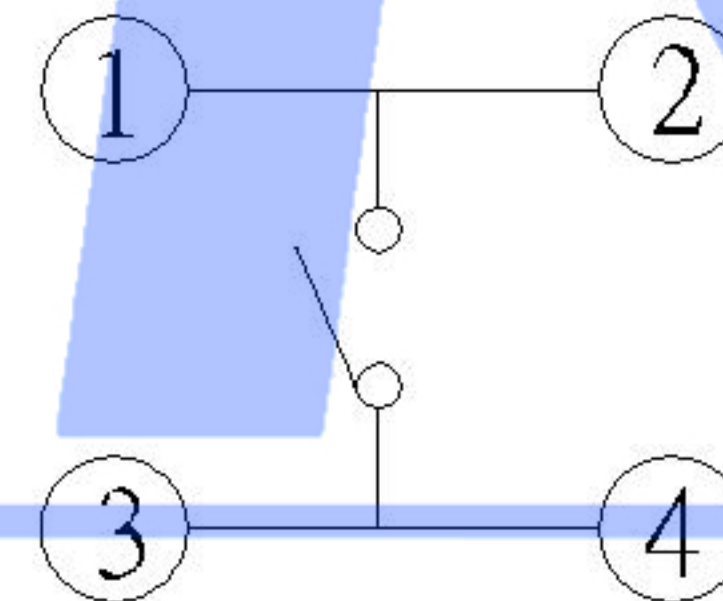


PRODUCT IMAGE

P.C.B LAYOUT MOUNTING PATTERN



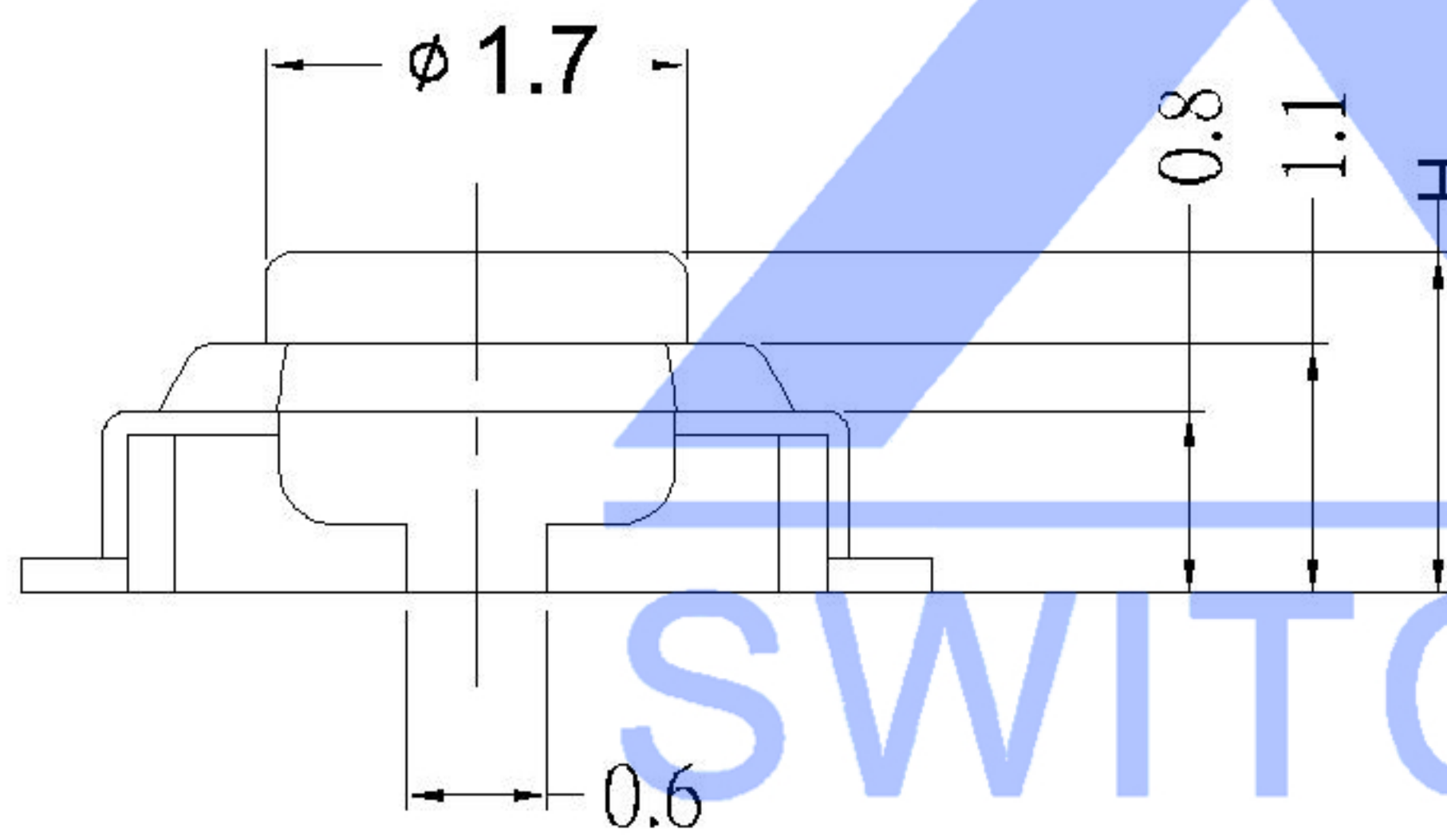
CIRCUIT DIAGRAM



SPECIFICATION

Contact Rating 50mA, 12V DC
 Contact Resistance 100mΩ max.
 Insulation Resistance 100MΩ min. 500V DC
 Dielectric Strength 250V AC/1 minute
 Travel 20mm
 Operating Temp. -25°C ~ +70°C
 Storage Temp. -30°C ~ +80°C

PAPT NO	TS-1177-X-X-X
Operating Force	B:160gf C:260gf
Height	H:A:1.5 B:2.0
color	B:black W:white



SWITCH CONNECTOR

⑤	Terminal	—	4	Brass (0.30t)	ag Plated	—
④	Contact	—	1	F.ag/SUS		—
③	Base	—	1	PA46		—
②	Cover	—	1	Brass	Tin plated	—
①	Keystake	—	1	PA46		—
ITEM	PAPT NAMF	TER,NO	QTY	MATERIAL	FINISHING	REMARK

DSND		DATE		SCALE: N/A	MODEL TYPE: TACT SWITCH
DWN		DATE		VIEW:	PART NO.:
CHKD		DATE		UNIT: mm	DWG NO.:
APPD		DATE		SIZE: A4	TS-1177-X-X-X
				XKB INDUSTRIAL PRECISION CO.,LIMITED	WEIGHT 1.0g
					SHEET 1/1
					REVISION A0

units: mm					
tolerance:					
X.X	±0.2mm				
X.XX	±0.1mm				
X.XXX	±0.05mm				
MARK	DESCRIPTION	DATE	REVISED	APPROVED	UNSPECIFIED TOLERANCES
Δ X					
Δ X					
Δ X					
REVISIONS					
www.xk-dg.cn www.helloxkb.com www.helloxkb.cn					