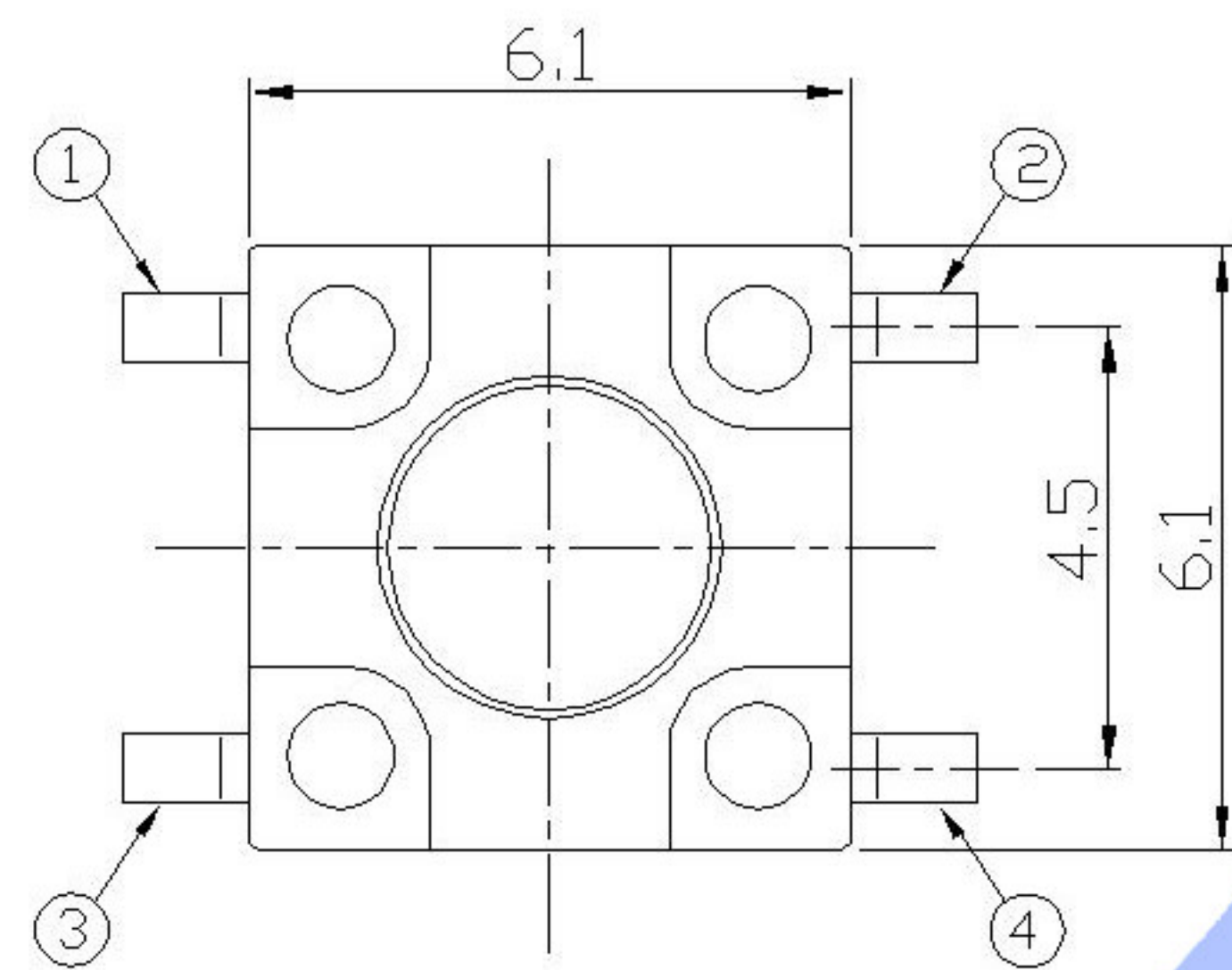
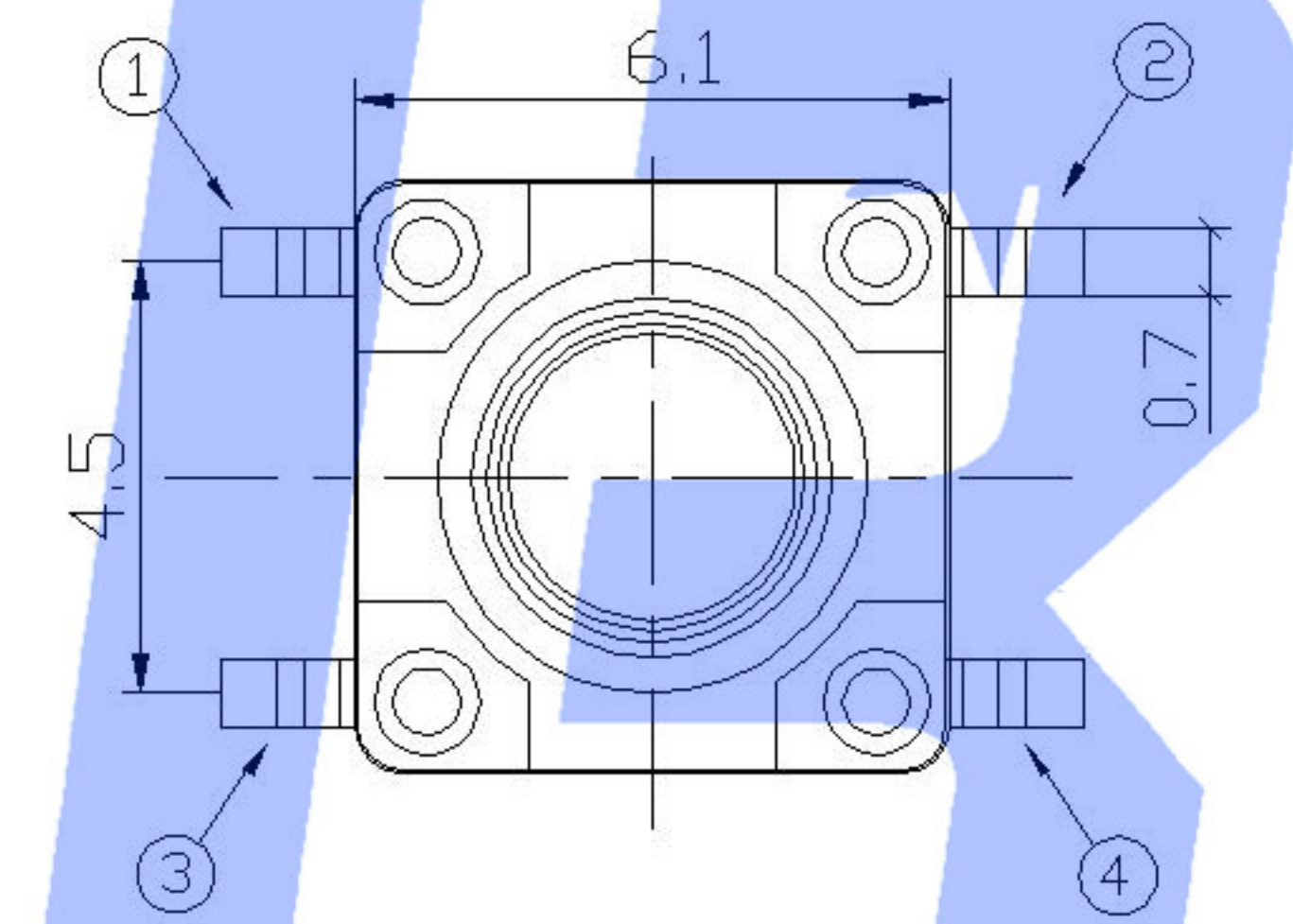
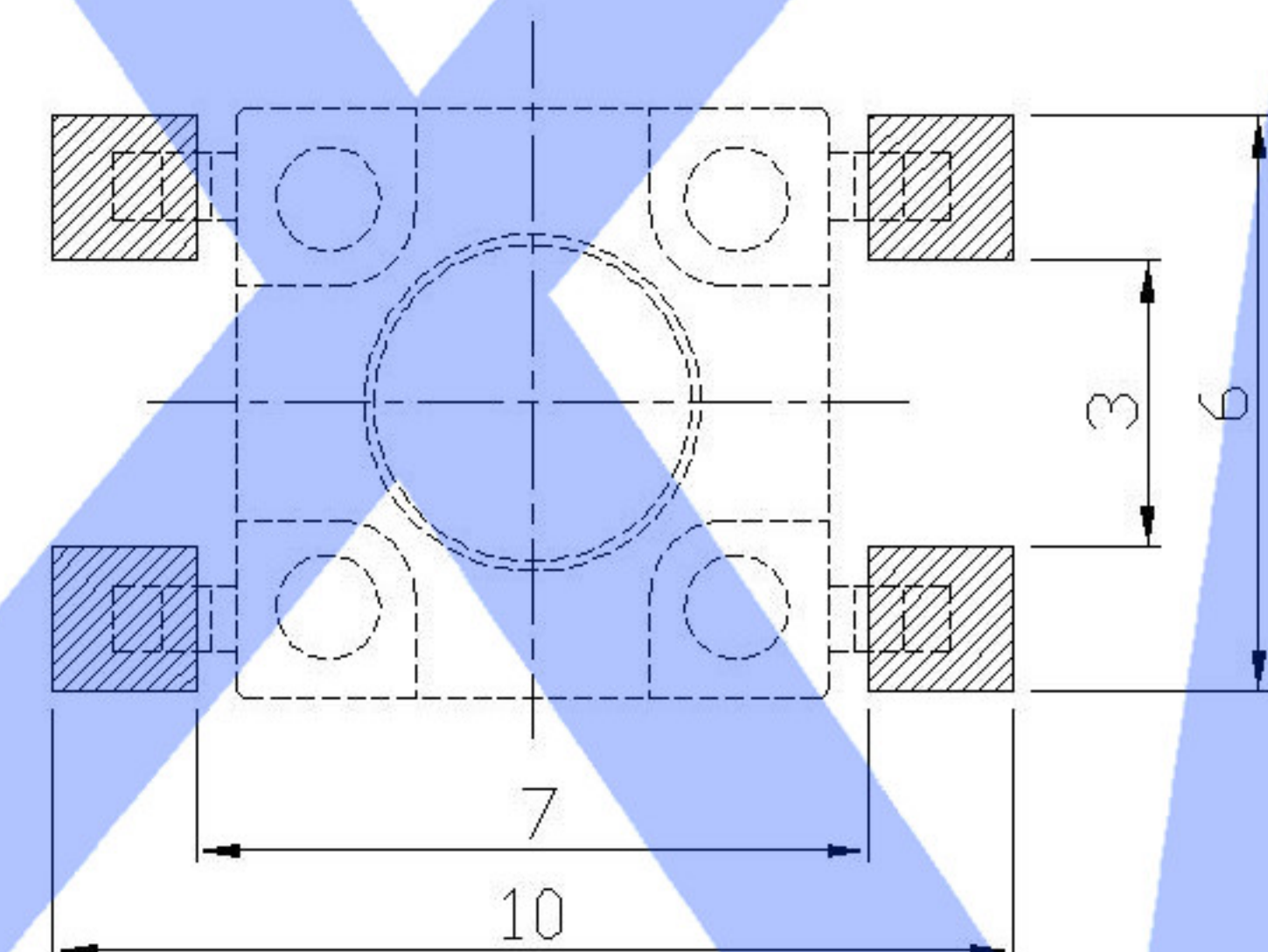


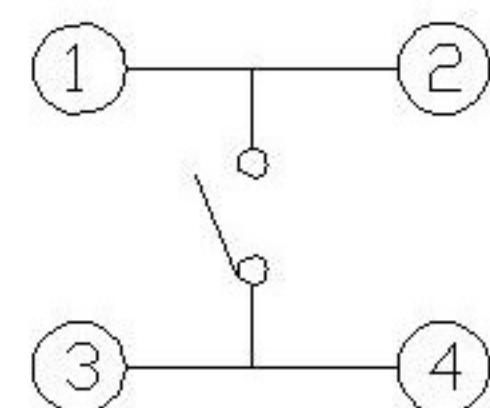
Code-X	H
L	9.5
M	10.0
N	10.5
O	11.0
P	11.5
Q	12
R	12.5
S	13.0
T	13.5
U	14.0
V	15.0
W	15.5
X	16
Y	16.5
Z	17
18	18
19	19



P.C.B MOUNTING PATTERN DIMENSION
The following soldering patterns are recommended for reflow soldering



CIRCUIT DIAGRAM



Code-X	H
A	4.3
B	4.5
C	5.0
D	5.5
E	6.0
F	6.5
G	7.0
H	7.5
I	8.0
J	8.5
K	9.0

SPECIFICATION

Contact Rating 50mA 12V DC
 Contact Resistance 100mΩ max.
 Insulation Resistance 100MΩ min. 500V DC
 Dielectric Strength 250V AC/1 minute
 Travel 0.25mm
 Operating Temp. -25 C +70 C
 Storage Temp. -30 C +80 C

PAPT NO	TS-FS66T-X-X
Operating Force	A: 100gf B: 160gf C: 260gf
Height	Code-X

ITEM	PAPT NAMF	TER.NO	QTY	MATERIAL	FINISHING	REMARK
⑤	Terminal	—	4	Brass (0.30t)	ag Plated	—
④	Contact	—	1	F.ag/SUS		—
③	Base	—	1	PA46		—
②	Cover	—	1	Brass	Tin plated	—
①	Keystake	—	1	PA46		—

SWITCH CONNECTOR

DSND		DATE		SCALE: N/A	MODEL TYPE: TACT SWITCH	
DWN		DATE		VIEW:	PART NO.:	
CHKD		DATE		UNIT: mm	DWG NO.:	
APPD		DATE		SIZE: A4	TS-FS66T-X-X	
KKB INDUSTRIAL PRECISION CO.,LIMITED				WEIGHT	SHEET	REVISION
				1.0g	1/1	A0

MARK	DESCRIPTION	DATE	REVISED	APPROVED	units: mm
ΔX					tolerance: X.X ±0.2mm
ΔX					X.XX ±0.1mm
ΔX					X.XXX ±0.05mm
UNSPECIFIED TOLERANCES					
www.xk-dg.cn www.helloxkb.com www.helloxkb.cn					