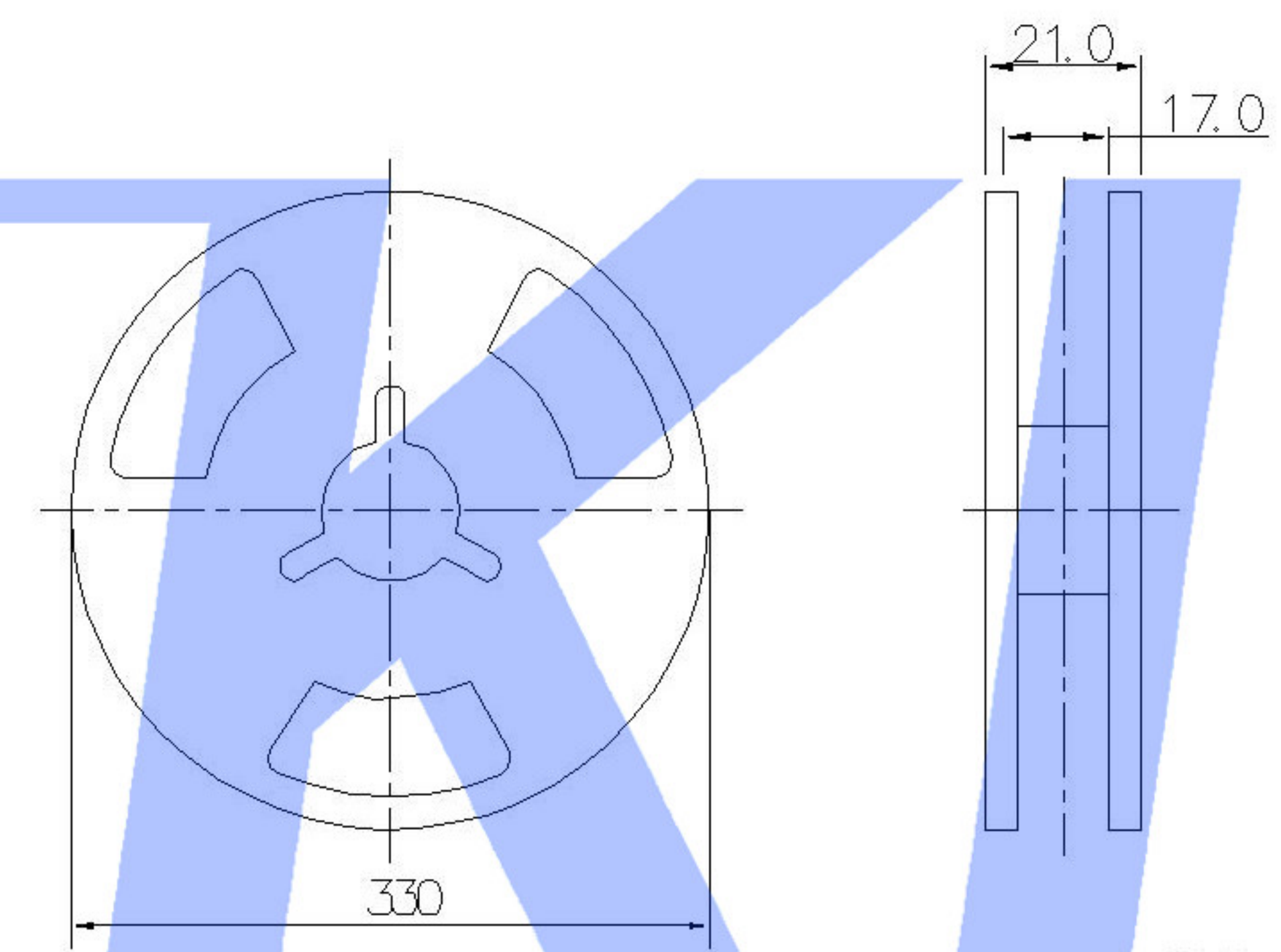
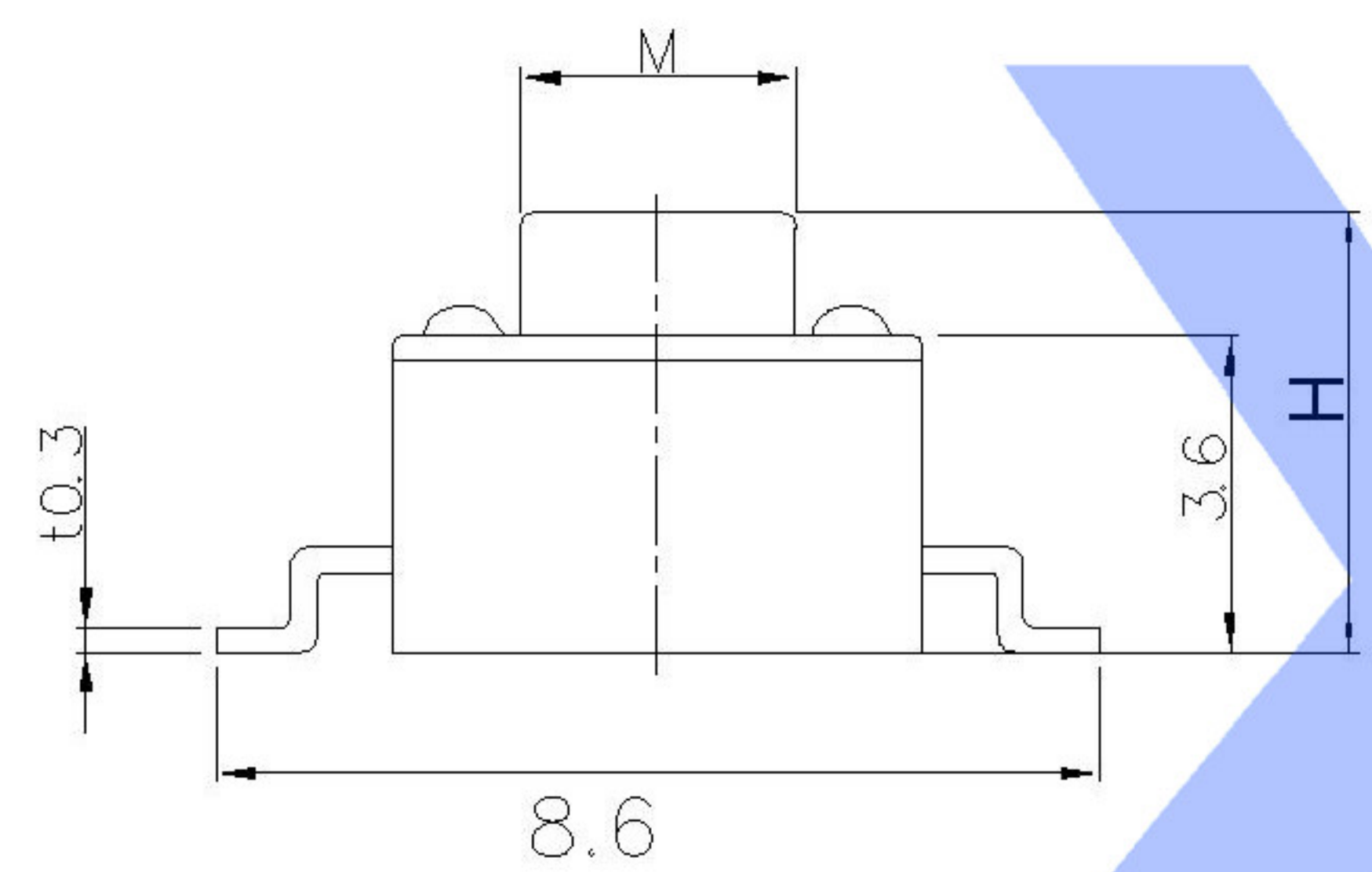
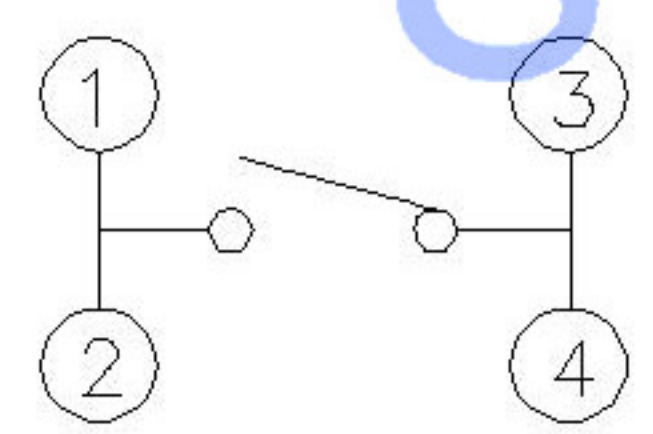


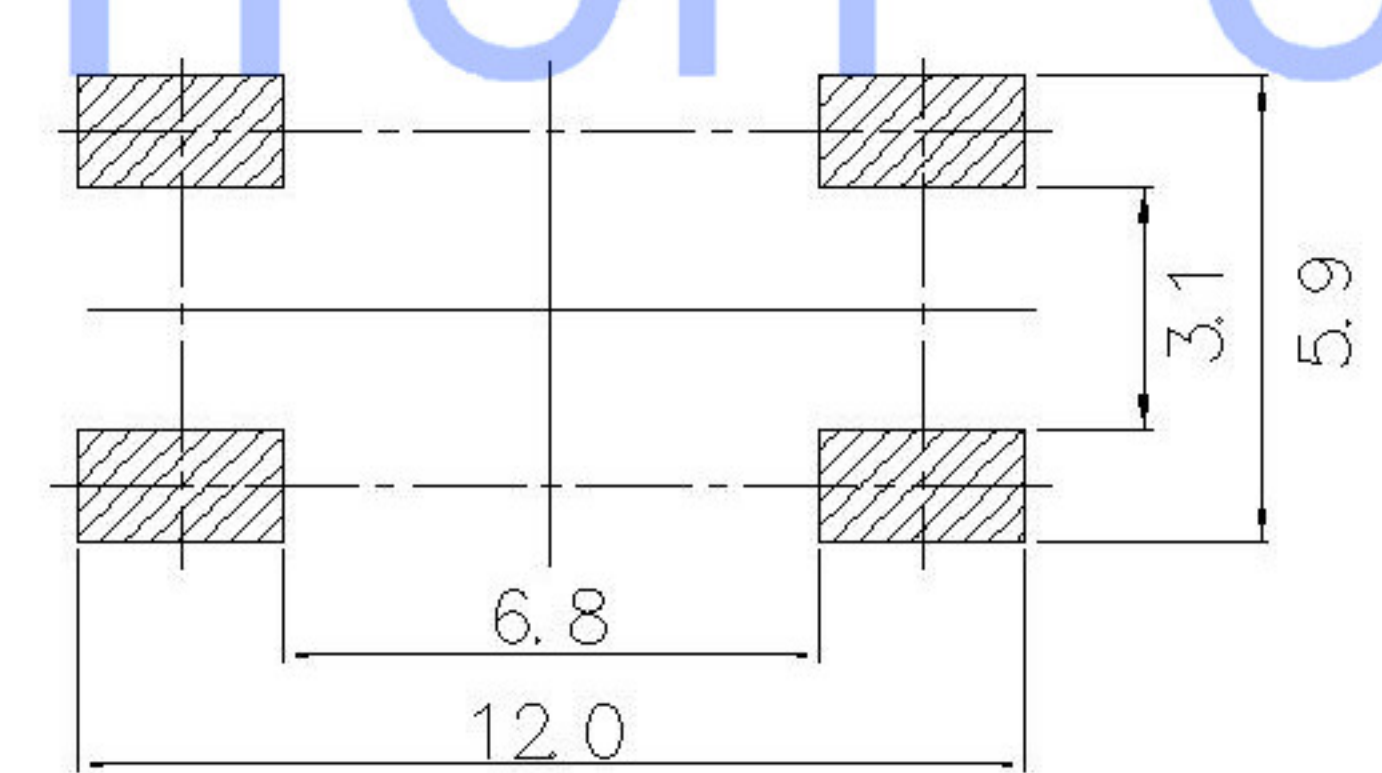
Code-X	H	Code-X	H
A	4.3	O	11.0
B	4.5	P	11.5
C	5.0	Q	12
D	5.5	R	12.5
E	6.0	S	13.0
F	6.5	T	13.5
G	7.0	U	14.0
H	7.5	V	15.0
I	8.0	W	15.5
J	8.5	X	16
K	9.0	Y	16.5
L	9.5	Z	17
M	10.0	18	18
N	10.5	19	19



CIRCUIT DIAGRAM



P.C.B MOUNTING HOLES



PACKING REEL TYPE

SPECIFICATION

Contact Rating 50mA, 12V DC
 Contact Resistance 100mΩ max.
 Insulation Resistance 100MΩ min. 500V DC
 Dielectric Strength 250V AC/1 minute
 Travel 0.25 mm
 Operating Temp. -25°C ~ +70°C
 Storage Temp. -30°C ~ +80°C

PAPT NO	TS-1102S-X-X-X
Operating Force	A:100gf B:160gf C:260gf
Height	Code-X
color	B:Black BK:Brown R:Red O:Orange Y:Yellow BL:Blue W:White

ITEM	PAPT NAMF	TER.NO	QTY	MATERIAL	FINISHING	REMARK
⑤	Terminal	—	2	Brass (0.30t)	ag Plated	—
④	Contact	—	1	F.ag/SUS	—	—
③	Base	—	1	PA46	Natural	—
②	Cover	—	1	Brass	Tin plated	—
①	Keystake	—	1	PA46	—	—

MARK	DESCRIPTION	DATE	REVISED	APPROVED	UNSPECIFIED TOLERANCES
ΔX					units: mm
ΔX					tolerance: X.X ±0.2mm
ΔX					X.XX ±0.1mm
MARK					X.XXX ±0.05mm

DSND		DATE		SCALE: N/A	MODEL TYPE: TACT SWITCH
DWN		DATE		VIEW:	PART NO.:
CHKD		DATE		UNIT: mm	DWG NO.:
APPD		DATE		SIZE: A4	TS-1102S-X-X-X
				XKB INDUSTRIAL PRECISION CO.,LIMITED	WEIGHT 1.0g
					SHEET 1/1
					REVISION A0