

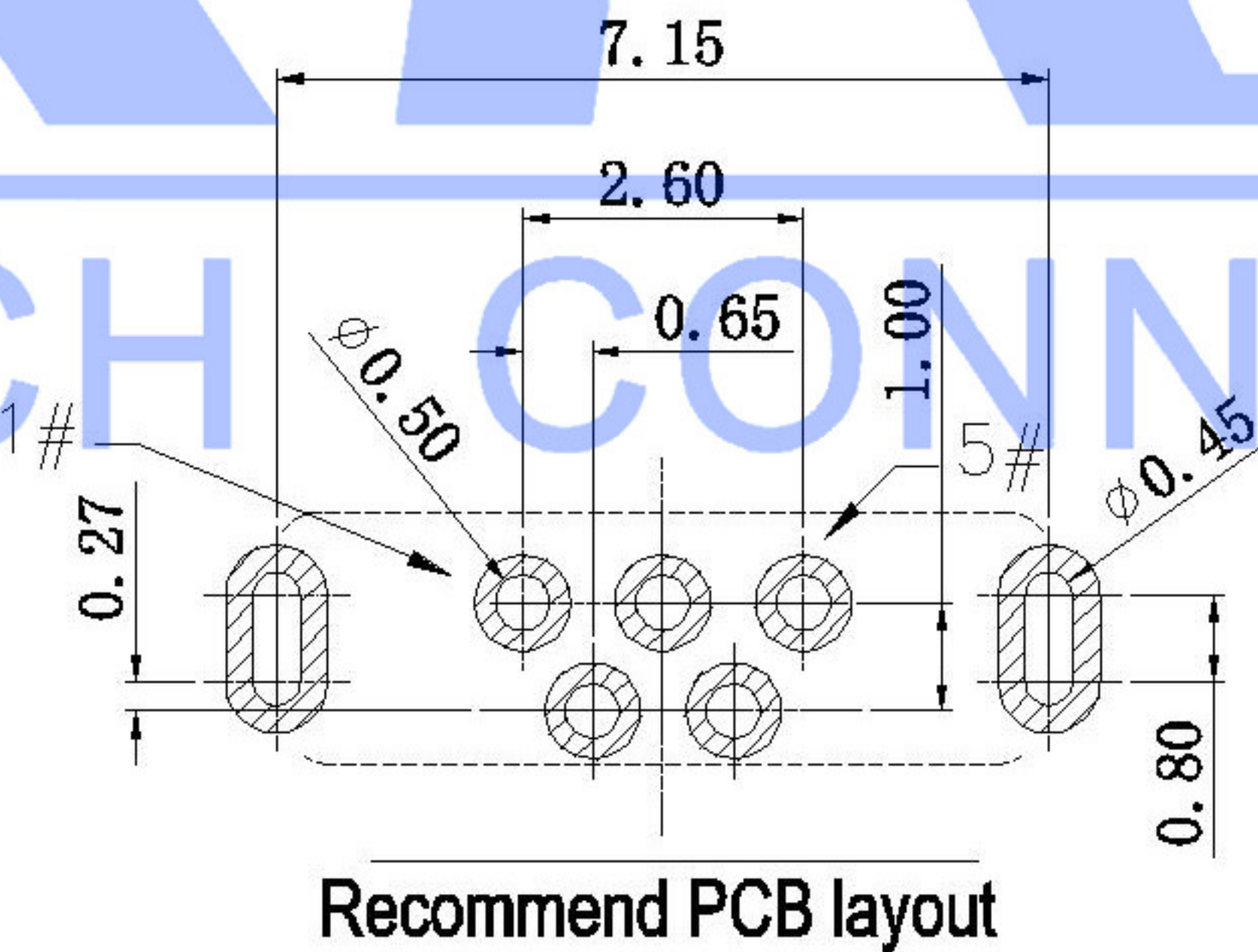
Note:

1. Material:

- 1.1 Housing: High temperature thermoplastic with g.f, UL94v-0
- 1.2 Contact: copper alloy, t=0.20mm
- 1.3 Shell: copper alloy, t=0.25mm

2. Specification:

- 2.1 Current rating: 1A Max
- 2.2 Dielectric withstanding voltage: 100V(AC) for 1 min.
- 2.3 Contact resistance: 50mΩ Max.
- 2.4 Insulation resistance: 100mΩ min.
- 2.5 Total mating force: 3.57 Kgf Max.
- 2.6 Total unmating force: 1.0 Kgf Min. 0.81~2.05 Kgf Min. after 10,000 insertion/extraction cycles
- 2.7 Temperature range: -30° C~80° C



ITEM	PART NAME	Q'TY	FINISH	NOTE
3	Shell	1	SUS304R-1/2H Ni PlatingT=0.30mm (3U)	
2	Contact	5	Phosphor bronze C5191R-EH Au/Ni Plating T=0.20mm (1U)	
1	Housing	1	PA9T&LCP (G.F30%)	

MARK	DESCRIPTION	DATE	REVISED	APPROVED	UNSPECIFIED TOLERANCES
△ X					ANGULAR ±5°
△ X					L ≤ 4 ±0.2
△ X					4 < L ≤ 16 ±0.3
					16 < L ≤ 63 ±0.4
					L > 63 ±0.5

DSND	DATE	SCALE: N/A	MODEL TYPE:
DWN	DATE	VIEW:	PART NO.: U-E-M5SS-W-0
CHKD	DATE	UNIT: mm	DWG NO.: U-E-M5SS-W-0
APPD	DATE	SIZE: A4	
XKB INDUSTRIAL PRECISION CO., LIMITED			WEIGHT 1.0g
			SHEET 1/1
			REVISION A0