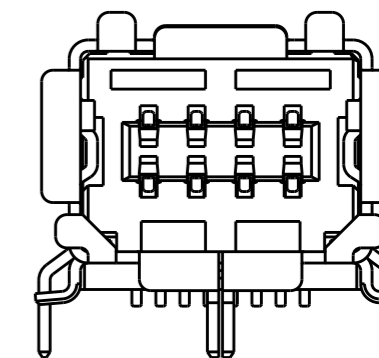
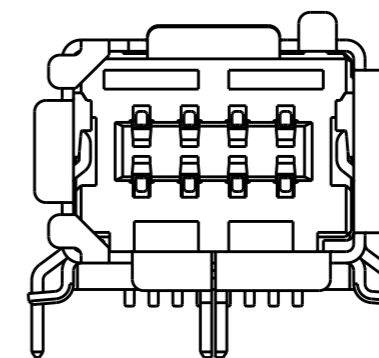
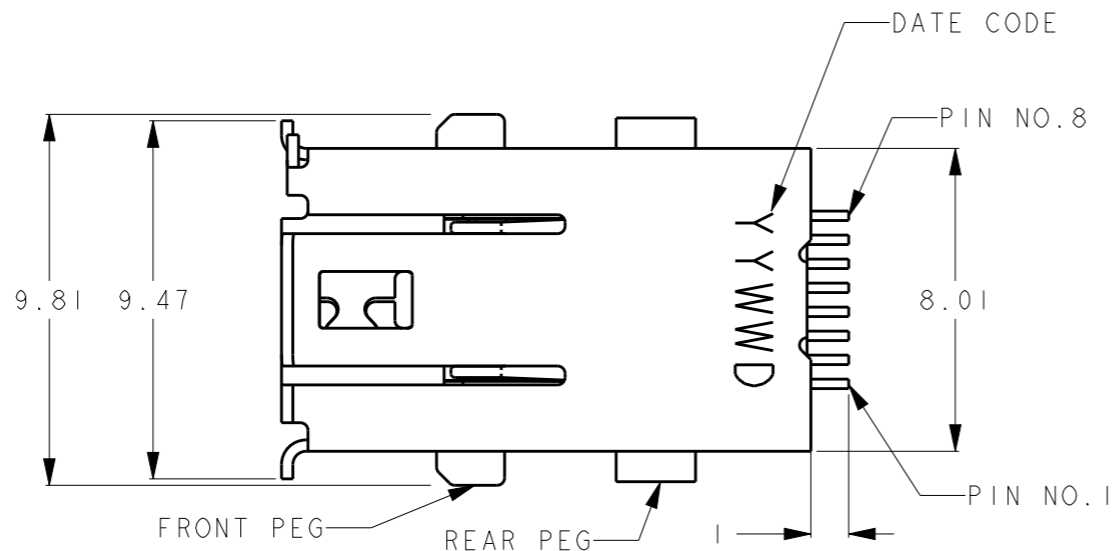


THIS DRAWING IS UNPUBLISHED. RELEASED FOR PUBLICATION 2015
 © COPYRIGHT 2015 BY Tyco Electronics Japan G.K. ALL RIGHTS RESERVED.

- 1: AS SHOWN

REVISIONS

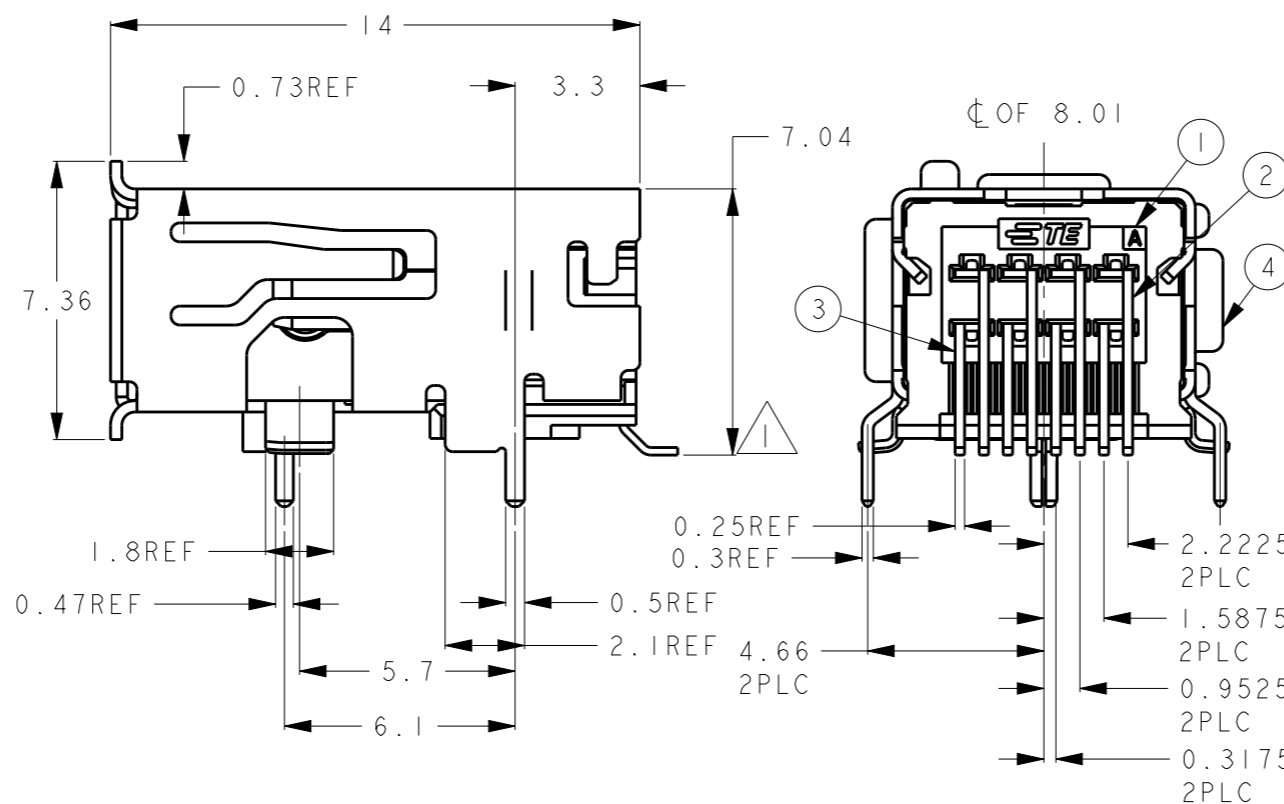
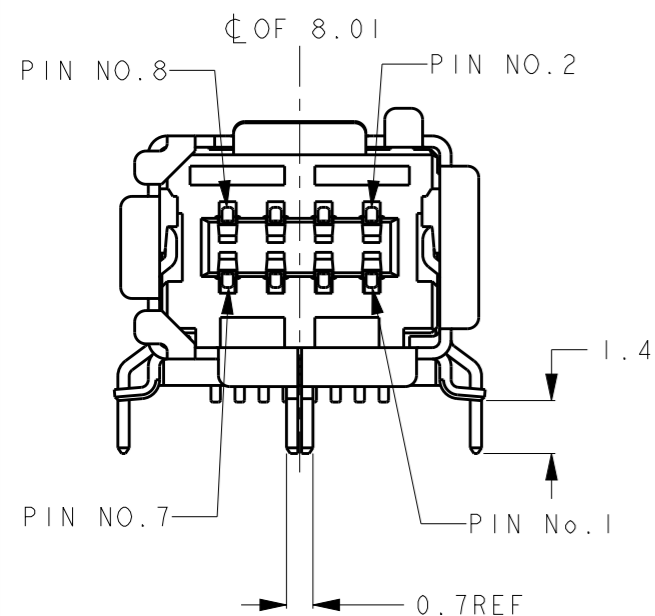
| P | LTR | DESCRIPTION | DATE | DWN | APVD |
|---|-----|-------------|-----------|-----|------|
| A | | RELEASED | 28JUN2016 | T.S | N.Y |
| B | | REVISED | 11JUL2016 | T.S | N.Y |



TYPE I

TYPE II

| | | |
|-----------|---------|---------------|
| 2294415-2 | TYPE II | BLACK |
| 2294415-1 | TYPE I | BLACK |
| P/N | D-SHAPE | HOUSING COLOR |



1 COPLANARITY: 0.08MAX (FRONT PEG, CONTACT)

2 DIMENSION DECIDED BY CUSTOMER

| QTY | DESCRIPTION | ITEM |
|-----|--|------|
| 1 | HDR SHELL TYPE II MATERIAL:SUS UNDER ALL SURFACE Ni 0.00127MIN ALL SURFACE Sn 0.002MIN | 4 |
| - | HDR SHELL TYPE I MATERIAL:SUS UNDER ALL SURFACE Ni 0.00127MIN ALL SURFACE Sn 0.002MIN | 4 |
| 4 | HDR LOWER CONTACT MATERIAL:COPPER ALLOY UNDER ALL SURFACE Ni 0.00127MIN CONTACT AREA Au 0.0005MIN SOLDERING AREA Sn 0.002MIN | 3 |
| 4 | HDR UPPER CONTACT MATERIAL:COPPER ALLOY UNDER ALL SURFACE Ni 0.00127MIN CONTACT AREA Au 0.0005MIN SOLDERING AREA Sn 0.002MIN | 2 |
| 1 | HDR HOUSING MATERIAL:THERMO PLASTIC(UL94 V-0) COLOR:BLACK | 1 |
| -2 | DESCRIPTION | ITEM |

THIS DRAWING IS A CONTROLLED DOCUMENT.

| DIMENSIONS: 単位: 概 mm | TOLERANCES UNLESS OTHERWISE SPECIFIED: 一般公差 ±0.3 |
|----------------------------|--|
| 0 PLC ± | 1 PLC ± |
| 1 PLC ± | 2 PLC ± |
| 2 PLC ± | 3 PLC ± |
| 3 PLC ± | 4 PLC ± |
| 4 PLC ± | ANGLES ±5° |
| MATERIAL 材料 | FINISH 仕上 |

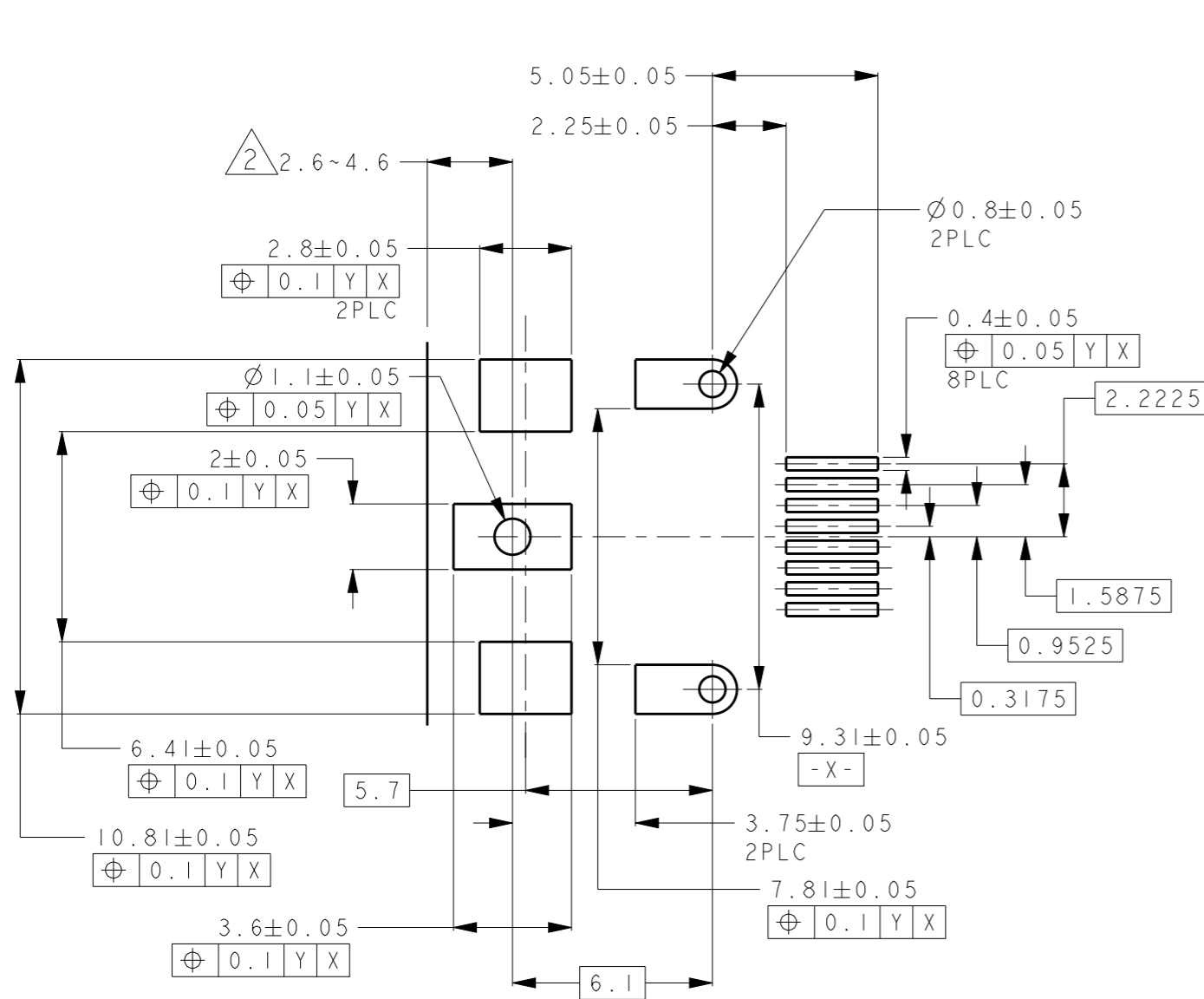
| | |
|------------------|-----------|
| DWN | 28JUN2016 |
| T. SHIMOYASU | |
| CHK | 28JUN2016 |
| E. TAKEMASA | |
| APVD | 28JUN2016 |
| N. YAMASAKI | |
| PRODUCT SPEC | 108-78405 |
| 製品規格 | |
| APPLICATION SPEC | 114-32132 |
| 取付適用規格 | |
| WEIGHT | - |
| CUSTOMER DRAWING | |



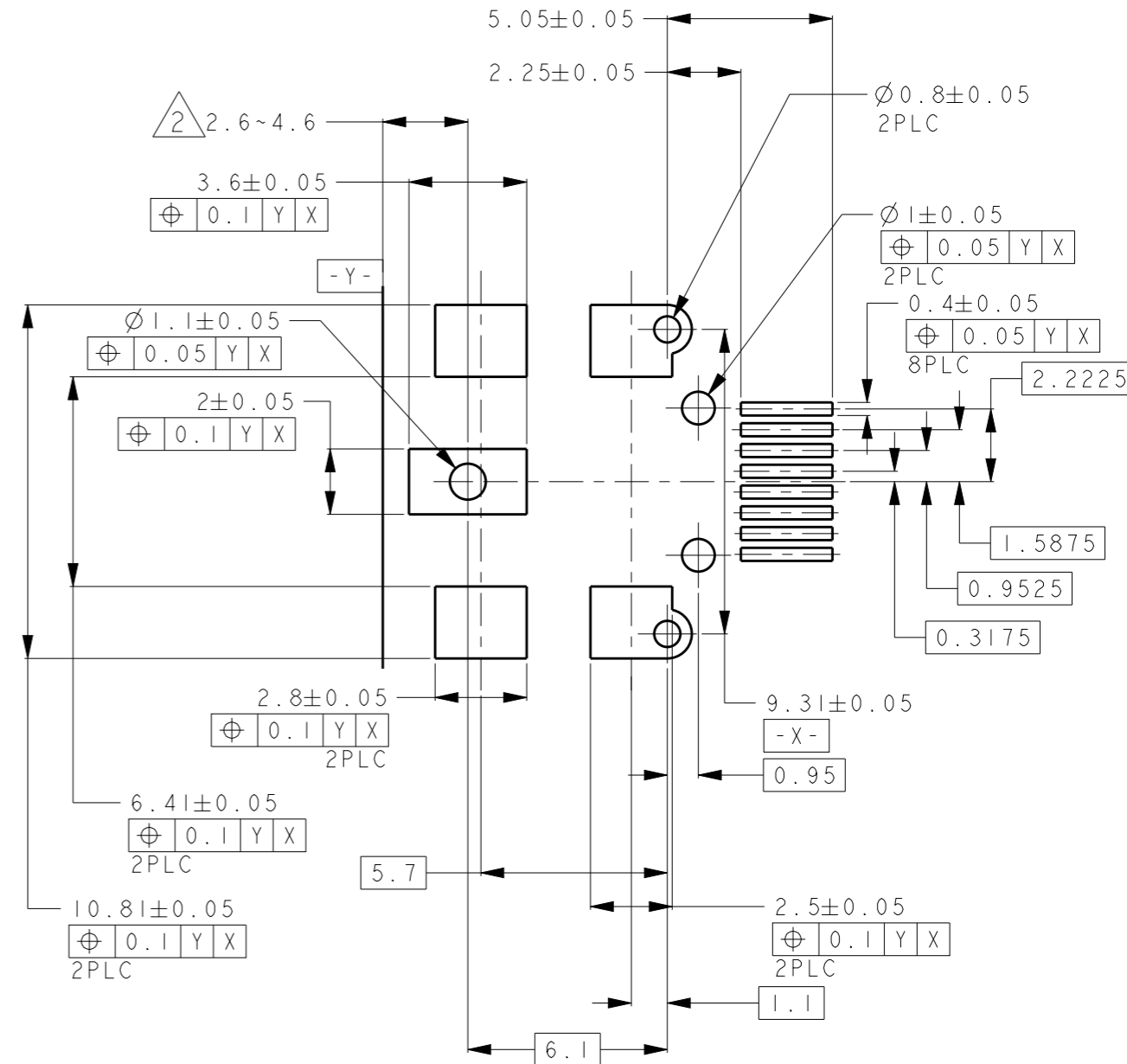
| | | | |
|---|------------|------------------|---------------|
| NAME 名称 INDUSTRIAL MINI I/O CONN. 1.27MM PITCH 8P HDR ASSY SMT TRAY | | | |
| SIZE | CAGE CODE | DRAWING NO 番号 | RESTRICTED TO |
| A3 | - | C-2294415 | - |
| SCALE 尺度 | SHEET 張 | OF | REV |
| 5:1 | 1 | 3 | B |

REVISIONS


| P | LTR | DESCRIPTION | DATE | DWN | APVD |
|---|-----|-------------|------|-----|------|
| - | - | SEE SHEET 1 | - | - | - |



REFERENCE PCB DIMENSIONS (STANDARD) t=1.6±0.1



REFERENCE PCB DIMENSIONS (SAME AS 1981080-1/1981386-1) t=1.6±0.1

| | | | | |
|--|--|-------------------------|---|--------------------------|
| THIS DRAWING IS A CONTROLLED DOCUMENT. | | DWN |  TE Connectivity | |
| DIMENSIONS: 単位: 耗 mm | | CHK | | |
| TOLERANCES UNLESS OTHERWISE SPECIFIED: 一般公差 ±0.3 | | APVD | NAME 名称 INDUSTRIAL MINI I/O CONN. 1.27MM PITCH 8P HDR ASSY SMT TRAY | |
| 0 PLC ± | | PRODUCT SPEC 製品規格 | SIZE A3 | |
| 1 PLC ± | | APPLICATION SPEC 取付適用規格 | CAGE CODE - | DRAWING NO. 番号 C=2294415 |
| 2 PLC ± | | WEIGHT - | RESTRICTED TO - | |
| 3 PLC ± | | CUSTOMER DRAWING | SCALE 尺度 5:1 | SHEET 2 OF 3 |
| 4 PLC ± | | | REV B | |
| ANGLES ±5° | | | | |
| FINISH 仕上 | | | | |

THIS DRAWING IS UNPUBLISHED.

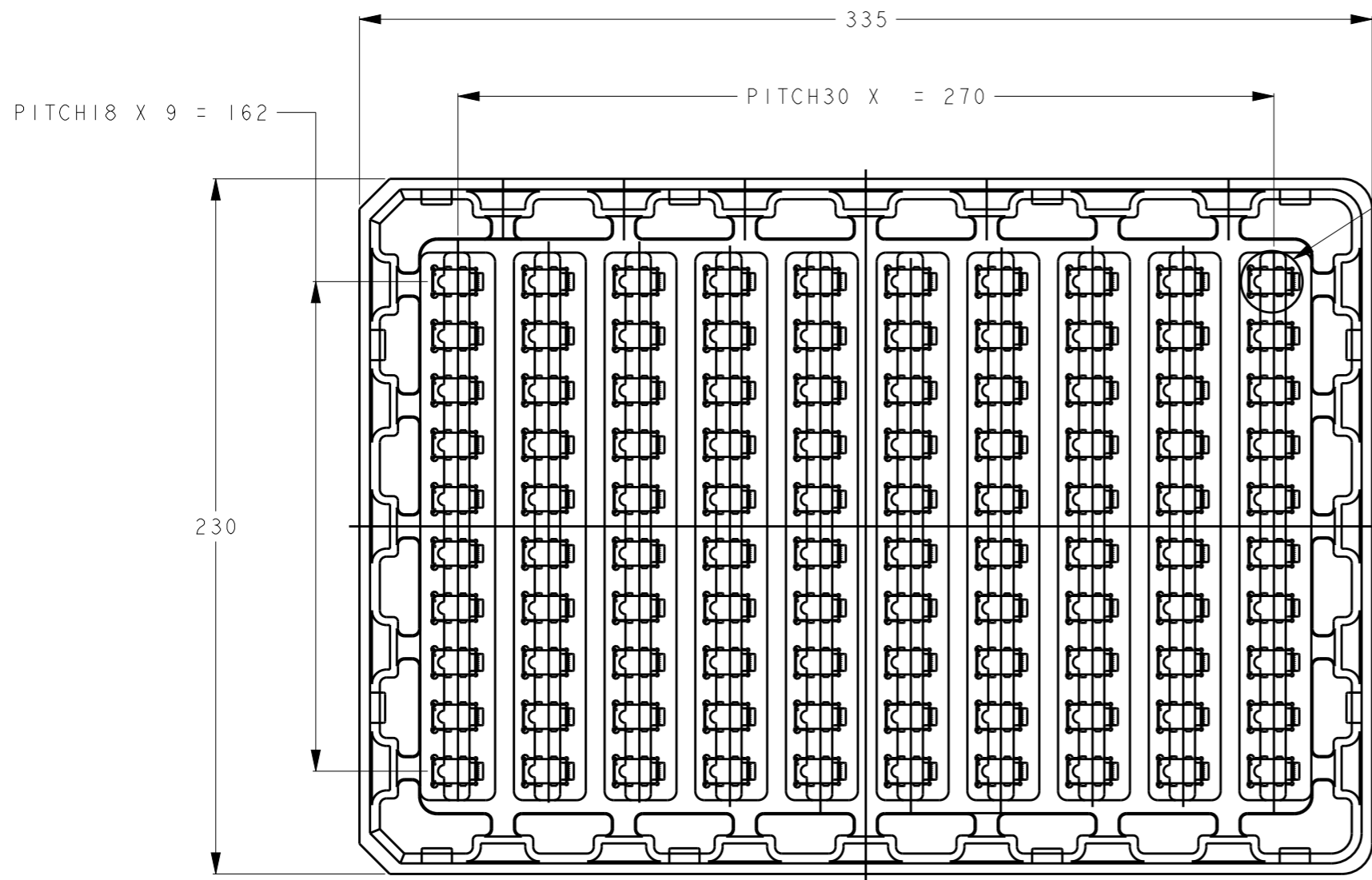
RELEASED FOR PUBLICATION

2015

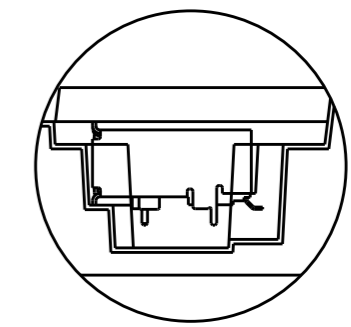
© COPYRIGHT 2015 BY Tyco Electronics Japan G.K. ALL RIGHTS RESERVED.

REVISIONS

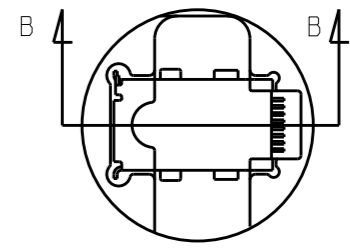
| P | LTR | DESCRIPTION | DATE | DWN | APVD |
|---|-----|-------------|------|-----|------|
| - | - | SEE SHEET 1 | - | - | - |



DETAIL A



B-B



DETAIL A



PACKING REFERENCE

THIS DRAWING IS A CONTROLLED DOCUMENT.

| | | | |
|----------------------------|--|--|-------------|
| DIMENSIONS: 単位: 耗 mm | | TOLERANCES UNLESS OTHERWISE SPECIFIED: 一般公差 ± 3 | |
| | | 0 PLC ± | 1 PLC ± |
| | | 2 PLC ± | 3 PLC ± |
| | | 4 PLC ± | ANGLES ± 5° |
| | | FINISH 仕上 | |
| | | MATERIAL 材料 | |

| |
|----------------------------|
| DWN |
| CHK |
| APVD |
| PRODUCT SPEC 製品規格 |
| APPLICATION SPEC 取付適用規格 |
| WEIGHT |
| CUSTOMER DRAWING |

STE TE Connectivity

NAME
名称 INDUSTRIAL MINI I/O CONN.
1.27MM PITCH 8P HDR ASSY SMT TRAY

| | | | |
|-----------------|----------------|-------------------------------|--------------------|
| SIZE A3 | CAGE CODE - | DRAWING NO 番号 C-2294415 | RESTRICTED TO - |
| SCALE 尺度 5:1 | | SHEET 3 OF 3 | REV B |

Mouser Electronics

Authorized Distributor

Click to View Pricing, Inventory, Delivery & Lifecycle Information:

[TE Connectivity:](#)

[2294415-1](#)