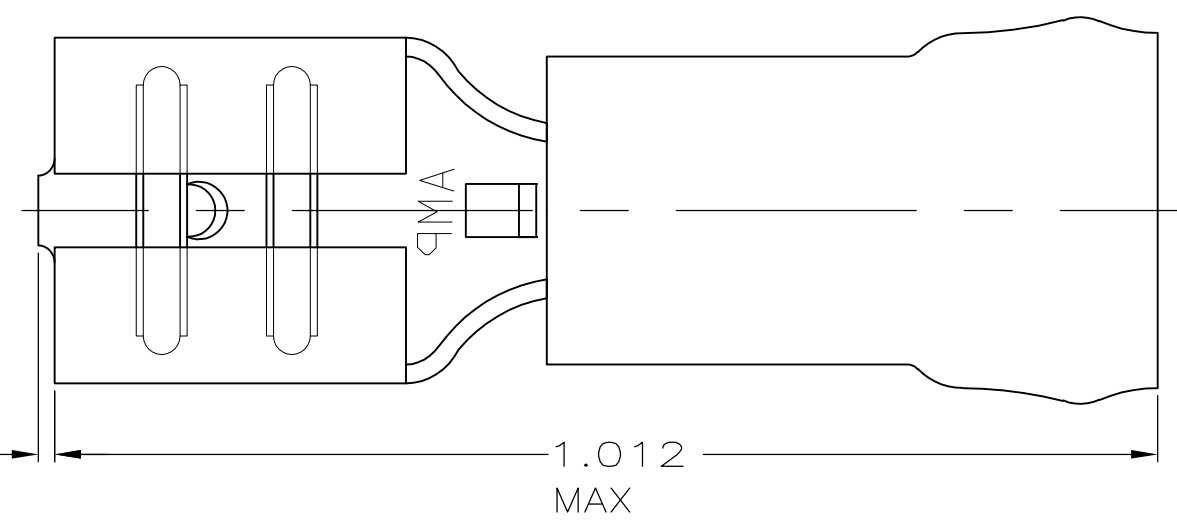


THIS DRAWING IS UNPUBLISHED. RELEASED FOR PUBLICATION
 © COPYRIGHT - By - ALL RIGHTS RESERVED.

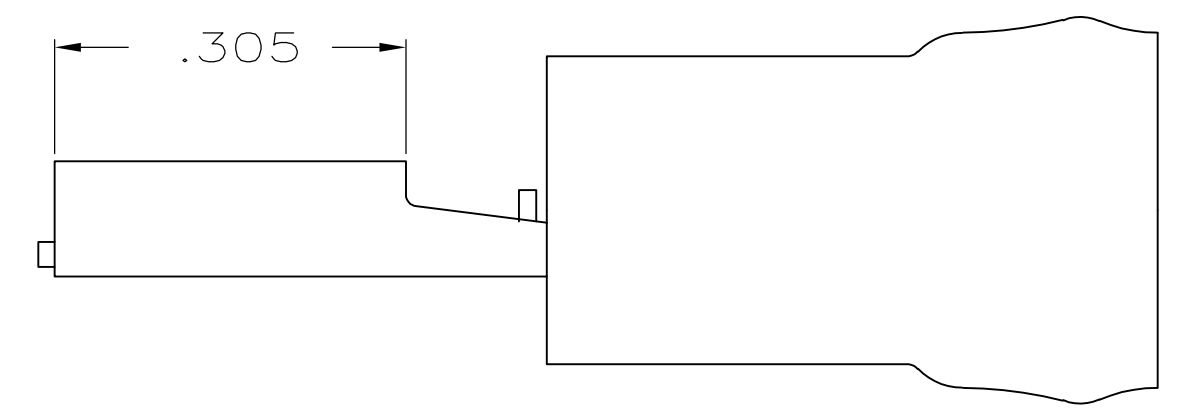
LOC	DIST	REVISIONS					
		P	LTR	DESCRIPTION	DATE	DWN	APVD
G	14		J2	REVISED PER ECO-11-004587	11MAR11	RK	HMR

D



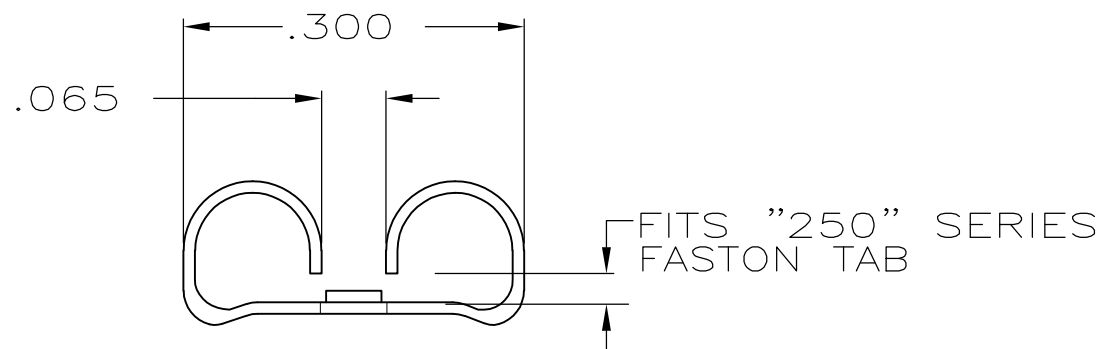
- 1. INSULATION DIA .250 MAX
- 2. FITS TAB .032 THK

C



AMP WIRE RANGE	FILE E66717	LR7189 Certified
12-10 AWG STRANDED	12-10 AWG STRANDED	12-10 AWG STRANDED

B



QTY	PACKAGE TYPE	PART NO
100	LOOSE PC,BOX	8-640907-1
2500	TAPE MOUNTED	640907-2
-	LOOSE PIECE	640907-1

A

TE CONNECTIVITY CUSTOMER SERVICE SYSTEM		MAX RECOMMENDED OPERATING TEMPERATURE: 105°C -	THIS DRAWING IS A CONTROLLED DOCUMENT.		DWN L OLMEDA 26JUN95	TE Connectivity RECEPTACLE, 250 SERIES, FASTON , PIDG , 12-10					
FOR ADDITIONAL PRODUCT INFORMATION OR COPIES OF DRAWING AND TECHNICAL DOCUMENTS	PRODUCT INFORMATION CENTER 1-800-522-6752		VOLTAGE RATING: 300V MAX -	DIMENSIONS: INCHES	TOLERANCES UNLESS OTHERWISE SPECIFIED:					CHK M ELLIS 26JUN95	NAME
FOR APPLICATION TOOLING INFORMATION	TOOLING ASSISTANCE CENTER 1-800-722-1111	CIRCULAR MIL AREA: 5,180-13,100 STRANDED		0 PLC ± - 1 PLC ± - 2 PLC ± .015 3 PLC ± - 4 PLC ± - ANGLES ± -	APVD B BARE 26JUN95	PRODUCT SPEC UL 310	SIZE	CAGE CODE	DRAWING NO	RESTRICTED TO	
FOR ORDER ENTRY	1-800-526-5142	MATERIAL BODY,BRASS .018		FINISH BODY,TIN	FINISH	PRODUCT SPEC APPLICATION SPEC 114-1002	WEIGHT -	A3	00779	C-640907	-
CUSTOMER DRAWING						SCALE	6:1	SHEET	1 OF 1	REV	J2

Mouser Electronics

Authorized Distributor

Click to View Pricing, Inventory, Delivery & Lifecycle Information:

[TE Connectivity:](#)

[640907-1](#) [8-640907-1](#)