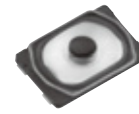


2.8 mm×1.9 mm SMD Light Touch Switches

Type: **EVPBL**



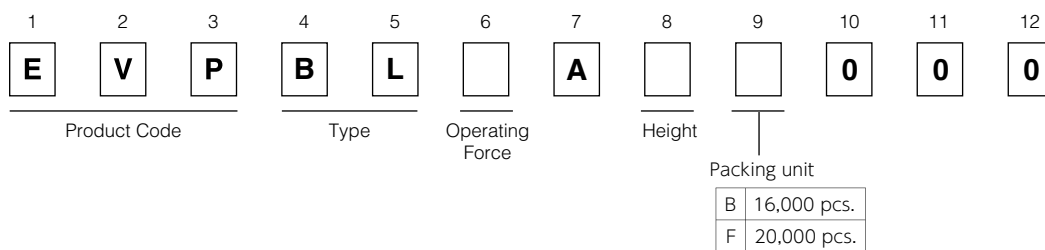
■ Features

- External dimensions: 2.8 mm×1.9 mm, Height 0.53 mm, 0.57 mm, 0.60mm
- High operability equipped with an actuator (push plate)
- IP67

■ Recommended Applications

- Operation switches for portable electronic equipments
(Mobile phone, Portable audio)

■ Explanation of Part Numbers(Standard specification only)



■ Specifications

| | | |
|-------------------------------|--|--|
| Type | Snap action/Push-on type SPST | |
| Electrical | Rating | 10 μA 2 V DC to 20 mA 15 V DC (Resistive load) |
| | Contact Resistance | 500 mΩ max. |
| | Insulation Resistance | 50 MΩ min. (at 100 V DC) |
| | Dielectric With standing Voltage | 250 V AC for 1 minute |
| | Bouncing | 10 ms max. (ON, OFF) |
| Mechanical | Operating Force | 1.6 N, 2.25 N, 3.0N |
| | Travel | 0.15 mm |
| Endurance | Operating Life | 300,000 cycles min. |
| Protective Structure | IP67(*1) Dust resistance : 4 types of talc 8 h, Water resistance : Immersion depth 1 m 30 min. | |
| Operating Temperature | -40 °C to +85 °C | |
| Storage Temperature | -40 °C to +85 °C (Bulk) -20 °C to +60 °C (Taping) | |
| Minimum Quantity/Packing Unit | 1.6 N, 2.25 N : 16,000 pcs. Embossed Taping (Reel Pack) 3.0 N : 20,000 pcs. Embossed Taping (Reel Pack) | |
| Quantity/Carton | 1.6 N, 2.25 N : 80,000 pcs. 3.0 N : 100,000 pcs. | |

Note: Non washable

(*1) IP67 : Switch shall not be operated during test.

Water or dust ingress shall be limited enough to prevent deleterious effect to the switch function.


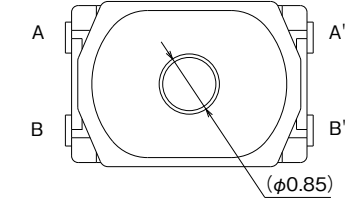
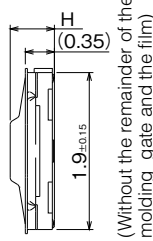
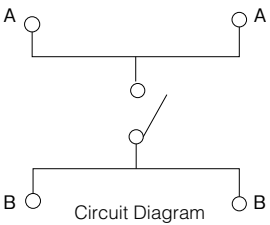
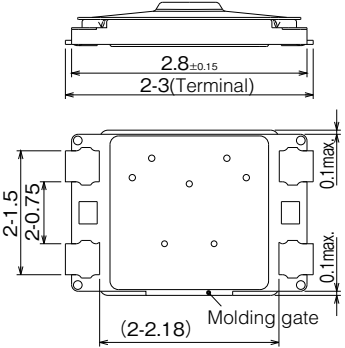
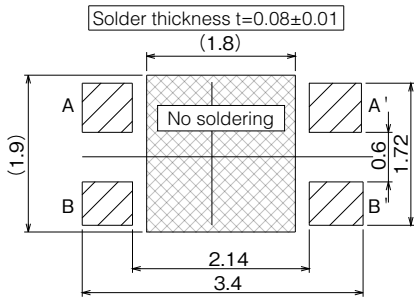
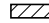


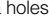
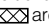
However, IP67 shall be guaranteed under single product state,

then there is a possibility that IP67 performance become impaired depending on your mounting condition or usage.

So, please ask us in advance, if the switch is applied to important usage for water and dust resistant.

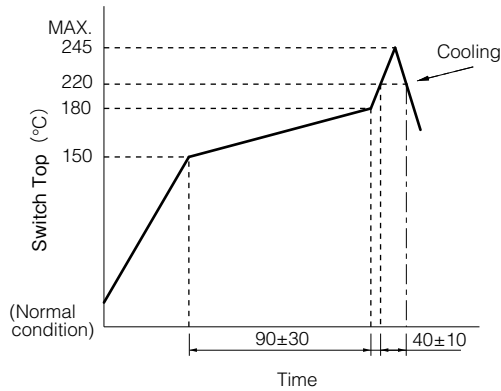
Design and specifications are each subject to change without notice. Ask factory for the current technical specifications before purchase and/or use.
Should a safety concern arise regarding this product, please be sure to contact us immediately.

■ Dimensions in mm (not to scale)

| | | | |
|--|--|--|---|
| <p>EVPBL (Embossed Taping)</p> | <p>General dimension tolerance : ± 0.1 () dimensions are reference dimensions. This reference specifications are subject to change.</p> | | |
|  |  <p>($\phi 0.85$)</p> |  <p>(Without the remainder of the molding gate and the film)</p> |  <p>Circuit Diagram</p> |
| |  <p>2.8± 0.15 2-3(Terminal)</p> <p>2-1.5 2-0.75</p> <p>0.1max. 0.1max.</p> <p>(2-2.18) Molding gate</p> | <p>This product is designed to be smaller than the conventional type, which lowered the film peel off strength. Therefore please avoid to apply force to a push plate from side, or/and avoid set-knob to touch push plate during insertion to a set-case.</p> | |
| |  <p>Solder thickness $t=0.08\pm 0.01$ (1.8)</p> <p>No soldering</p> <p>2.14 3.4</p> <p>0.6 1.72</p> <p>(1.9)</p> | <p> :Recommended land pattern area.  :No soldering area.</p> | <ul style="list-style-type: none"> Any land pattern or via holes shall not be provided at  area. If it's necessary to design land pattern or via holes at  area, please apply resist to them to protect their metal part completely. If their metal parts are not protected completely, short circuit failure may occur by solder ball. Beside, there should be convexoconcave by designing additional pattern, it may cause switch tilt, influence on solder-ability or flux intrusion after reflow soldering. Therefore, please study any influence of additional land pattern or via holes at  area in advance. |
| Part Numbers | Operating Force | H=Height | Operating Life |
| EVPBL2A1B000 | 1.6 N | 0.53 mm | 300,000 cycles |
| EVPBL9A2B000 | 2.25 N | 0.57 mm | 300,000 cycles |
| EVPBL5A8F000 | 3.0 N | 0.60 mm | 300,000 cycles |

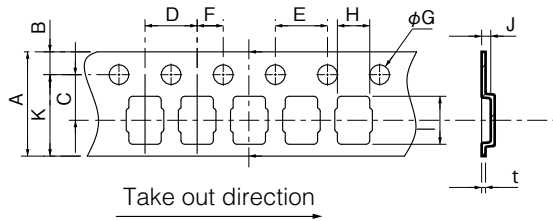
Design and specifications are each subject to change without notice. Ask factory for the current technical specifications before purchase and/or use.
Should a safety concern arise regarding this product, please be sure to contact us immediately.

■ Recommended Reflow Soldering Conditions



* Reflow temperature may vary by location even in the same reflow condition. Please check the reflow temperature at terminals and at the top of a switch to make sure the both temperatures are within the specification. If even one of them is out of the specifications, please adjust.

● Carrier tape



Taping condition : Lack of products in the middle of taping should be one MAX. but total quantity specified in the specifications should be secured.

Peeling off strength of top tape : It should be within 0.2N to 1.0N at 165 degree in peeling off angle.

Joint of carrier tape : One joint per one reel may exist.

Unit: mm

| Part No. | Height | A | B | C | D | E | F | G | H | I | J | K | t |
|----------|----------------------|---------|----------|---------|---------|---------|---------|-------------------------------------|---------|---------|---------|--------|---------|
| EVPBL | 0.53 0.57 0.60 | 8.0±0.3 | 1.75±0.1 | 3.5±0.1 | 4.0±0.1 | 4.0±0.1 | 2.0±0.1 | 1.5 ^{+0.1} _{-0.1} | 2.2±0.2 | 3.4±0.2 | 0.7±0.2 | (6.25) | 0.3±0.1 |

Requests to customers

Please refer to "the latest product specifications" when designing your product.

Requests to customers :

<https://industrial.panasonic.com/ac/e/salespolicies/>

Safety Precautions

When using our products, no matter what sort of equipment they might be used for, be sure to confirm the applications and environmental conditions with our specifications in advance.

Please contact

Panasonic Corporation

Electromechanical Control Business Division

■ 1006, Oaza Kadoma, Kadoma-shi, Osaka 571-8506, Japan
industrial.panasonic.com/ac/e/

Panasonic[®]

©Panasonic Corporation 2020