

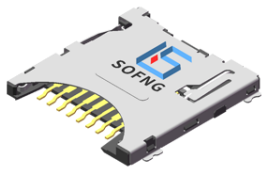
Operation: SMT&(Push-Push)自弹式 内焊常开型 T-Flash 连接器



LTEM NO.:TF-009 (Consumer Electronics)

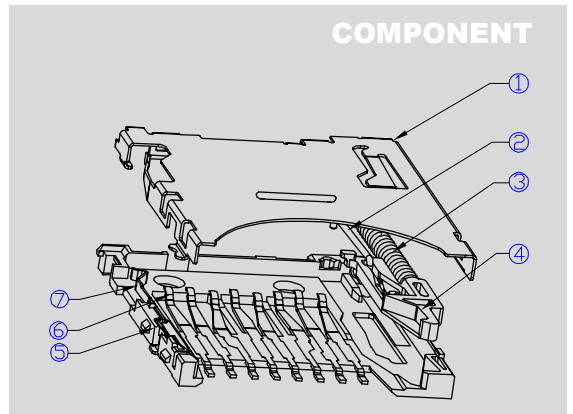
(15.00L × 14.15W × 1.45H & T-Flash Sockets)

MEMORY-CARD-SOCKETS



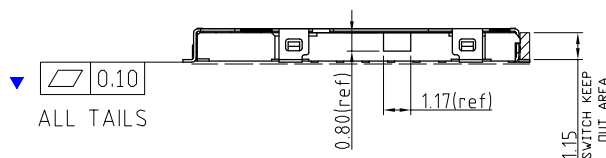
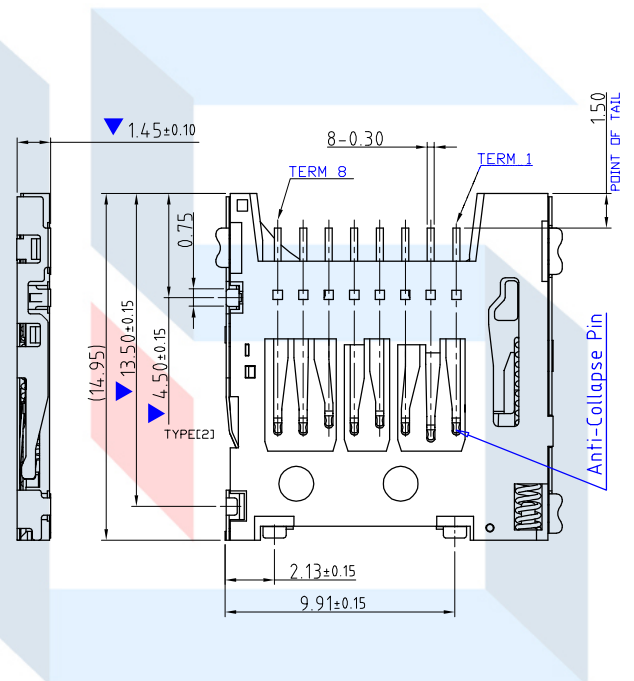
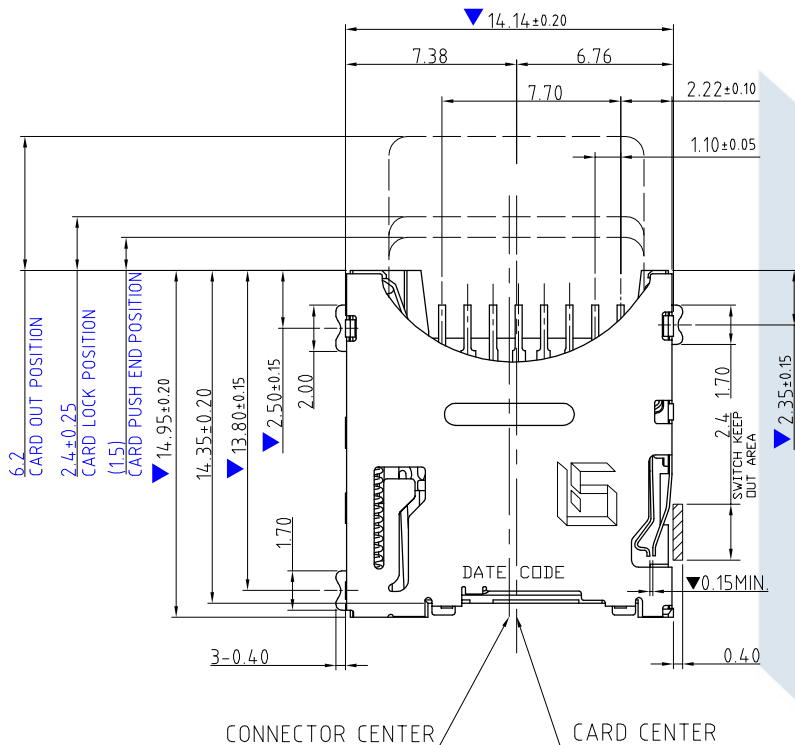
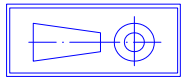
Technical parameter

PROJECT	LEVEL	A[better product]	B[average product]
		Contact Rating	
Electrical	Initial Contact Resistance	30mΩ max.	50mΩ max.
Properties	Insulation Resistance	100MΩ min.500V DC	
	Withstand Voltage	500V AC for 1 minute	350 V AC for 1 minut
Durable	There No Load	6,500 Cycles	5,500 Cycles
Performance	Rated Load	5,500 Cycles	4,000 Cycles
Storage temp.		-35℃~+85℃(Operating Temp:)	



Page1

Unit:mm



Material declaration			
No.	NAME	MATERIAL	PLATING
① A	外壳	SUS301-3/4H(t=0.15mm)不锈钢【焊点镀金 1u"】	G/F
② B	线簧	象嘎不锈钢线 OD=0.21mm	-
③ C	弹簧	SUS304(t=0.30mm)不锈钢	-
④ D	滑块	PA6T (Black)耐热尼龙塑料 THERMAL PLASTIC	SET
⑤ E	基座	LCP 30% (Black)耐热塑料 THERMAL PLASTIC	-
⑥ F	接触端子	C5191R-H (t=0.15mm)磷青铜【30u" 锡基镀金 1u"】	G/F
⑦ G	检测端子	C5191R-H (t=0.15mm)磷青铜【30u" 锡基镀金 1u"】	G/F

Operating Force

Inward
Exiting

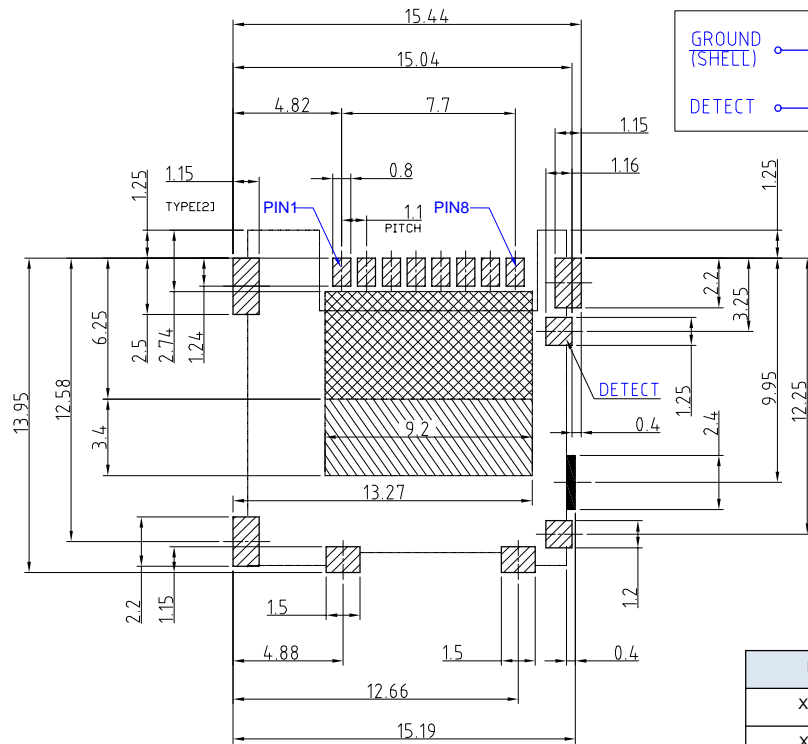
8.0~12.0N. (1N.=100gram-force)

6.0N. (1N.=100gram-force)

Solder-ability (Max.)

IR Reflow:250°C,5sec.

Manual:350°C,3sec.



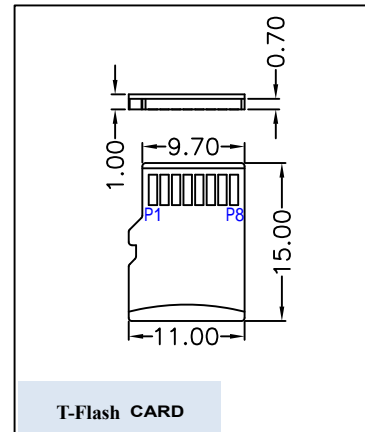
SOLDERPROHIBITED AREA
 PROHIBITED AREA
 PATTERN PROHIBITED AREA

Pin definition



T-Flash CARD

Pin No.	Pin NAME	Type	Description
PIN①	DAT2	I/O/PP	Date Line[Bit 2]
PIN②	CD/DAT3	I/O/PP	Card Detect Date Lin(Bit 3)
PIN③	CMD	PP	Command Response
PIN④	VDD	S	Supply voltage
PIN⑤	CLX	I	Clock
PIN⑥	Vss	S	Supply voltage ground
PIN⑦	DAT 0	I/O/PP	Date Line [Bit 0]
PIN⑧	DAT 1	I/O/PP	Date Line [Dit 1]



T-Flash CARD

本品不屬於危害性廢棄物,須丟棄時可以委託回收商予以回收再生處理。Products do not belong to hazardous waste,When waste can recycling processing

運送時本產品不要直接與水、酸鹼性化學物質接觸,或放置於含有以上氣體環境中,並且需要注意會有滑落、側翻的危險發生;運輸過程中不能有碰撞或者擠壓,須保證溫度與濕度適中[常溫 25°C,濕度在 50°C 以內],不可導致材料變形或氧化。

注記 NOTICE

1. 碩方公司擁有最終解釋權; The SOFNG company reserves the right of final interpretation;
2. 文件禁止外洩、轉載; Leaked and reproduced prohibited;
3. 未經授權修改無效。Modify is invalid.

