

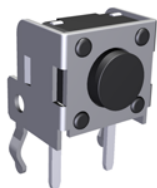
SWITCHES

Operation: DIP/卧式 中型 轻触开关 [柄长可定制]



LTEM NO.: TS-1102N-*** (Series)

(L6.0×W6.0 TACT-SWITCH)



表面插装 DIP

側向操作 LATERAL

精密部品 NICETY

可靠 STABILIZE

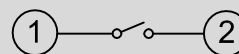
適合環保 RoHS

Technical parameter

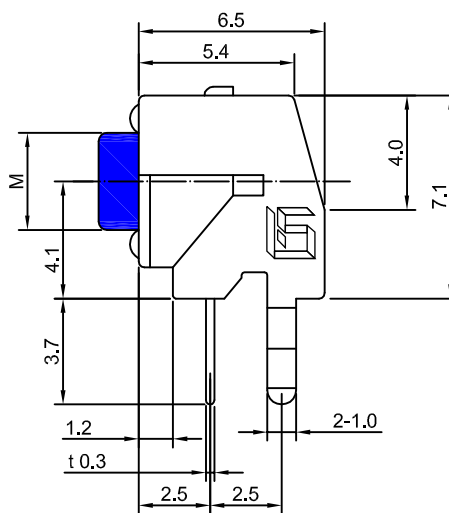
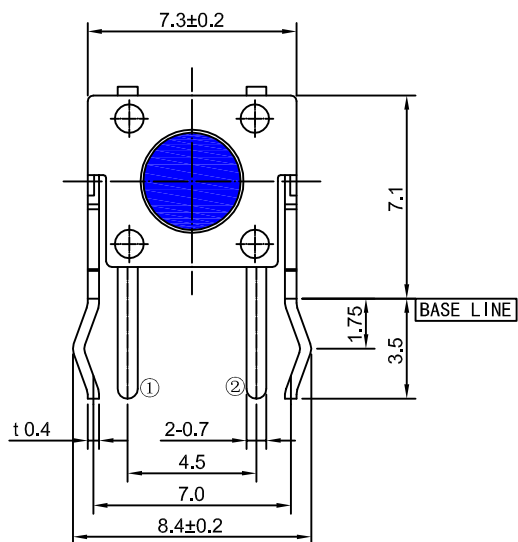
| PROJECT | LEVEL | A[better product] | | B[average product] | |
|---------------------|----------------------------|---|----------------------------|--------------------|--|
| | | | | | |
| Electrical | Contact Rating | 25mA, 24V DC | | | |
| | Initial Contact Resistance | 50mΩ max. | | | |
| Properties | Insulation Resistance | 100MΩ min.500V DC | Skey/PD: 100MΩ min.300V DC | | |
| | Withstand Voltage | 500V AC for 1 minute | 350 V AC for 1 minut | | |
| Durable Performance | There No Load | 115,000 Cycles | 100,000 Cycles | | |
| | Rated Load | 100,000 Cycles | 850,000 Cycles | | |
| | Storage temp. | -40℃~+85℃(Operating Temp:) | | | |
| | Operating Force | 1.6 / 2.6N. (1N.=100gram-force) | | | |
| | Heat Rrsistance | IR Reflow:255℃, 5sec. Manual :350℃, 3sec. | | | |

| Material declaration | | |
|----------------------|------|-------------------------|
| No. | NAME | Description |
| ① A | 拨柄 | PA6T (Black)热塑性 |
| ② B | 基座 | PA6T (Black)热塑性 |
| ③ C | 盖板 | 不锈钢 Q235-A |
| ④ D | 簧片 | 镀银&磷青铜 C5191/不锈钢 SUS304 |
| ⑤ E | 嵌件 | 镀银&C5191R-H 磷青铜[镀锡] |

CIRCUIT DIAGRAM



Unit:mm



| | H | M |
|--|-------|-----|
| | 4.3 | 3.5 |
| | 5.0 | 3.5 |
| | 5.5 | 3.5 |
| | 6.0 | 3.4 |
| | 6.5 | 3.4 |
| | 7.0 | 3.3 |
| | ~9.5 | 3.3 |
| | 10.0 | 3.0 |
| | ~16.0 | 3.0 |

