

TACT SWITCH

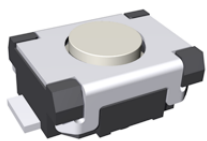
Operation: SMT/贴片式 微型 轻触开关 [柄长/操作力可定制]



LTEM NO.: TS-1807C-*** **

(Series)

(L4.00mm × W3.00mm TACT-SWITCH)



表面貼裝 SMT

正向操作 DOWN

精密部品 NICETY

可靠 STABILIZE

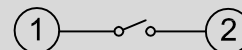
適合環保 RoHS

Technical parameter

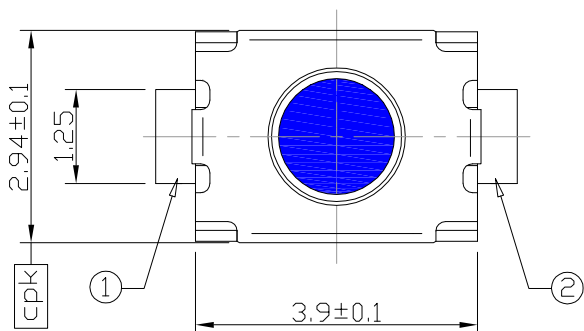
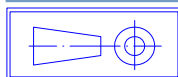
PROJECT	LEVEL	A[better product]	B[average product]
Electrical	Contact Rating	25mA, 24V DC	
	Initial Contact Resistance	50mΩ max.	
Properties	Insulation Resistance	100MΩ min.500V DC	Skey/PD: 100MΩ min.300V DC
	Withstand Voltage	300V AC for 1 minute	250 V AC for 1 minut
Durable Performance	There No Load	80,000 Cycles	60,000 Cycles
	Rated Load	65,000 Cycles	50,000 Cycles
Storage temp.		-35℃~+75℃(Operating Temp:)	
Operating Force		1.6 / 2.6N. (1N.=100gram-force)	
Heat Rrsistance		IR Reflow:255℃, 5sec. Manual:350℃, 3sec.	

Material declaration		
No.	NAME	Description
① A	嵌件	C5191R-H (t=0.12mm)鍍銀磷銅
② B	基座	LCP 30%(Buff)耐高温塑胶 UL94V-0
③ C	簧片	覆銀&不銹鋼 SUS304
④ D	拔柄	LCP 30%(Gray)耐高温塑胶 UL94V-0
⑤ E	盖板	H62 鍍銀黃銅(t=0.15mm)
⑥ C	覆膜	KTC 聚酰亞胺 Polyimide

CIRCUIT DIAGRAM

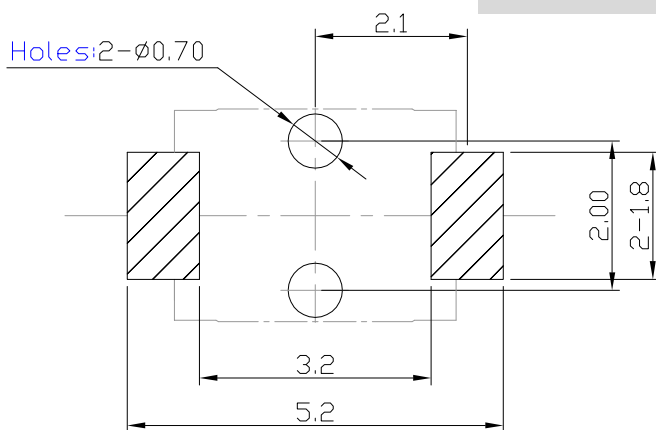


Unit:mm



SMT SOLDER AREA

P.C.B LAYOUT



DECIMALS	ANGLES
.X :±0.15	X.° :±1.5°
.XX :±0.10	X.X° :±1.0°
.XXX :±0.05	.XXX° :±0.5°

H
2.0
2.5

