

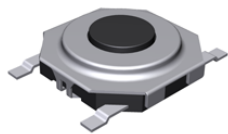
# TACT SWITCH

Operation: SMT/贴片式 中小型 轻触开关 [柄长/操作力可定制]



LTEM NO.: TS-1187-\*\* \*\* (Series)

(L5.20mm × W5.20mm TACT-SWITCH)



## Technical parameter

PROJECT	LEVEL	A[better product]	B[average product]
Electrical	Contact Rating	25mA, 24V DC	
Properties	Initial Contact Resistance	50mΩ max.	
Durable Performance	Insulation Resistance	100MΩ min. 500V DC	Skey/PD: 100MΩ min. 300V DC
	Withstand Voltage	300V AC for 1 minute	250 V AC for 1 minut
Durable Performance	There No Load	150,000 Cycles	100,000 Cycles
	Rated Load	125,000 Cycles	85,000 Cycles
	Storage temp.	-35℃~+75℃(Operating Temp: )	
	Operating Force	1.6 / 2.6N. (1N.=100gram-force)	
	Heat Rrsistance	IR Reflow: 255℃, 5sec. Manual: 350℃, 3sec.	

Material declaration		
No.	NAME	Description
① A	基座	LCP 30%(Gray)耐高温塑胶 UL94V-0
② B	簧片	镀银&不锈钢 SUS304
③ C	覆膜	KTC 聚酰亚胺 Polyimide
④ D	拨柄	H59 黄铜(Qsn6.5-01) / PA 尼龙
⑤ E	盖板	不锈钢 SUS301-3/4H(t=0.15mm)
⑥ F	嵌件	C5191R-H (t=0.20mm)镀银磷铜

表面贴装 SMT

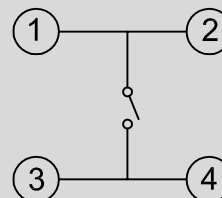
正向操作 DOWN

精密部品 NICETY

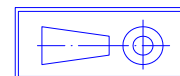
可靠 STABILIZE

適合環保 RoHS

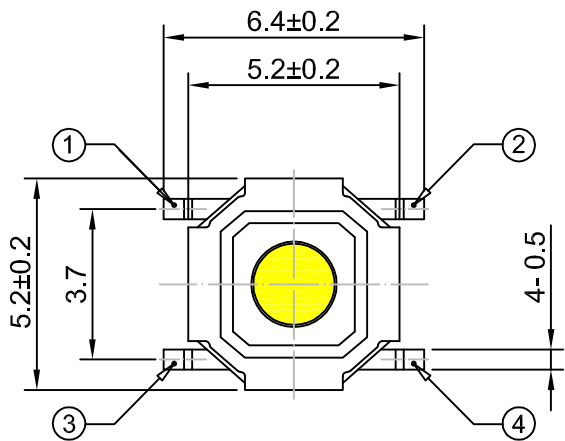
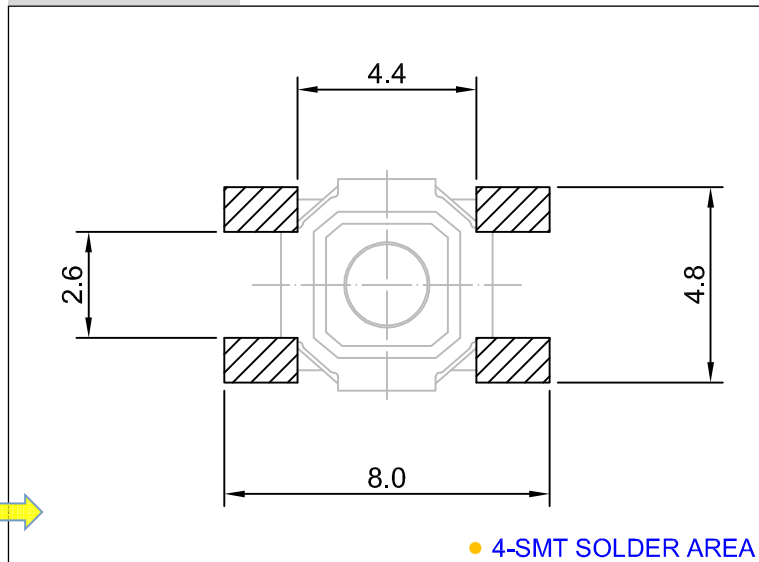
## CIRCUIT DIAGRAM



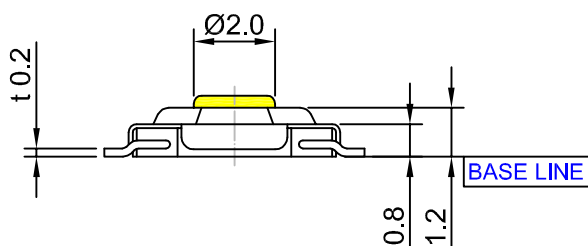
Unit:mm



## P.C.B LAYOUT



H
1.5
1.7
2.0
2.5
3.0
~
6.5



DECIMALS	ANGLES
.X :±0.20	X.° :±1.5°
.XX :±0.10	X.X° :±1.0°
.XXX :±0.05	.XXX° :±0.5°

