

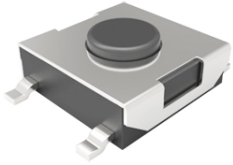
# TACT SWITCH

**Operation:** SMT/贴片式 中型 轻触开关 [柄长/操作力可定制]



**LTEM NO.:** TS-1157-\*\* (Series)

(L6.20mm × W6.20mm TACT-SWITCH)



表面贴装 SMT

正向操作 DOWN

精密部品 NICETY

可靠 STABILIZE

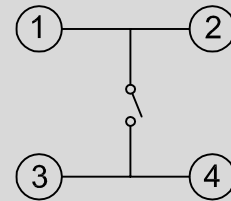
適合環保 RoHS

## Technical parameter

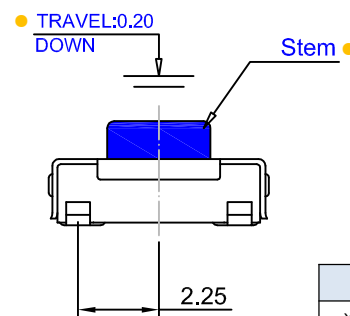
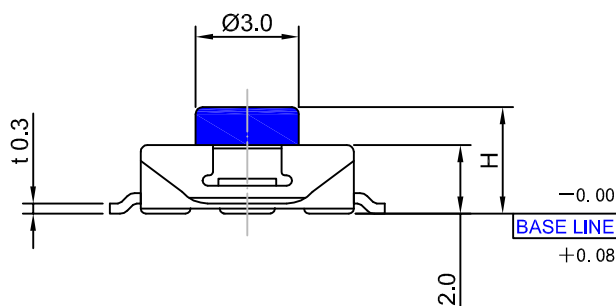
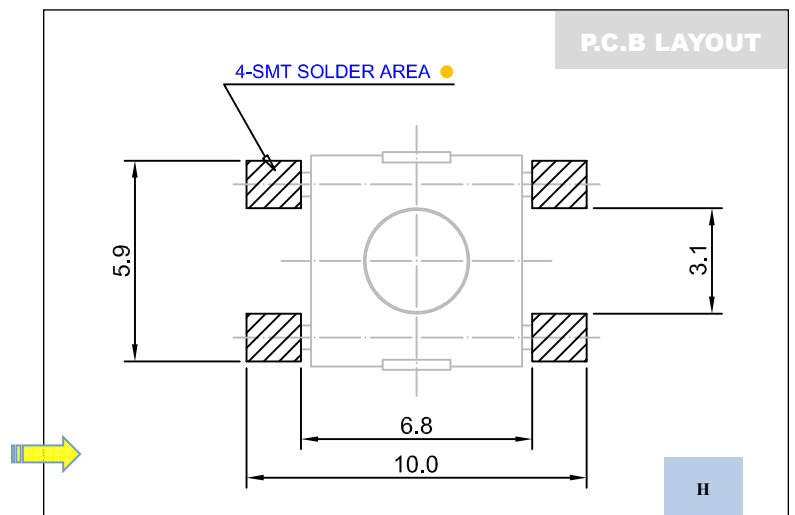
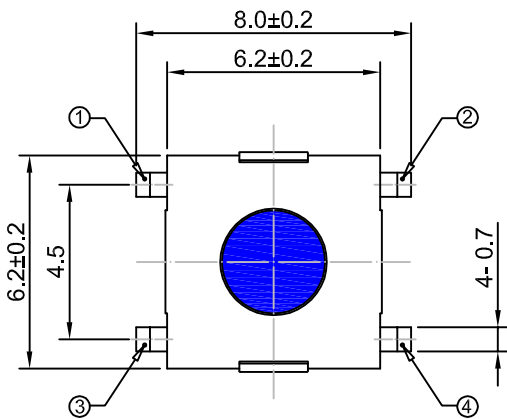
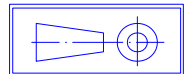
PROJECT	LEVEL	A[better product]		B[average product]	
Electrical	Contact Rating	25mA, 24V DC			
	Initial Contact Resistance	50mΩ max.			
Properties	Insulation Resistance	100MΩ min.500V DC	Skey/PD: 100MΩ min.300V DC		
	Withstand Voltage	300V AC for 1 minute	250 V AC for 1 minut		
Durable Performance	There No Load	120,000 Cycles	100,000 Cycles		
	Rated Load	100,000 Cycles	85,000 Cycles		
	Storage temp.	-35℃~+75℃(Operating Temp: )			
	Operating Force	1.6 / 2.6N. (1N.=100gram-force)			
	Heat Rrsistance	IR Reflow:255℃, 5sec. Manual:350℃, 3sec.			

Material declaration		
No.	NAME	Description
① A	拨柄	PA6T (Black)热塑性
② B	基座	PA6T (Black)热塑性
③ C	盖板	不锈钢 Q235-A
④ D	簧片	镀银&磷青铜 C5191/不锈钢
⑤ E	嵌件	镀银&黄铜

## CIRCUIT DIAGRAM



Unit:mm



DECIMALS	ANGLES
.X	:±0.20
.XX	:±0.10
.XXX	:±0.05
X.°	:±1.5°
XX.°	:±1.0°
.XXX°	:±0.5°