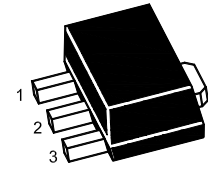




Features.

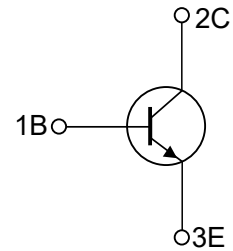
- High current output up to 3A
- Low saturation voltage
- Complement to 2SB772SQ



Applications

These devices are intended for use in audio frequency power amplifier and low speed switching applications

PIN1: Base PIN 2: Collector PIN 3: Emitter



Absolute Maximum Ratings (Ta=25°C unless otherwise specified)

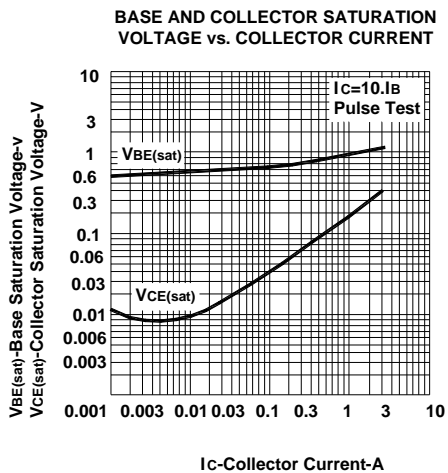
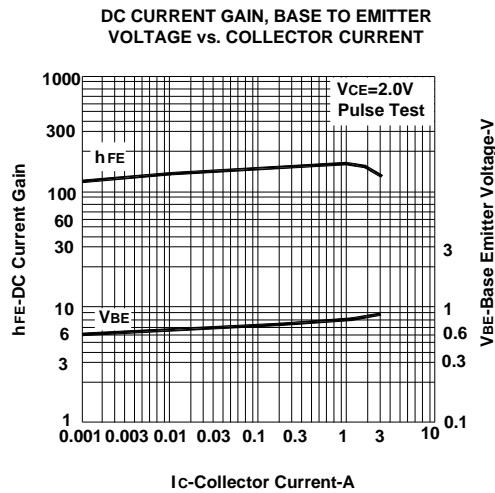
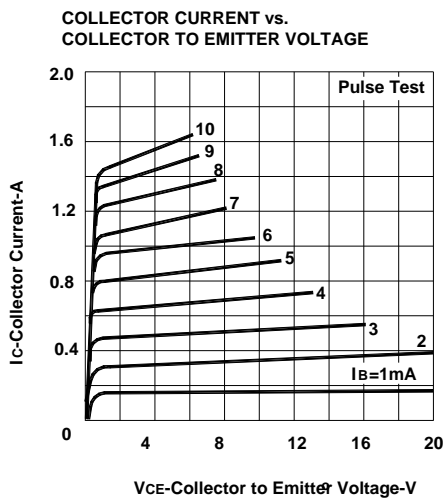
Parameter	Symbol	Rating	Unit
Collector to Base Voltage	V_{CB0}	40	V
Collector to Emitter Voltage	V_{CE0}	30	V
Emitter to Base Voltage	V_{EB0}	5	V
Collector Current-Continuous	I_C	3	A
Peak Collector Current	I_{CP}	7	A
Total Power Dissipation	P_D	1	W
Total Power Dissipation	$P_D (T_c=25^\circ\text{C})$	10	W
Junction Temperature	T_J	150	°C
Storage Temperature Range	T_{STG}	-55~150	°C



Electrical Characteristics (Ta=25°C unless otherwise specified)

Parameter	Symbol	Min.	Typ.	Max.	Unit	
DC Current Gain at V _{CE} = 2 V, I _C = 20 mA at V _{CE} = 2 V, I _C = 1 A						
	h _{FE}	30	-	-	-	
	Current Gain Group R	h _{FE}	60	-	120	-
	Q	h _{FE}	100	-	200	-
	P	h _{FE}	160	-	320	-
E	h _{FE}	200	-	400	-	
Collector Base Cutoff Current at V _{CB} = 30 V	I _{CBO}	-	-	1	μA	
Emitter Base Cutoff Current at V _{EB} = 3 V	I _{EBO}	-	-	1	μA	
Collector Emitter Saturation Voltage at I _C = 2 A, I _B = 0.2 A	V _{CE(sat)}	-	-	0.5	V	
Base Emitter Saturation Voltage at I _C = 2 A, I _B = 0.2 A	V _{BE(sat)}	-	-	2	V	
Gain Bandwidth Product at V _{CE} = 5 V, I _C = 0.1 A	f _T	-	90	-	MHz	
Output Capacitance at V _{CB} = 10 V, f = 1 MHz	C _{ob}	-	45	-	pF	

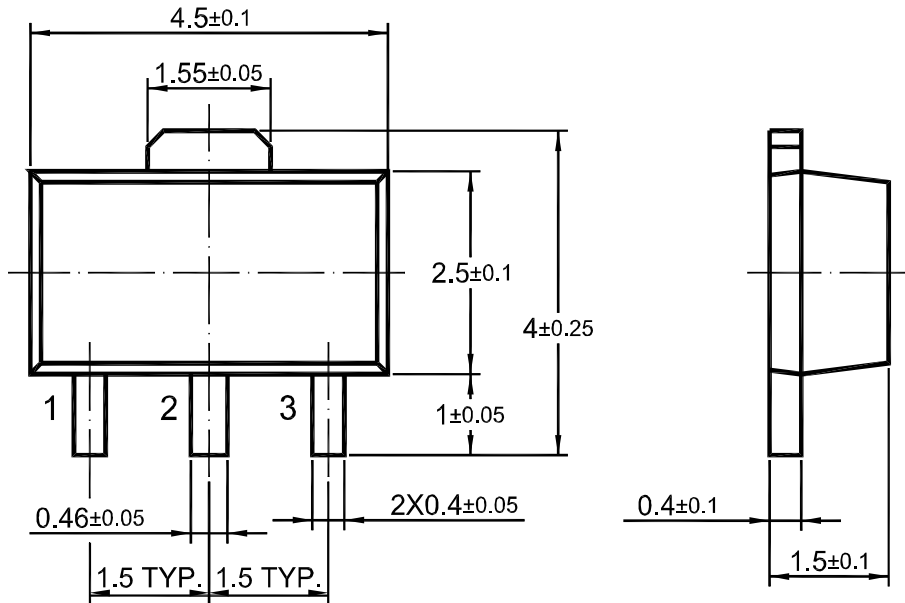
Typical Characteristic Curves





Package Outline

SOT-89



Ordering information

Device	Package	Shipping
2SD882SQ	SOT-89	1000PCS