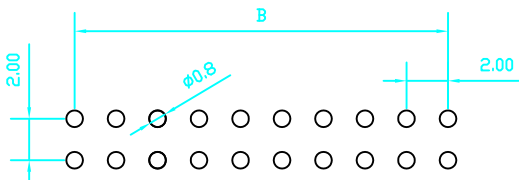
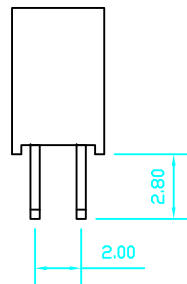
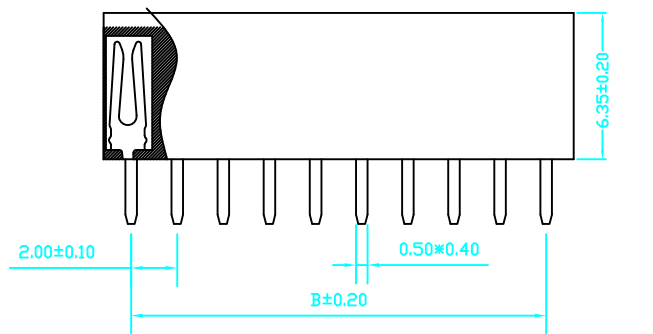
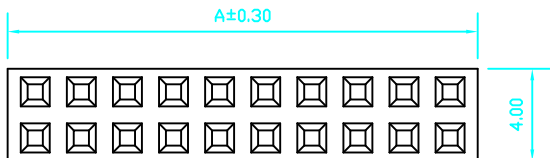


ROHS环保

SPECIFICATIONS:

Current Rating: 2AMP
 Insulator Resistance: 1000Megohms min
 Voltage Rating: AC 500V
 Operating Temperature: -40° ~+105°
 Max Processing Temp: 260° for 3~5 seconds
 Contact Material: Brass
 Insulator Material: PA6T
 Plating: G/F plated over Nickel



P. C. B. LAYOUT

Contacts Per Row	Dimensions		Contacts Per Row	Dimensions	
	A	B		A	B
2*2pin	4.40	2.0	2*21pin	42.40	40.0
2*3pin	6.40	4.0	2*22pin	44.40	42.0
2*4pin	8.40	6.0	2*23pin	46.40	44.0
2*5pin	10.40	8.0	2*24pin	48.40	46.0
2*6pin	12.40	10.0	2*25pin	50.40	48.0
2*7pin	14.40	12.0	2*26pin	52.40	50.0
2*8pin	16.40	14.0	2*27pin	54.40	52.0
2*9pin	18.40	16.0	2*28pin	56.40	54.0
2*10pin	20.40	18.0	2*29pin	58.40	56.0
2*11pin	22.40	20.0	2*30pin	60.40	58.0
2*12pin	24.40	22.0	2*31pin	62.40	60.00
2*13pin	26.40	24.0	2*32pin	64.40	62.0
2*14pin	28.40	26.0	2*33pin	66.40	64.0
2*15pin	30.40	28.0	2*34pin	68.40	66.0
2*16pin	32.40	30.0	2*35pin	70.40	68.0
2*17pin	34.40	32.0	2*36pin	72.40	70.0
2*18pin	36.40	34.0	2*37pin	74.40	72.0
2*19pin	38.40	36.0	2*38pin	76.40	74.0
2*20pin	40.40	38.0	2*39pin	78.40	76.0
			2*40pin	80.40	78.0

topt 深圳市鑫冠辉电子有限公司

一般公差 COMMONLY TOLERANCES	图号 DWG. NAME	XGH-DWG-A3419	绘图 PLOT	LXW	比例 SCALE	1:1
X. ±0.30	料号 PART NO.	PF2-J2XX-SAB-G0-TR	审核 CHECKED	LIYAN	单位 UNIT	MM
X.X ±0.25	品名 TITLE	排母2.0*6.35 2*NP 180度 PC2.8mm	核准 APPROVED		版次 REV.	A.1
X.XX ±0.20			日期 DATE	2019-02-20	页次 SHEET	01
X.XXX ±0.15			日期 DATE	2019-02-20	图幅 MAPS	A4
ANGLE ±2'						

编号 DWG.NO.	标记 REV. LTR.	日期 DATE	变更内容 REVISION NOTES	签名 SIGN
---------------	-----------------	------------	------------------------	------------