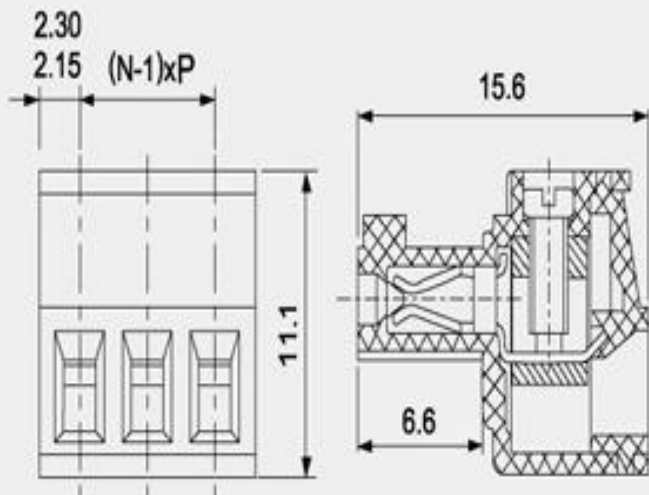


Model:DB2EK-3.5/3.81

Pitch=3.5/3.81  
Unit:mm  
N=Poles



### 电气特性/Electrical Specification

额定参数/Rated	300V, 8A (250V, 7A)
接触电阻/Contact resistance	20mΩ Max.
绝缘电阻/Insulation resistance	5000MΩ Min.
抗电强度/Dielectric strength	2000VAC Min. for 60 seconds

### 机械特性/Mechanical Specification

使用温度/Temp range	-40℃ ~ +105℃
扭 矩/Torque	1.7Lb-in (0.2Nm)
线 径/Wire range	26-16AWG (1.5mm <sup>2</sup> )
剥线长度/Strip length	6-7mm

### 部件材质/Part & Material

塑 件/Body	PA66, UL94 V-0
螺 丝/Screw	钢, 镀锌/Steel, Zn plating
方 块/Clamp	黄铜, 镀镍/Brass, Ni plating
端 子/Terminal	磷铜, 镀镍/Bronze, Ni plating

包装形式/Packing: 采取标准纸箱包装/Standard carton

### 订购方式/Ordering Information

—  —  P —  — R

产品型号/Part No.    端子间距/Pitch    极数/Poles  
02~24    颜色/Color    客户需求/Customer Request

灰色/Grey	1	绿色/Green	4	透明/Transp.	7
蓝色/Blue	2	橙色/Orange	5	黄色/Yellow	8
黑色/Black	3	红色/Red	6	白色/White	9