

DESCRIPTION

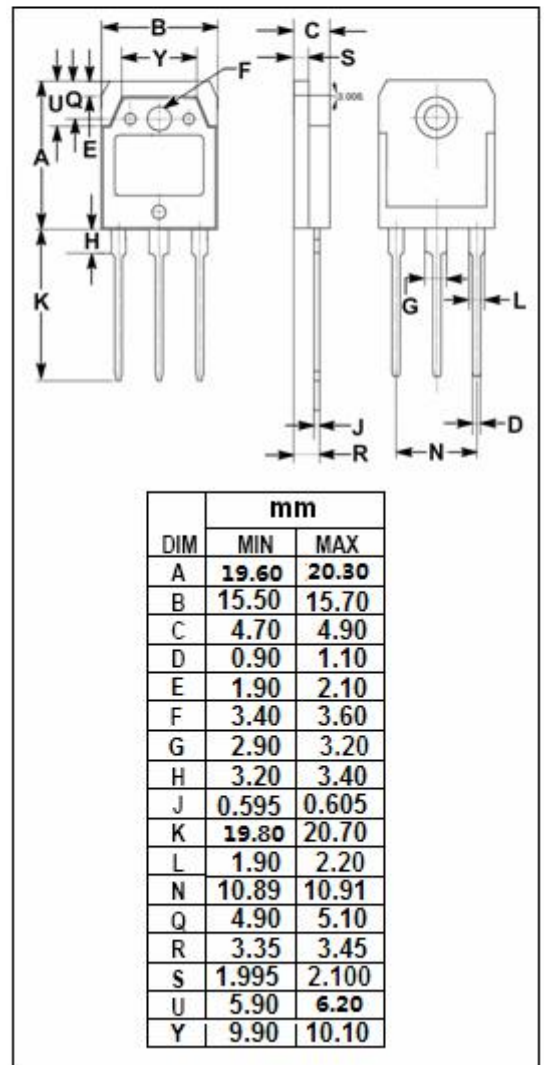
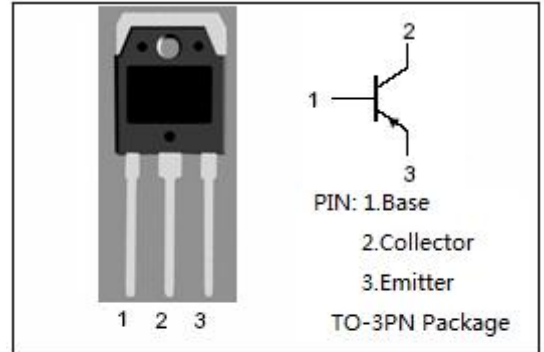
- High Collector-Emitter Breakdown Voltage-
 $V_{(BR)CEO} = -150V(\text{Min})$
- Good Linearity of h_{FE}
- Complement to Type 2SC2837

APPLICATIONS

- For audio and general purpose applications

ABSOLUTE MAXIMUM RATINGS($T_a=25^\circ\text{C}$)

SYMBOL	PARAMETER	VALUE	UNIT
V_{CBO}	Collector-Base Voltage	-150	V
V_{CEO}	Collector-Emitter Voltage	-150	V
V_{EBO}	Emitter-Base Voltage	-5	V
I_C	Collector Current-Continuous	-10	A
I_B	Base Current-Continuous	-2	A
P_C	Collector Power Dissipation @ $T_c=25^\circ\text{C}$	100	W
T_J	Junction Temperature	150	$^\circ\text{C}$
T_{stg}	Storage Temperature Range	-55~150	$^\circ\text{C}$



ELECTRICAL CHARACTERISTICS

$T_c=25^{\circ}\text{C}$ unless otherwise specified

SYMBOL	PARAMETER	CONDITIONS	MIN	TYP.	MAX	UNIT
$V_{(BR)CEO}$	Collector-Emitter Breakdown Voltage	$I_C = -25\text{mA} ; I_B = 0$	-150			V
$V_{CE(sat)}$	Collector-Emitter Saturation Voltage	$I_C = -5.0\text{A} ; I_B = -0.5\text{A}$			-2.0	V
I_{CBO}	Collector Cutoff Current	$V_{CB} = -150\text{V} ; I_E = 0$			-100	μA
I_{EBO}	Emitter Cutoff Current	$V_{EB} = -5\text{V} ; I_C = 0$			-100	μA
h_{FE}	DC Current Gain	$I_C = -3\text{A} ; V_{CE} = -4\text{V}$	50		180	
C_{OB}	Output Capacitance	$I_E = 0 ; V_{CB} = -80\text{V} ; f = 1.0\text{MHz}$		110		pF
f_T	Current-Gain—Bandwidth Product	$I_E = 1\text{A} ; V_{CE} = -12\text{V}$		60		MHz

Switching times

t_{on}	Turn-on Time	$I_C = -5\text{A} , R_L = 12\Omega , I_{B1} = -I_{B2} = -0.5\text{A} , V_{CC} = -60\text{V}$		0.25		μs
t_{stg}	Storage Time			0.8		μs
t_f	Fall Time			0.2		μs

◆ **h_{FE} Classifications**

O	P	Y
50-80	80-130	130-180