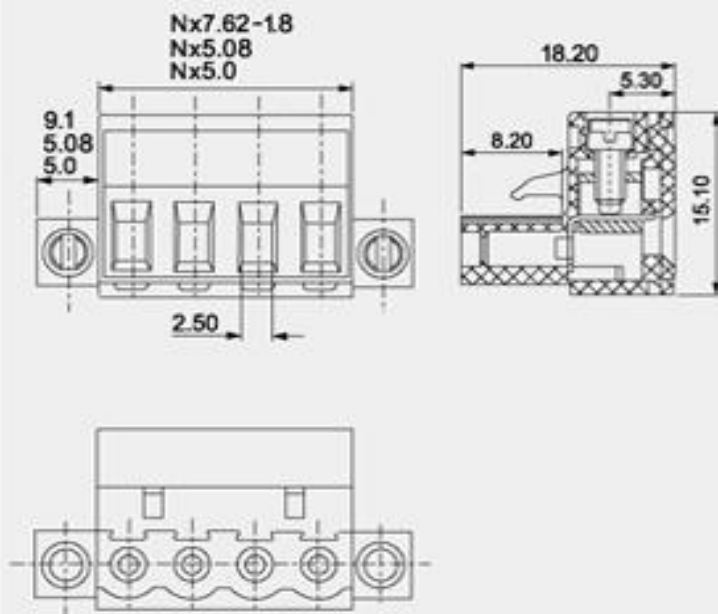


Model:DB2EKM-5.0/5.08

Pitch=5.0/5.08/7.62
Unit:mm
N=Poles



电气特性/Electrical Specification

额定参数/Rated	300V, 10A (320V/400V, 20A)
接触电阻/Contact resistance	20mΩ Max.
绝缘电阻/Insulation resistance	5000MΩ Min.
抗电强度/Dielectric strength	2500VAC Min. for 60 seconds

机械特性/Mechanical Specification

使用温度/Temp range	-40℃ ~ +105℃
扭 矩/Torque	3.5Lb-in (0.4Nm)
线 径/Wire range	22-14AWG (2.5mm ²)
剥线长度/Strip length	7-8mm

部件材质/Part & Material

塑 件/Body	PA66, UL94V-0
螺 丝/Screw	钢, 镀锌/Steel, Zn plating
方 块/Clamp	黄铜, 镀镍/Brass, Ni plating
端 子/Terminal	磷铜, 镀镍/Bronze, Ni plating

包装形式/Packing: 采取标准纸箱包装/Standard carton

订购方式/Ordering Information

— — P — — R

产品型号/Part No. 端子间距/Pitch 极数/Poles
02~24 颜色/Color 客户需求/Custmor Request

灰色/Grey	1	绿色/Green	4	透明/Transp.	7
蓝色/Blue	2	橙色/Orange	5	黄色/Yellow	8
黑色/Black	3	红色/Red	6	白色/White	9