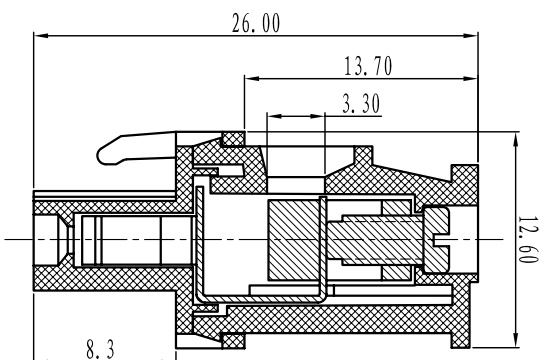
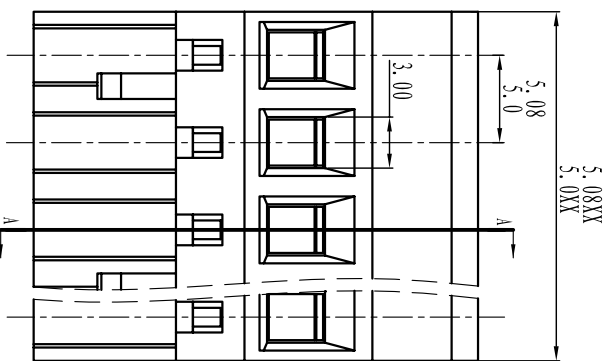


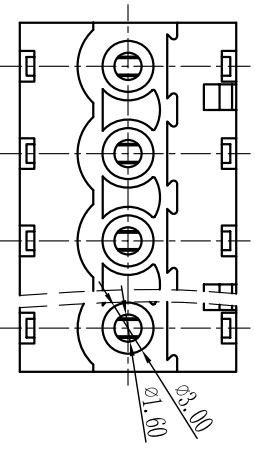


Cixi Dibo Electronics Co., LTD

产品规格书
product specification



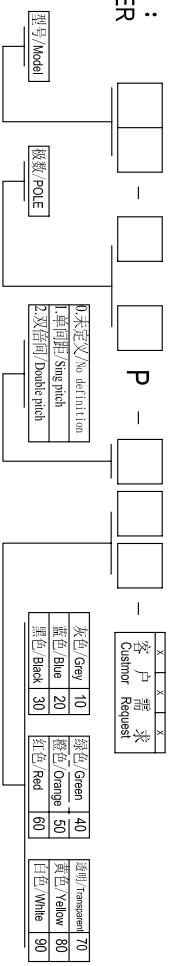
SECTION A-A



TOLERANCES EXCEPT AS NOTED

	linear dimension	fillet	chamfer	短角	短角边	倒角	倒角边	倒角边	倒角边
variable range	6 to 30	6 to 120	6 to 480	6 to 120	6 to 120	6 to 120	6 to 120	6 to 120	6 to 120
tolerance	±0.1	±0.2	±0.3	±0.5	±0.9	±0.2	±0.5	±1	1° 30' 20' 10' 0.5 0.025 0.06 0.12 0.4

订购方式：
HOW TO ORDER



电气性能/Electrical

- 参考标准/Standard: UL IEC
- 额定电压/Rated voltage: 300V 320V
- 额定电流/Rated current: 15A 20A
- 接触电阻/Contact resistance: 20mΩ
- 使用线径/Wire range: 28-14AWG 2.5mm²
- 耐电压/Withstanding voltage: AC2000V/1Min
- 绝缘电阻/Insulation resistance: 500MΩ/DC500V

机械性能/Mechanical

- 温度范围/Temp Range: -40° C+105° C
- 扭矩/Torque: 0.5Nm (4.51b in)
- 剥线长度/Strip length: 7-8mm

尺寸/Dimensions

- 间距/Pitch: 5.0mm, 5.08mm
- 极数/Poles: 02P-24P
- 材质及电镀/Material 塑料/Housing: PA66, UL94V-0
- 螺丝/Screws: M3, steel Zinc plated
- 夹子/Clamp: Brass, Ni plated
- 方块/wire guard: Phosphor bronze, Ni plated

单位/UNITS	mm	尺寸/SIZE	A4	比例/SCALE	第一视角/FIRST ANGLE PROJECTION
Cixi Dibo Electronics Co., LTD					
名称/NAME	DB2EKA-5.0/5.08				