

规格书 Specification

品名
Model name

HNR-1255

PROPRIETARY
Huaneng Electronics co.,Ltd.

CONFIDENTIAL
Huaneng Electronics co.,Ltd.

Version #	Spec V1.0
制作日期 Date	2020-4-10
准备 Prepared	Yang shu yin Acoustic specialist,R&D Dept.
审核 Approved	Zhang chang hua Executive Manager,R&D Dept.



江苏华能电子有限公司

*Components Operating Div.
Huaneng Electronic co., Ltd.*

1.适用范围：本规范适用于HNR-1255蜂鸣器。

This specifications apply the HNR-1255buzzer.

2.基本规格/General specification

项目/Item	规格/Spec	条件/Condition
1 额定电压 Rated voltage	12v	
2 工作电压 Operation voltage	1~30VAC	
3 声压 Sound Pressure Level=SPL	≥85 at 4.0KHz Square Wave 5Vp-p	测试环境：标准状态，标准驱动电路， 额定电压 测试距离：0.1m Standard State,Standard Drive Circuit. Rated voltage,Distance at 0.1m
4 振荡频率 Oscillation frequency	4000±500Hz	
5 电流 Mean Current Consumption	≤3	4.0KHz Square Wave 5Vp-p
6 工作温度范围 Range of operation temperature	-20~+70°C	
7 保存温度范围 Range of preservation temperature	-30~+85°C	
8 电容量 Capacitance at 1000Hz (nF)	12±30%	
9 外部尺寸 Externals size	Φ12*5.5	参阅附图 Refer to the attached drawing
10 重量 Mass	0.6g	

☆标准状态：常温（15~35°C），湿度（25~85%相对湿度），空气压力（860~1060hpa）

在假设的情况判断，测试是一基本状态下进行。

Standard State: Ordinary Temp(15~35°C), Huidity(25~85%RH), Air pressure(860~1060hPa)

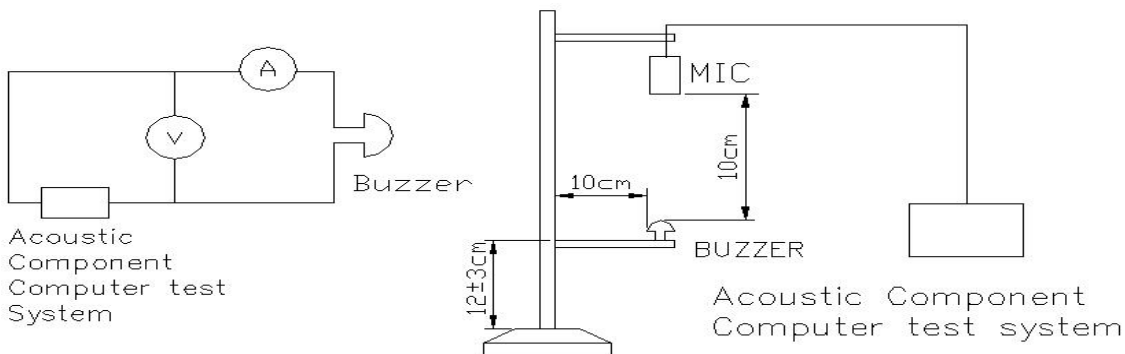
In case of doubtful judgment, the test is re-performed under Basic State.

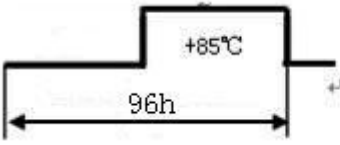
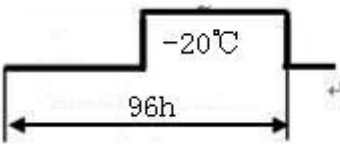
☆基本情况：温度。（20±2°C），湿度（60~70%相对湿度），空气压力（860~1060hpa）

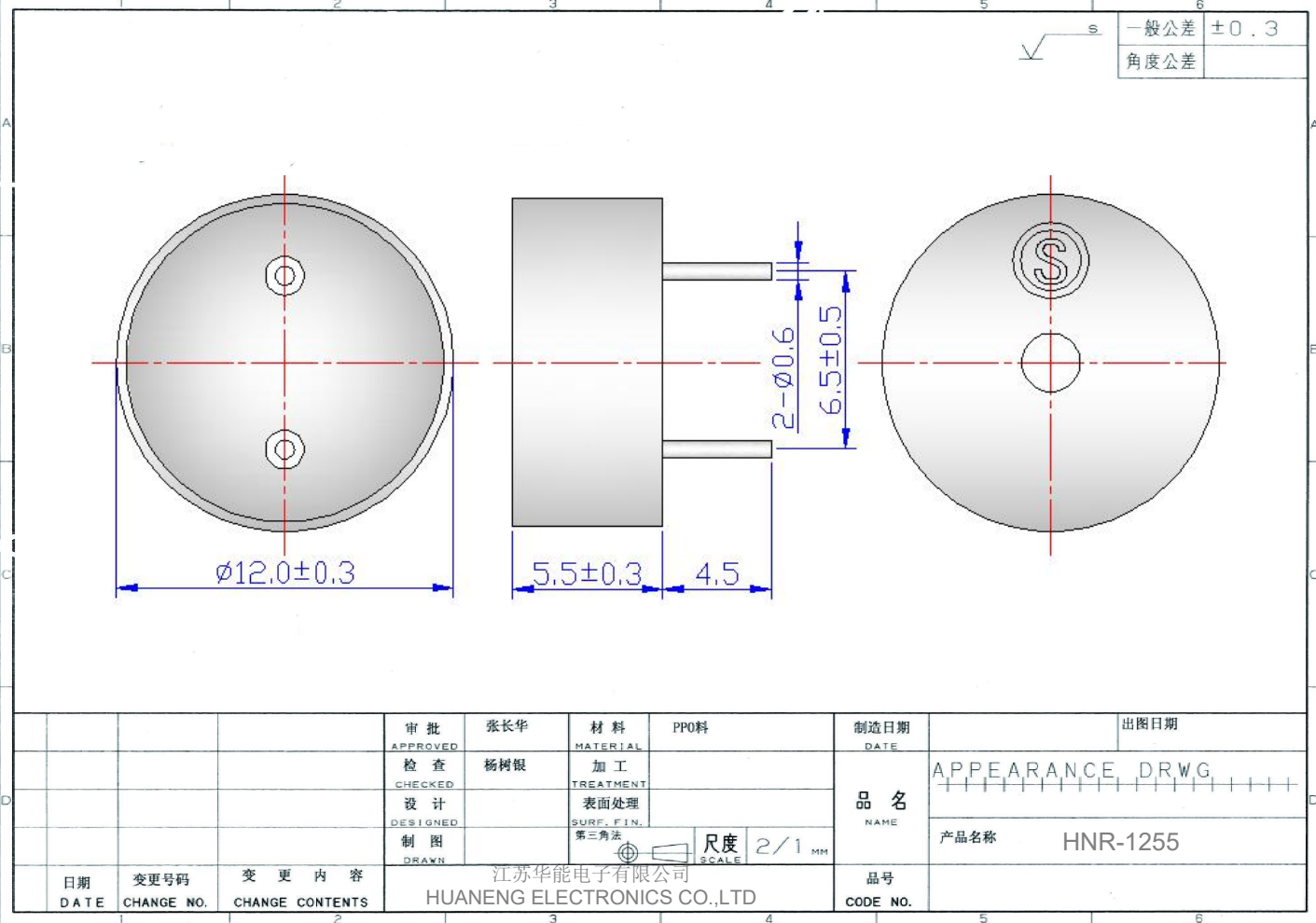
Basic State: Temp.(20±2°C), Humidity(60~70%RH), Air pressure(860~1060hPa)

<标准驱动电路>/<Standard Drive Circuit>

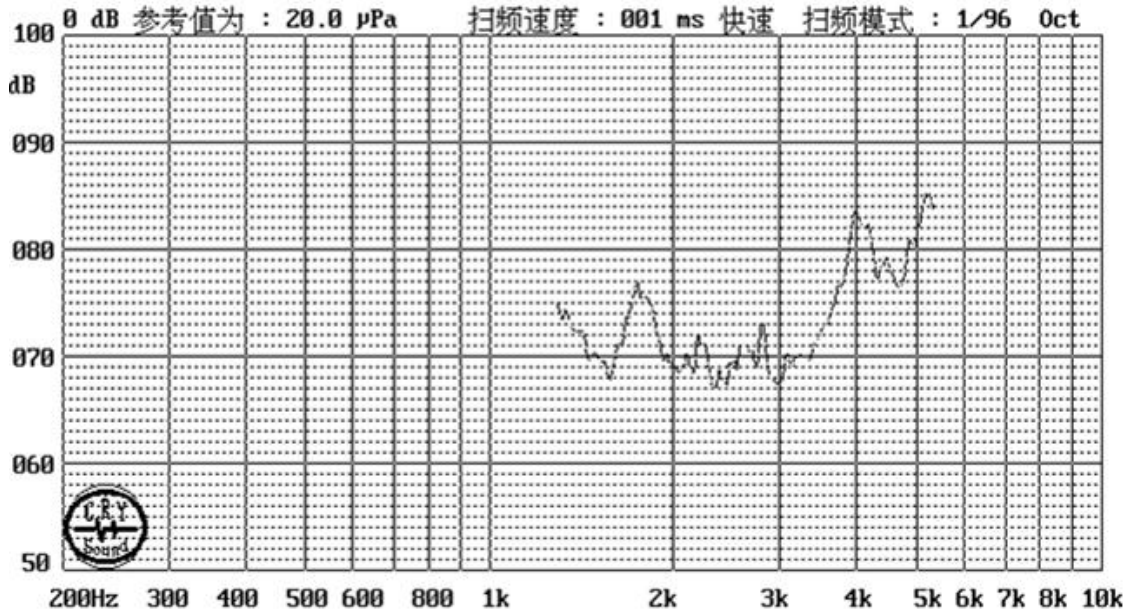
<标准测试治具>/<Standard Test Fixture>



项目/Item		试验条件/Test condition	判断标准/Criteria	引用规格
1	高温保存试验 High temperature Preservation	+85℃环境下放置24小时 Exposure to +85℃ for 24 hrs.	试验后, 声响器的声级变化值在±10dB之内, 外观无变化(例如: 开裂, 氧化, 损伤, 变形等现象) After test, the transducer S. P. L. difference shall be within±10dB, and the appearance not exist any change to be harmful to normal operation (e.g. cracks, rusts, damages and especially distortion)	
2	低温保存试验 Low temperature preservation	-20℃环境下放置24小时 Exposure to -40℃ for 24 hrs.		
3	高温试验 High temperature Shock			
4	低温试验 Low temperature Shock			
5	常温寿命试验 Ordinary Temp. Life	常温 (25℃±10℃) 电压12V连续测试48小时 Driving the sounder at 12V for 48hrs in the room temperature (25℃±10℃)		
6	高温寿命试验 High Temp. Life	高温 (+85℃) 电压12V连续测试2小时 Driving the sounder at 12V for 2hrs in the low temperature (+85℃)		
7	低温寿命试验 Low Temp. Life	低温 (-20℃) 电压12V连续测试2小时 Driving the sounder at 12V for 2hrs in the low temperature (-20℃)		
8	端子拉力试验 Lead strength	10N的拉力在端子上拉10±1秒 Pull load on the direction of the terminal axis for 10±1 sec.		
9	跌落试验 Free drop	70cm高自由掉落到厚40mm的木板上, 每个方向一次 Free drop, 70cm height, on wood board (t40mm) X, Y, Z 3Direction 1time each, total 3times.	排除弯曲的针 Exclude bending of Pin	
10	端子可焊性试验 Solderability	260±5℃焊接温度。时间: 5±0.5sec。 Soldering into solderbath: Solder Temp. 260±5℃ Soaking Time: 5±0.5sec	端子95%必须覆盖着焊料 95% surface of lead pins must be covered with fresh solder and no soldering holes Should be found	



产品特征图



2020-4-10