

PLEASE CHECK WWW.MOLEX.COM FOR LATEST PART INFORMATION

Part Number: [0473460001](#)
Status: **Active**
Overview: [micro_usb](#)
Description: 0.65mm (.026") Pitch Micro-USB B Receptacle, Bottom Mount, SMT, Lead Free

Documents:

[3D Model](#) [Product Specification PS-47346-001 \(PDF\)](#)
[Drawing \(PDF\)](#) [RoHS Certificate of Compliance \(PDF\)](#)

General

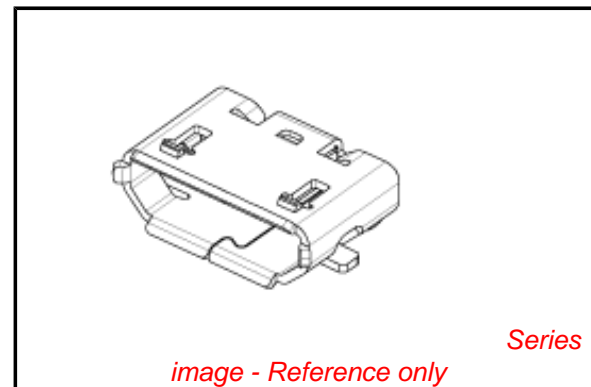
Product Family	I/O Connectors
Series	47346
Application	Wire-to-Board
Comments	Bottom Mount Type
Component Type	Receptacle
MolexKits	Yes
Overview	micro_usb
Product Name	Micro-USB
Type	B

Physical

Boot Color	N/A
Circuits (Loaded)	5
Circuits (maximum)	5
Color - Resin	Black
Gender	Male
Keying to Mating Part	Yes
Lock to Mating Part	Yes
Material - Metal	Copper Alloy
Material - Plating Mating	Gold
Material - Plating Termination	Gold
Material - Resin	High Temperature Thermoplastic
Number of Rows	1
Orientation	Right Angle
PCB Locator	No
PCB Retention	Yes
Packaging Type	Embossed Tape on Reel
Panel Mount	No
Pitch - Mating Interface (in)	0.026 In
Pitch - Mating Interface (mm)	0.65 mm
Pitch - Term. Interface (in)	0.026 In
Pitch - Term. Interface (mm)	0.65 mm
Plating min: Mating (µin)	2
Plating min: Mating (µm)	0.05
Plating min: Termination (µin)	2
Plating min: Termination (µm)	0.05
Polarized to Mating Part	Yes
Polarized to PCB	Yes
Ports	1
Surface Mount Compatible (SMC)	Yes
Temperature Range - Operating	-20°C to +85°C
Termination Interface: Style	Surface Mount
Waterproof / Dustproof	No

Electrical

Current - Maximum per Contact	1.8A, 1A
-------------------------------	----------



EU RoHS

**ELV and RoHS
Compliant**
**REACH SVHC
Contains SVHC: No**
**Halogen-Free
Status**

China RoHS



**Need more information on product
environmental compliance?**

Email productcompliance@molex.com
 For a multiple part number RoHS Certificate of Compliance, [click here](#)

Please visit the [Contact Us](#) section for any non-product compliance questions.

Search Parts in this Series

[47346Series](#)

Mates With

[68784](#) Micro-USB Cable Plugs

Grounding to Panel	Yes
Shield Type	Full Shield
Shielded	Yes
Voltage - Maximum	100V AC (RMS)

Solder Process Data

Duration at Max. Process Temperature (seconds)	10
Lead-free Process Capability	Reflow Capable (SMT only)
Max. Cycles at Max. Process Temperature	1
Process Temperature max. C	260

Material Info

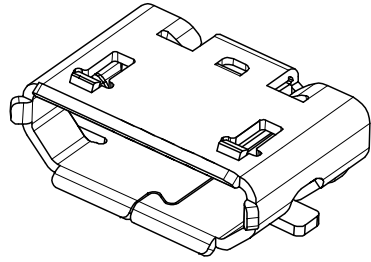
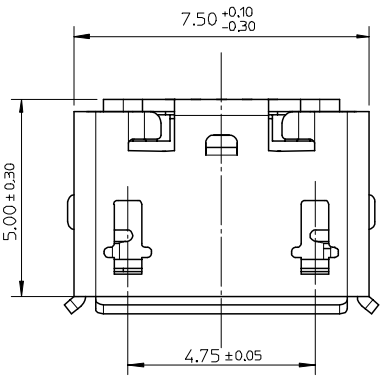
Reference - Drawing Numbers

Packaging Specification	PK-47346-001
Product Specification	PS-47346-001
Sales Drawing	SD-47346-001

This document was generated on 06/07/2010

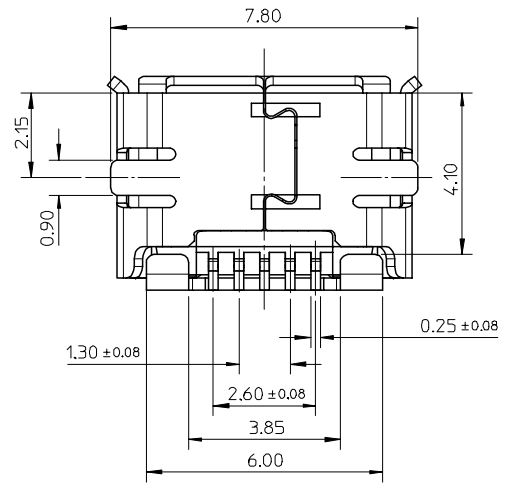
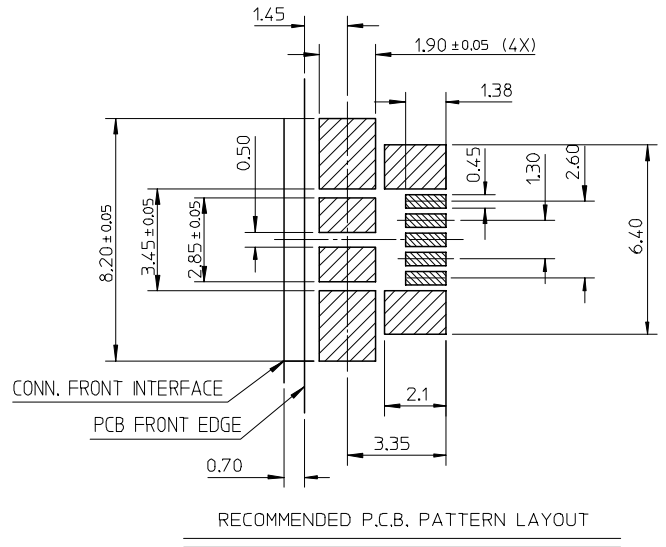
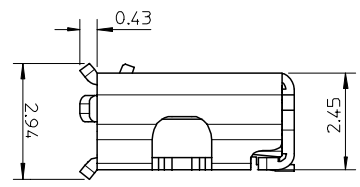
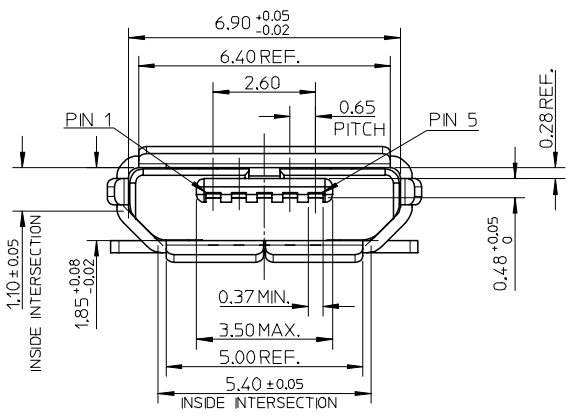
PLEASE CHECK WWW.MOLEX.COM FOR LATEST PART INFORMATION

10 9 8 7 6 5 4 3 2 1



NOTE :

- MATERIAL :
 HOUSING : LCP, BLACK, UL94V-0
 TERMINAL : COPPER ALLOY THICKNESS = 0.15 MM
 SHIELD CASE : STAINLESS STEEL THICKNESS = 0.30 MM
- PLATING :
 TERMINAL:
 CONTACT AREA : GOLD FLASH OVER MINIMUM 0.75 MICRON Pd/Ni.
 SOLDER TAIL AREA : GOLD FLASH.
 UNDER PLATING : NICKEL 2.0 MICRON MINIMUM.
 SHIELD :
 MATTE TIN 3.8 MICRON MINIMUM.
 UNDER PLATING : NICKEL 1.27 MICRON MINIMUM.
- TAIL & NAIL COPLANARITY 0.08 mm MAXIMUM.
- COMPLIANT TO RoHS DIRECTIVE 2002/95/EC AND ELV DIRECTIVE 2000/53/EC.



NEW RELEASE EC NO: SH2007-0765 DRWN: XJSONG 2007/04/24 CHKD: JTIAN 2007/04/24 APPR: JNCHEN 2007/04/27	QUALITY SYMBOLS ▽=0 △=0	GENERAL TOLERANCES (UNLESS SPECIFIED)		DIMENSION STYLE	SCALE	DESIGN UNITS	THIRD ANGLE PROJECTION	
				MM ONLY	8:1	METRIC		
				DRAWN BY	DATE	TITLE		
		4 PLACES	± ---	± ---	XJSONG	2006/12/11	MICRO USB B REC. BOTTOM MOUNT ASS'Y	
			CHECKED BY	DATE				
3 PLACES	± ---	± ---	IWANG	2006/12/11				
2 PLACES	± 0.25	± ---	APPROVED BY	DATE				
1 PLACE	± 0.25	± ---	JNCHEN	2006/12/11				
		ANGULAR ± 3 °		MATERIAL NO.	DOCUMENT NO.	SHEET NO.		
DRAFT WHERE APPLICABLE MUST REMAIN WITHIN DIMENSIONS				47346-0001	SD-47346-001	1 OF 1		
				MOLEX INCORPORATED				
THIS DRAWING CONTAINS INFORMATION THAT IS PROPRIETARY TO MOLEX INCORPORATED AND SHOULD NOT BE USED WITHOUT WRITTEN PERMISSION								

9 8 7 6 5 4 3 2 1