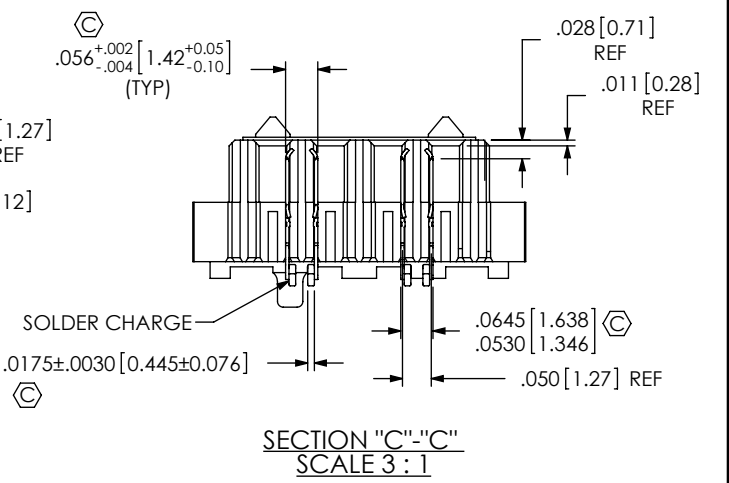
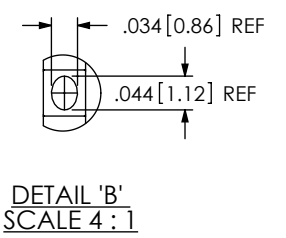
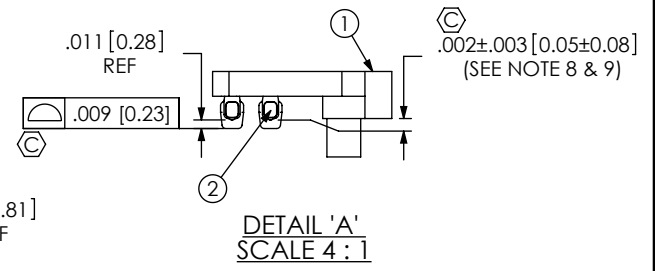
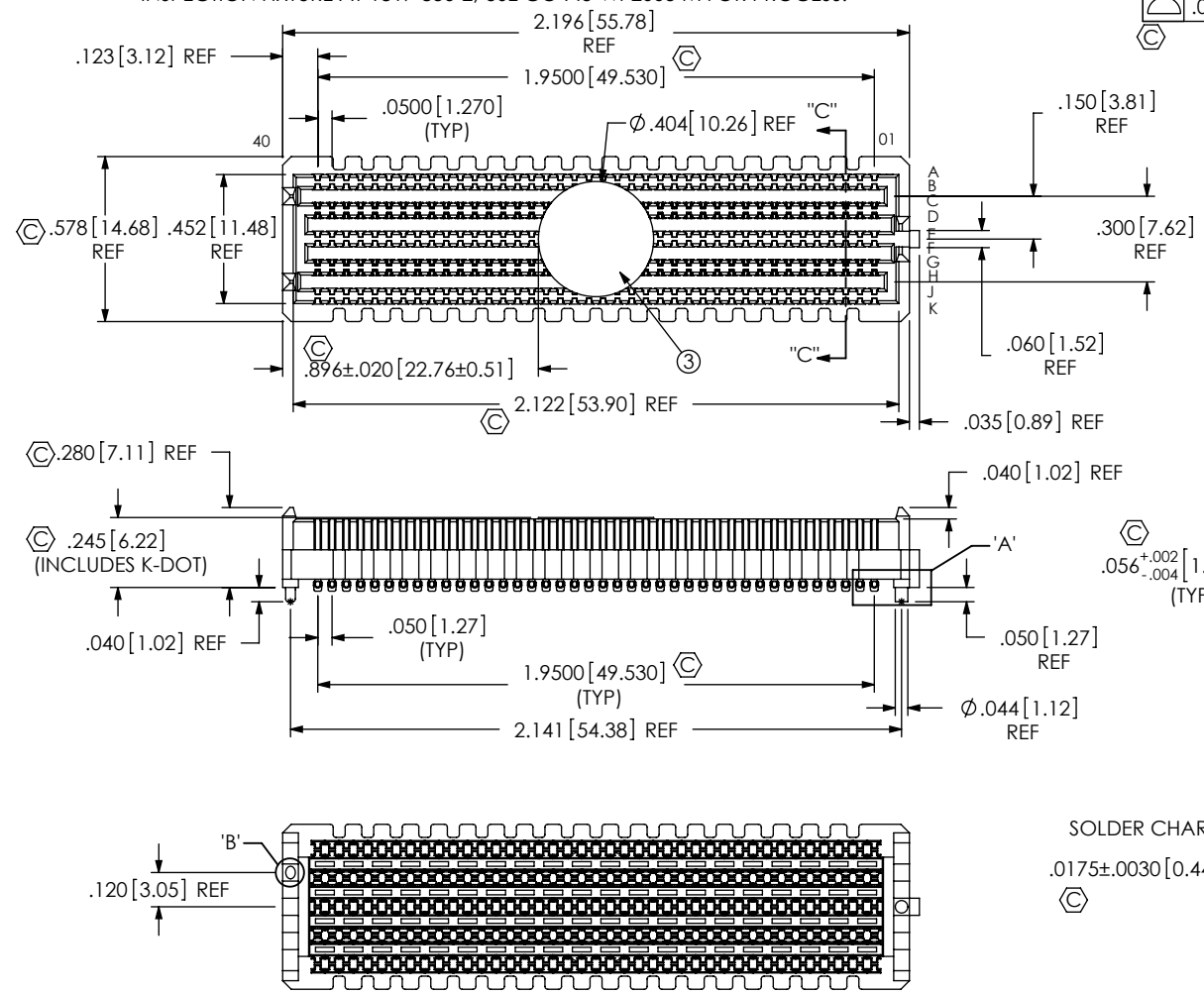


DO NOT SCALE FROM THIS PRINT

- NOTES:
1. FILL ROWS 03, 04, 07 & -08 ONLY NOT AVAILABLE AS STANDARD. VITA 57 CONNECTOR.
 2. NOTE DELETED.
 3. $\text{\textcircled{C}}$ REPRESENTS A CRITICAL DIMENSION.
 4. MINIMUM PUSHOUT FORCE: 0.50 LBS.
 5. PARTS TO BE PACKAGED IN TAPE & REEL.
 6. NOTE DELETED.
 7. ATTACH LABEL "SEAX-0001" TO EACH TAPE & REEL PACKAGE.
 8. MAXIMUM ROW TO ROW VARIATION .003[0.08], MEASURED FIRST & LAST POSITIONS ONLY, ALL ROWS.
 9. DIMENSION C8 MUST BE MEASURED IN THE FOUR OUTSIDE CORNERS USING INSPECTION FIXTURE AT-1817-836-2, USE CO-AU-WI-2003-M FOR PROCESS.

ANY REV MADE TO THIS PRINT MUST HAVE AN UPDATED MKT PRINT



ITEM NO.	PART NUMBER	QUANTITY	MATERIAL
1	SEAM-40-03.5-10-A	1.0000	LCP, UL 94 V0, COLOR: BLACK
2	NEW-SUB-T-1M36-03.5-S-2	160.00	COPPER ALLOY / LEAD FREE SOLDER $\text{\textcircled{C}}$
3	K-DOT-.404-.500-.005	1.0000	POLYIMIDE FILM
4	CT-SEAM033MS	1.0000	CONDUCTIVE POLYMER

UNLESS OTHERWISE SPECIFIED, DIMENSIONS ARE IN INCHES.

TOLERANCES ARE:

DECIMALS	ANGLES
.XX: $\pm .01 [0.3]$	2°
.XXX: $\pm .005 [0.13]$	
.XXXX: $\pm .0020 [0.051]$	

PROPRIETARY NOTE: THIS DOCUMENT CONTAINS CONFIDENTIAL AND PROPRIETARY INFORMATION AND ALL DESIGN, MANUFACTURING, REPRODUCTION, USE, PATENT RIGHTS AND SALES RIGHTS ARE EXPRESSLY RESERVED BY SAMTEC, INC. THIS DOCUMENT SHALL NOT BE DISCLOSED, IN WHOLE OR PART, TO ANY UNAUTHORIZED PERSON OR ENTITY NOR REPRODUCED, TRANSFERRED OR INCORPORATED IN ANY OTHER PROJECT IN ANY MANNER WITHOUT THE EXPRESS WRITTEN CONSENT OF SAMTEC, INC.

DO NOT SCALE DRAWING SHEET SCALE: 3:2

PLATING:
CONTACT AREA: .000030 GOLD OVER .000050 NICKEL
REMAINDER: .000200 REF TIN OVER .000050 NICKEL

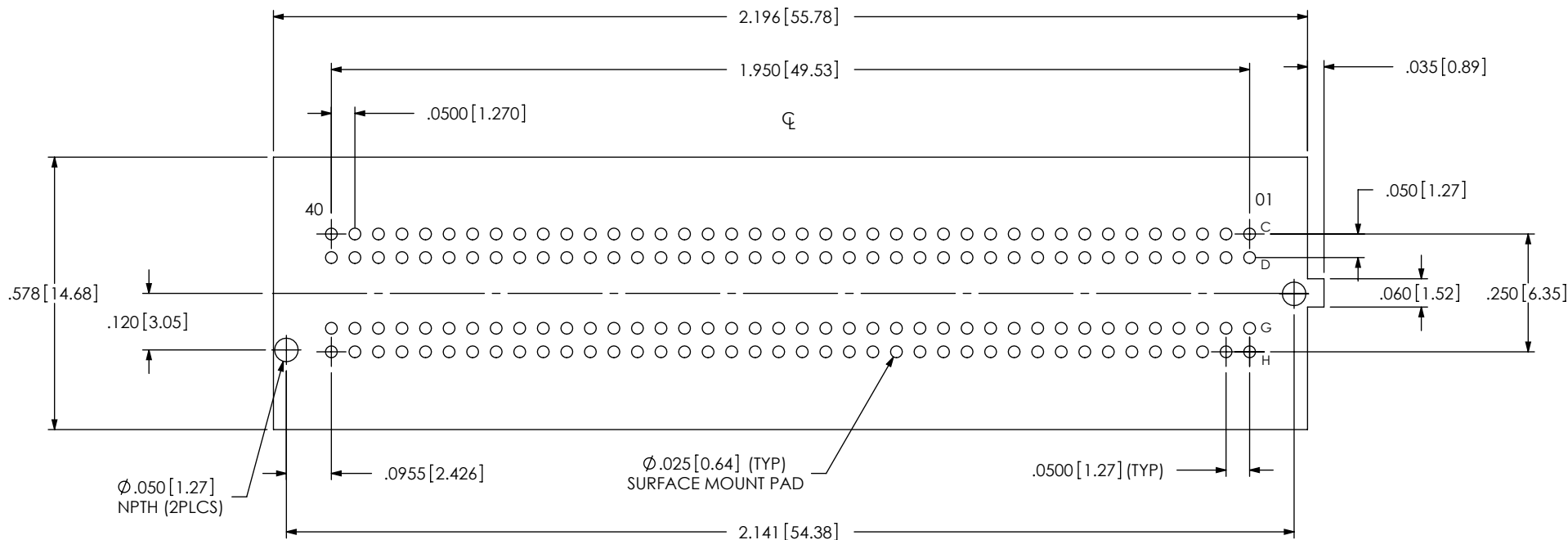
F:\DWG\MISC\MKTG\ASP-134604-01-MKT.SLDDRW

520 PARK EAST BLVD. NEW ALBANY, IN 47150
PHONE: 812-944-6733 FAX: 812-948-5047
e-Mail: info@SAMTEC.com code 55322

DESCRIPTION:
.050 PITCH TERMINAL ARRAY ASSEMBLY

DWG. NO.
ASP-134604-01

BY: G. PURVIS 11/07/2007 SHEET 1 OF 4



RECOMMENDED PCB LAYOUT FOR ASP-134604-01
ALL DIMENSIONS ARE SYMMETRIC ABOUT THE CENTERLINE.

PROPRIETARY NOTE

THIS DOCUMENT CONTAINS CONFIDENTIAL AND PROPRIETARY INFORMATION AND ALL DESIGN, MANUFACTURING, REPRODUCTION, USE, PATENT RIGHTS AND SALES RIGHTS ARE EXPRESSLY RESERVED BY SAMTEC, INC. THIS DOCUMENT SHALL NOT BE DISCLOSED, IN WHOLE OR PART, TO ANY UNAUTHORIZED PERSON OR ENTITY NOR REPRODUCED, TRANSFERRED OR INCORPORATED IN ANY OTHER PROJECT IN ANY MANNER WITHOUT THE EXPRESS WRITTEN CONSENT OF SAMTEC, INC.



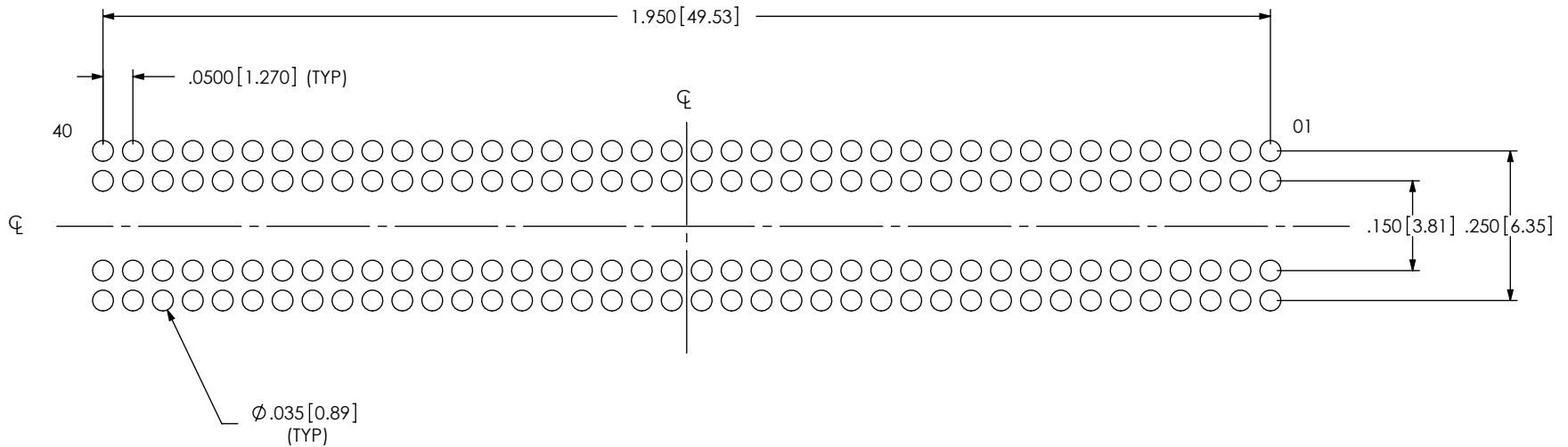
520 PARK EAST BLVD., NEW ALBANY, IN 47150
PHONE: 812-944-6733 FAX: 812-948-5047
e-Mail: info@SAMTEC.com code 55322

SHEET SCALE: 3:1

DESCRIPTION:
.050 PITCH TERMINAL ARRAY ASSEMBLY

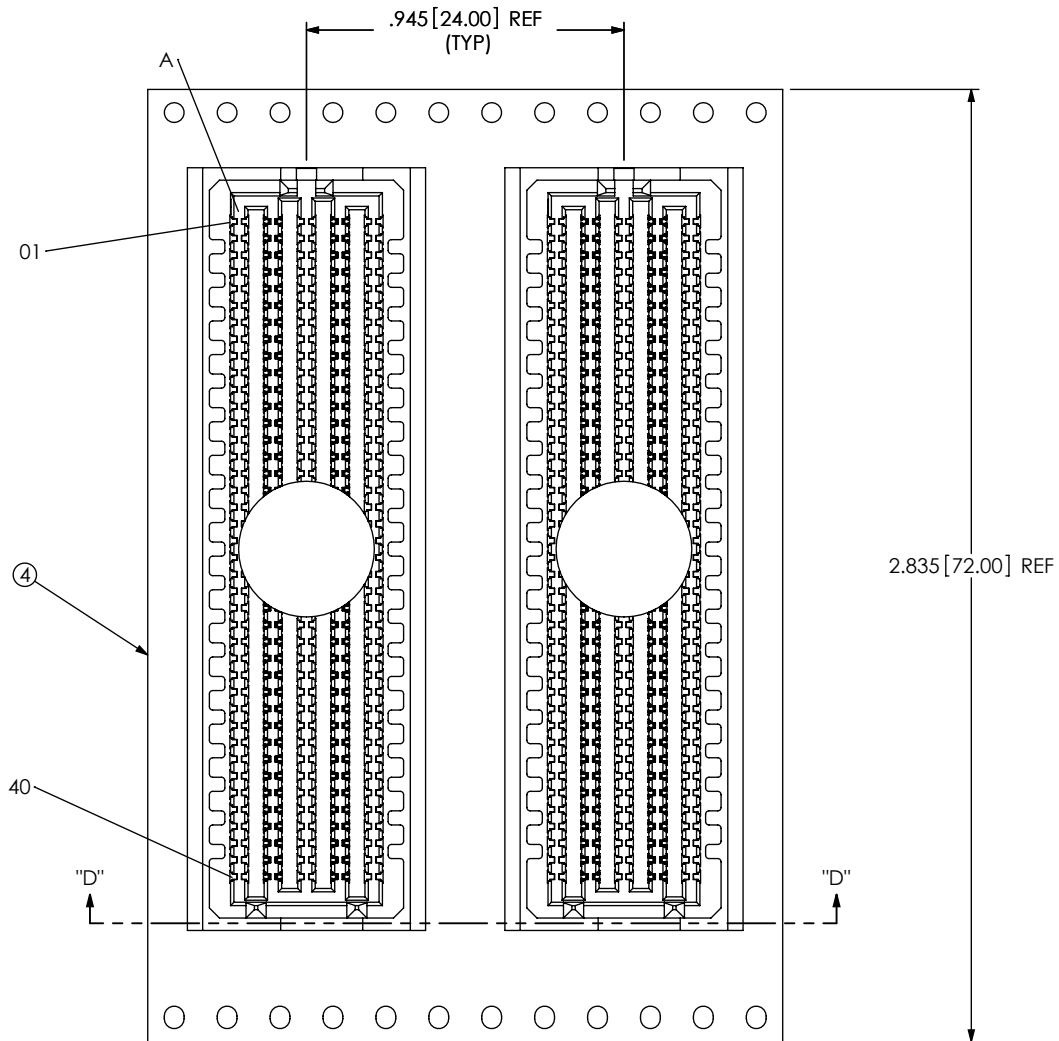
DWG. NO.
ASP-134604-01

NOTES:
 STENCIL TO BE .0060 [0.152] THICK.

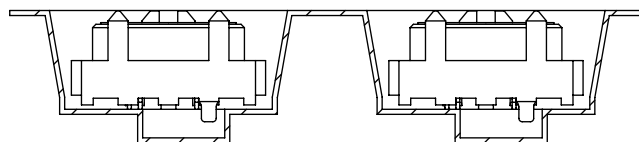


RECOMMENDED STENCIL LAYOUT FOR ASP-134604-01
 ALL DIMENSIONS ARE SYMMETRIC ABOUT THE CENTERLINE.

<p>PROPRIETARY NOTE THIS DOCUMENT CONTAINS CONFIDENTIAL AND PROPRIETARY INFORMATION AND ALL DESIGN, MANUFACTURING, REPRODUCTION, USE, PATENT RIGHTS AND SALES RIGHTS ARE EXPRESSLY RESERVED BY SAMTEC, INC. THIS DOCUMENT SHALL NOT BE DISCLOSED, IN WHOLE OR PART, TO ANY UNAUTHORIZED PERSON OR ENTITY NOR REPRODUCED, TRANSFERRED OR INCORPORATED IN ANY OTHER PROJECT IN ANY MANNER WITHOUT THE EXPRESS WRITTEN CONSENT OF SAMTEC, INC.</p>	<p>samtec 520 PARK EAST BLVD, NEW ALBANY, IN 47150 PHONE: 812-944-6733 FAX: 812-948-5047 e-Mail info@SAMTEC.com code 55322</p>
<p>SHEET SCALE: 3.5:1</p>	<p>DESCRIPTION: .050 PITCH TERMINAL ARRAY ASSEMBLY</p>
<p>F:\DWG\MISC\MKTG\ASP-134604-01-MKT.SLDDRW</p>	<p>DWG. NO. ASP-134604-01 BY: G. PURVIS 11/07/2007 SHEET 3 OF 4</p>



USER DIRECTION OF UN-REELING →
POCKET NOT DETAILED



SECTION "D"-"D"
PACKAGING VIEW

PROPRIETARY NOTE

THIS DOCUMENT CONTAINS CONFIDENTIAL AND PROPRIETARY INFORMATION AND ALL DESIGN, MANUFACTURING, REPRODUCTION, USE, PATENT RIGHTS AND SALES RIGHTS ARE EXPRESSLY RESERVED BY SAMTEC, INC. THIS DOCUMENT SHALL NOT BE DISCLOSED, IN WHOLE OR PART, TO ANY UNAUTHORIZED PERSON OR ENTITY NOR REPRODUCED, TRANSFERRED OR INCORPORATED IN ANY OTHER PROJECT IN ANY MANNER WITHOUT THE EXPRESS WRITTEN CONSENT OF SAMTEC, INC.



520 PARK EAST BLVD, NEW ALBANY, IN 47150
PHONE: 812-944-6733 FAX: 812-948-5047
e-Mail info@SAMTEC.com code 55322

SHEET SCALE: 1.75:1

DESCRIPTION:
.050 PITCH TERMINAL ARRAY ASSEMBLY

DWG. NO.
ASP-134604-01

Mouser Electronics

Authorized Distributor

Click to View Pricing, Inventory, Delivery & Lifecycle Information:

[Samtec:](#)

[ASP-134604-01](#)