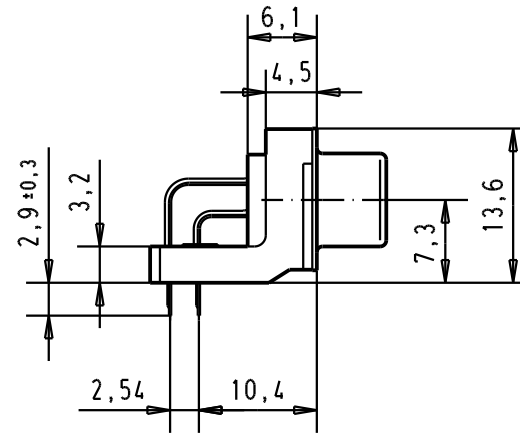
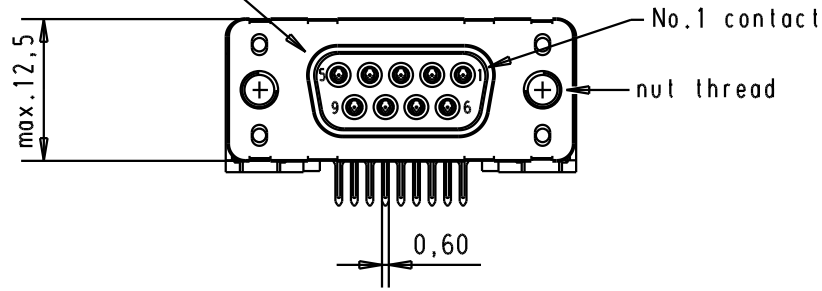
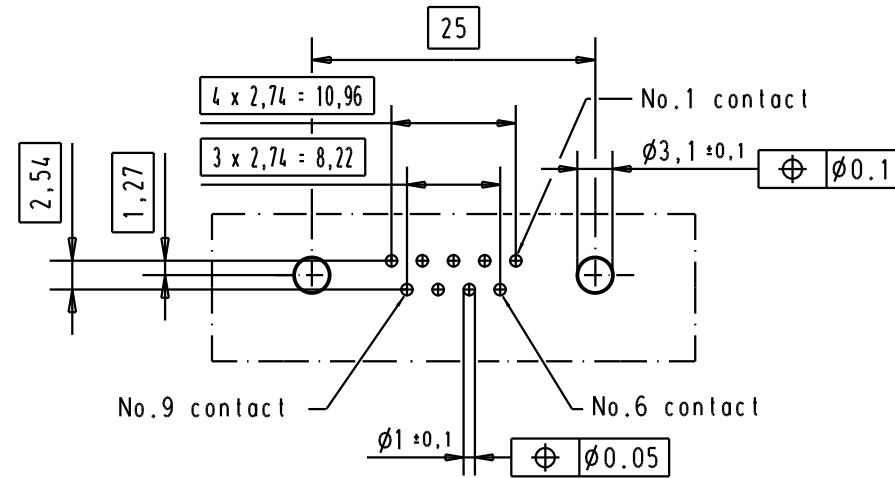
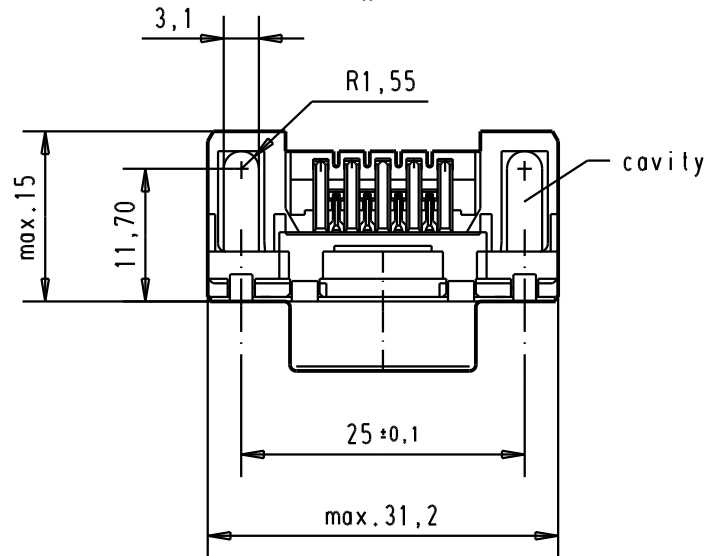


5 4 3 2 1


Mating face according to : MIL-C-24308 / DIN 41652 / CECC 75301-802



Printed board layout  
component side



A

Part number	Nut thread	Performance level	Mod.	Dat.	Name	Dat.	Name	 All Dim. in mm Orig. Size DIN A 4		D-Sub 09 poles standard angle female, solder pin with nut and hole Maßstab/ Scale 1.5:1
09 66 112 3601	M3	1								
09 66 112 6601	M3	2				Detail.	27/nov/00	ALSPACE		
09 66 112 7601	M3	3				Insp.				
09 66 112 3602	4-40 UNC	1	31892	05/05/04	JH	Stand.				
09 66 112 6602	4-40 UNC	2	29773	18-APR-02	CV	HARTING EURL F-95972 Paris				TB 0966112x60x Sub.
09 66 112 7602	4-40 UNC	3	27960	27/nov/00	ALSPACE					



# Mouser Electronics

Authorized Distributor

Click to View Pricing, Inventory, Delivery & Lifecycle Information:

[HARTING:](#)

[09661126601](#) [09661126602](#) [09661127601](#) [09661127602](#)