

PLEASE CHECK WWW.MOLEX.COM FOR LATEST PART INFORMATION

Part Number: **0467652001**
Status: **Active**
Overview: type d micro connectors
Description: 0.40mm (.016") Pitch HDMI* Type D Micro Connector, Right Angle Receptacle, SMT, Hybrid Type Mount, with Kapton Tape, 19 Circuits, Lead free

Documents:

[3D Model](#)
[Packaging Specification \(PDF\)](#)
[Drawing \(PDF\)](#)
[Product Specification PS-46765-003 \(PDF\)](#)
[RoHS Certificate of Compliance \(PDF\)](#)

General

Product Family	I/O Connectors
Series	46765
Application	Wire-to-Board
Comments	Hybrid Mount comprise Vertical and Horizontal type shell tabs
Component Type	Receptacle
Overview	type d micro connectors
Product Name	HDMI, Micro HDMI*
Type	D

Physical

Boot Color	N/A
Circuits (Loaded)	19
Circuits (maximum)	19
Gender	Male
Keying to Mating Part	Yes
Lock to Mating Part	Yes
Material - Metal	Copper Alloy
Material - Plating Mating	Gold
Material - Plating Termination	Gold
Material - Resin	High Temperature Thermoplastic
Number of Rows	2
Orientation	Right Angle
PCB Retention	Yes
Packaging Type	Embossed Tape on Reel
Panel Mount	No
Pitch - Mating Interface (in)	0.016 In
Pitch - Mating Interface (mm)	0.40 mm
Pitch - Term. Interface (in)	0.016 In
Pitch - Term. Interface (mm)	0.40 mm
Plating min: Mating (µin)	30
Plating min: Mating (µm)	0.76
Plating min: Termination (µin)	2
Plating min: Termination (µm)	0.05
Polarized to Mating Part	Yes
Polarized to PCB	Yes
Ports	1
Termination Interface: Style	Surface Mount
Waterproof / Dustproof	No

Electrical

Current - Maximum per Contact	0.8A
Grounding to Panel	Yes
Shield Type	Full Shield

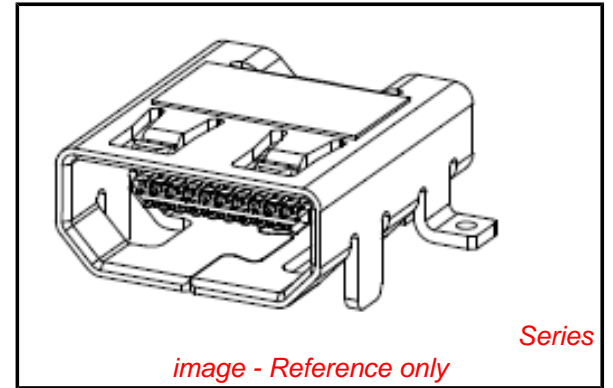


image - Reference only

EU RoHS

ELV and RoHS Compliant
REACH SVHC
Contains SVHC: No
Halogen-Free
Status

China RoHS



Not Reviewed

Need more information on product environmental compliance?

Email productcompliance@molex.com
 For a multiple part number RoHS Certificate of Compliance, [click here](#)

Please visit the [Contact Us](#) section for any non-product compliance questions.

Search Parts in this Series

46765Series

Mates With

68786 Micro HDMI* Cable Assemblies

Shielded	Yes
Voltage - Maximum	30V

Material Info

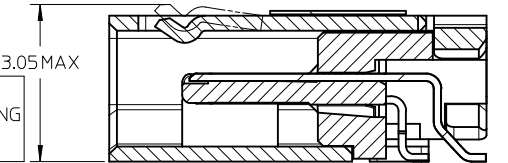
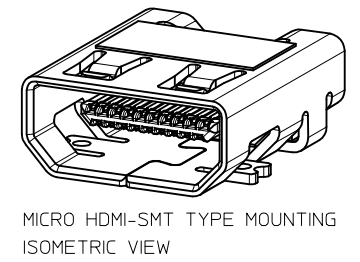
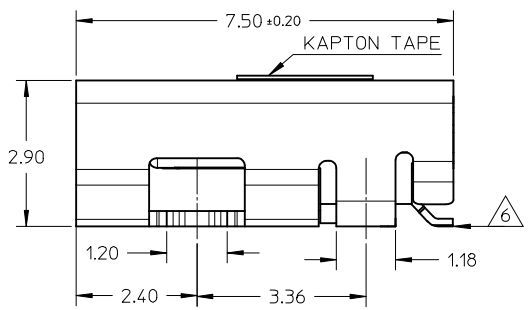
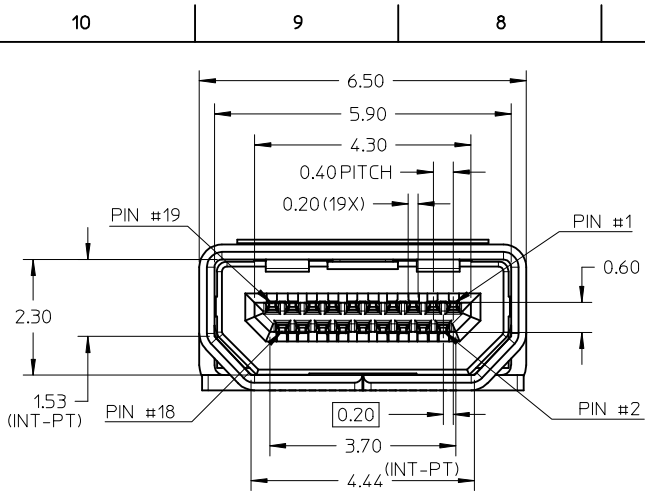
Reference - Drawing Numbers

Packaging Specification	PK-46765-001, PK-89990-880
Product Specification	PS-46765-003, RPS-46765-003, RPS-46765-004
Sales Drawing	SD-46765-001

* High Definition Multimedia Interface and HDMI are trademarks of HDMI Licensing, LLC.

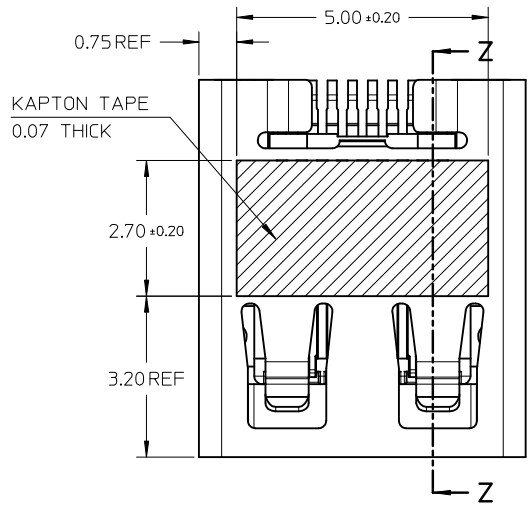
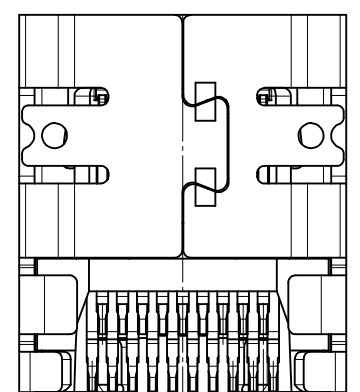
This document was generated on 05/27/2010

PLEASE CHECK WWW.MOLEX.COM FOR LATEST PART INFORMATION



INCLUDING LATCH PROTRUSION DURING MATING

SECTION Z-Z

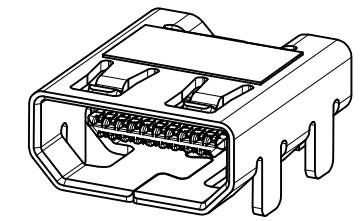
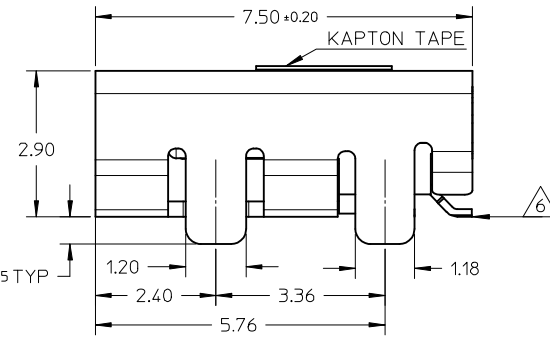
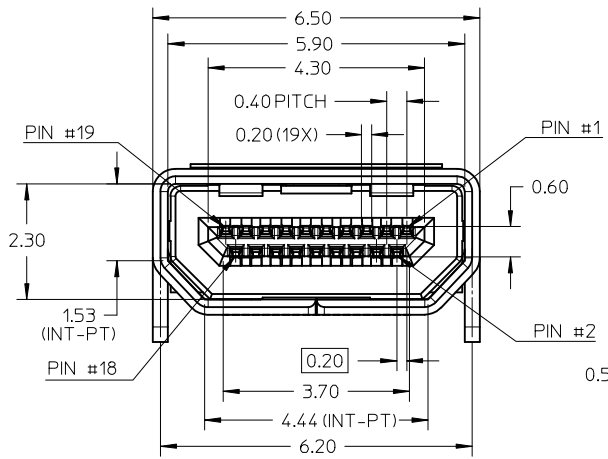


NOTES:

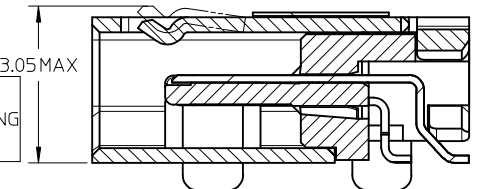
- MATERIALS:
HOUSING: LCP, 30% GLASS FILLED, UL94V-0
TERMINALS: BRASS ALLOY
SHIELD: STAINLESS STEEL
- FINISHES:
TERMINALS: 0.76UM MIN GOLD ON CONTACT AREA, 0.05UM MIN GOLD FLASH ON SOLDER TAILS, AND 2.0UM MIN NICKEL UNDERPLATE OVERALL
SHIELD: 3.8UM MIN MATTE TIN OVER 1.27UM MIN NICKEL
- PRODUCT SPECIFICATION: PS-46765-001
- PACKAGING SPECIFICATION: PACKED IN TAPE & REEL
- SEE SHEET 4 OF 5 FOR RECOMMENDED PCB LAYOUT
- TERMINAL SOLDER-TAIL COPLANARITY 0.08 MAX

MOUNTING TYPE	PART NUMBER
SMT TYPE+KAPTON TAPE	46765-0001
SMT TYPE	46765-0011

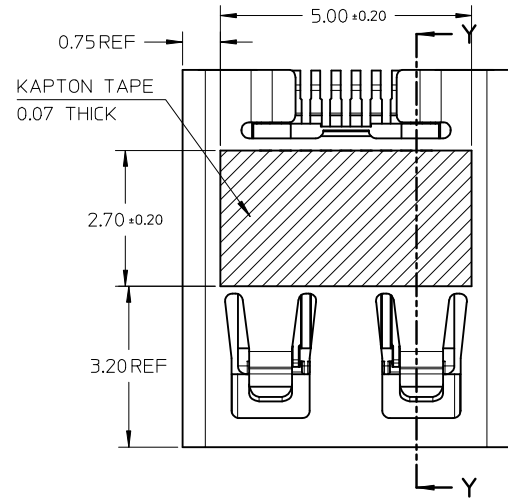
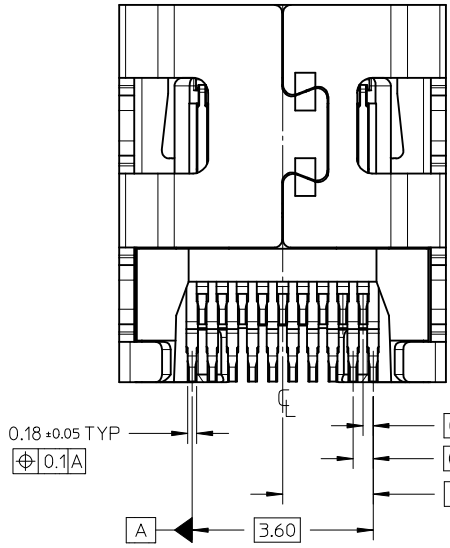
REV	DESCRIPTION	QUALITY SYMBOLS	GENERAL TOLERANCES (UNLESS SPECIFIED)		DIMENSION STYLE	SCALE	DESIGN UNITS	THIRD ANGLE PROJECTION
			mm	INCH	MM ONLY	NTS	METRIC	
A3	RELEASED EC NO: S2010-0287 DRWN:KSSHAMTHA 2009/10/05 CHKD: JESSIECHUA 2009/10/05 APPR: NAGESHKN 2009/10/06	▽=0 ∇=0	4 PLACES	± ---	± ---	DRAWN BY MKAMARAU	DATE 2008/10/14	MICRO HDMI, TYPE-D 0.4MM PITCH, 19CKT RECEPTACLE CONNECTOR MOLEX MOLEX INCORPORATED DOCUMENT NO. SD-46765-001 SHEET NO. 1 OF 5
			3 PLACES	± ---	± ---	CHECKED BY MKAMARAU	DATE 2008/10/14	
			2 PLACES	± 0.1	± ---	APPROVED BY MBANAKIS	DATE 2008/10/14	
			1 PLACE	± ---	± ---	MATERIAL NO.		
			ANGULAR ± 2 °					
DRAFT WHERE APPLICABLE MUST REMAIN WITHIN DIMENSIONS			SEE TABLE		THIS DRAWING CONTAINS INFORMATION THAT IS PROPRIETARY TO MOLEX INCORPORATED AND SHOULD NOT BE USED WITHOUT WRITTEN PERMISSION			



MICRO HDMI-THRU HOLE TYPE MOUNTING ISOMETRIC VIEW



SECTION Y-Y

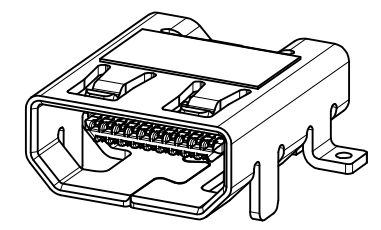
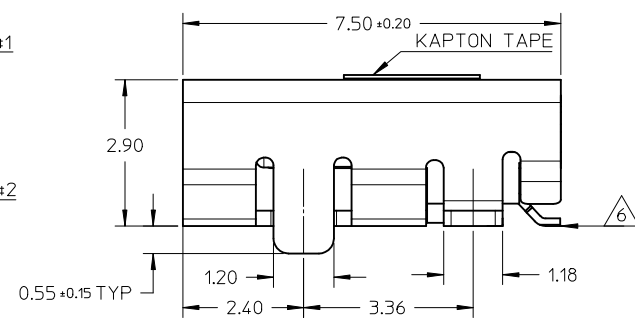
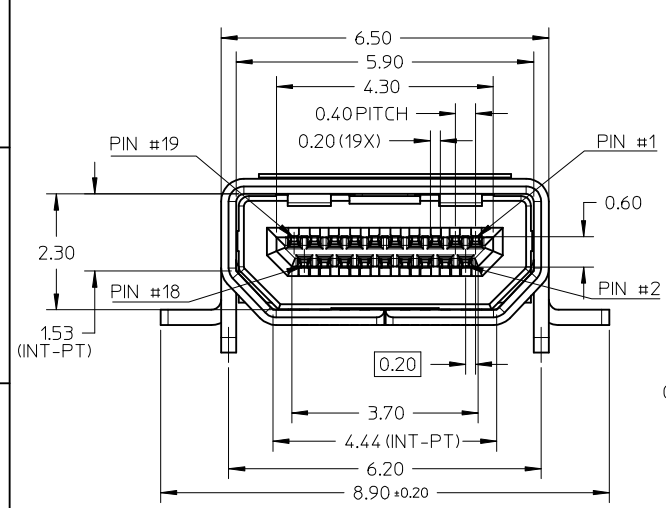


NOTES:

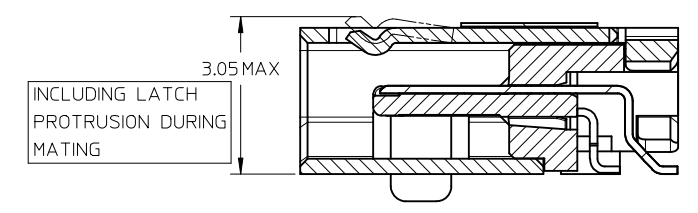
1. MATERIALS:
HOUSING: LCP, 30% GLASS FILLED, UL94V-0
TERMINALS: BRASS ALLOY
SHIELD: STAINLESS STEEL
2. FINISHES:
TERMINALS: 0.76UM MIN GOLD ON CONTACT AREA, 0.05UM MIN GOLD FLASH ON SOLDER TAILS, AND 2.0UM MIN NICKEL UNDERPLATE OVERALL
SHIELD: 3.8UM MIN MATTE TIN OVER 1.27UM MIN NICKEL
3. PRODUCT SPECIFICATION: PS-46765-001
4. PACKAGING SPECIFICATION: PACKED IN TAPE & REEL
5. SEE SHEET 4 OF 5 FOR RECOMMENDED PCB LAYOUT
6. TERMINAL SOLDER-TAIL COPLANARITY 0.08 MAX

MOUNTING TYPE	PART NUMBER
THRU HOLE TYPE+KAPTON TAPE	46765-1001
THRU HOLE TYPE	46765-1011

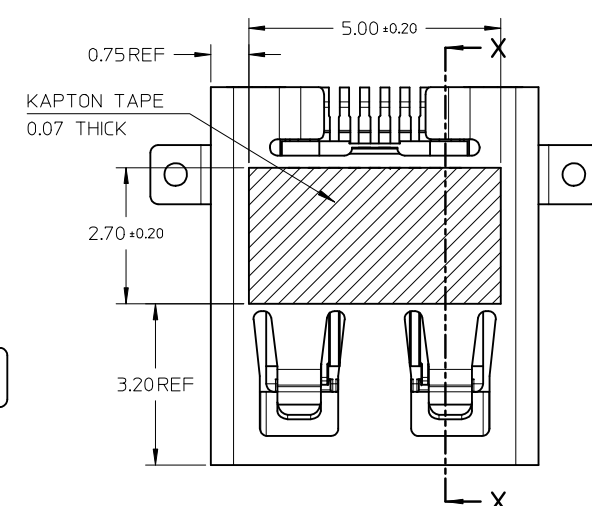
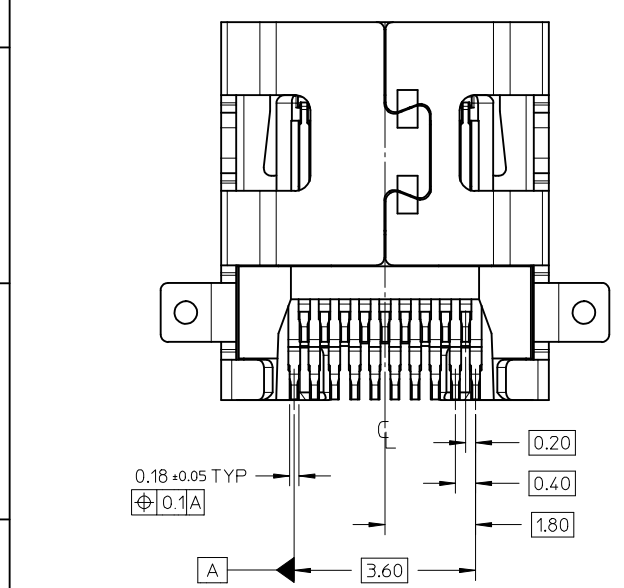
RELEASED EC NO: S2010-0287 DRWN:KSSHANITHA 2009/10/05 CHKD:JESSIECHUA 2009/10/05 APPR:NAAGESHKN 2009/10/06	DESCRIPTION A3	QUALITY SYMBOLS	GENERAL TOLERANCES (UNLESS SPECIFIED)	DIMENSION STYLE	SCALE	DESIGN UNITS	THIRD ANGLE PROJECTION	
		▼=0 ◻=0	mm INCH 4 PLACES ± --- ± --- 3 PLACES ± --- ± --- 2 PLACES ± 0.1 ± --- 1 PLACE ± --- ± --- ANGULAR ± 2 °	MM ONLY	NTS	METRIC	□ □	
				DRAWN BY: MKAMARAU CHECKED BY: MKAMARAU APPROVED BY: MBANAKIS MATERIAL NO.	DATE: 2008/10/14 DATE: 2008/10/14 DATE: 2008/10/14	TITLE		
				DRAFT WHERE APPLICABLE MUST REMAIN WITHIN DIMENSIONS	SEE TABLE	MOLEX INCORPORATED DOCUMENT NO. SD-46765-001		SHEET NO. 2 OF 5



MICRO HDMI-HYBRID TYPE MOUNTING ISOMETRIC VIEW



SECTION X-X

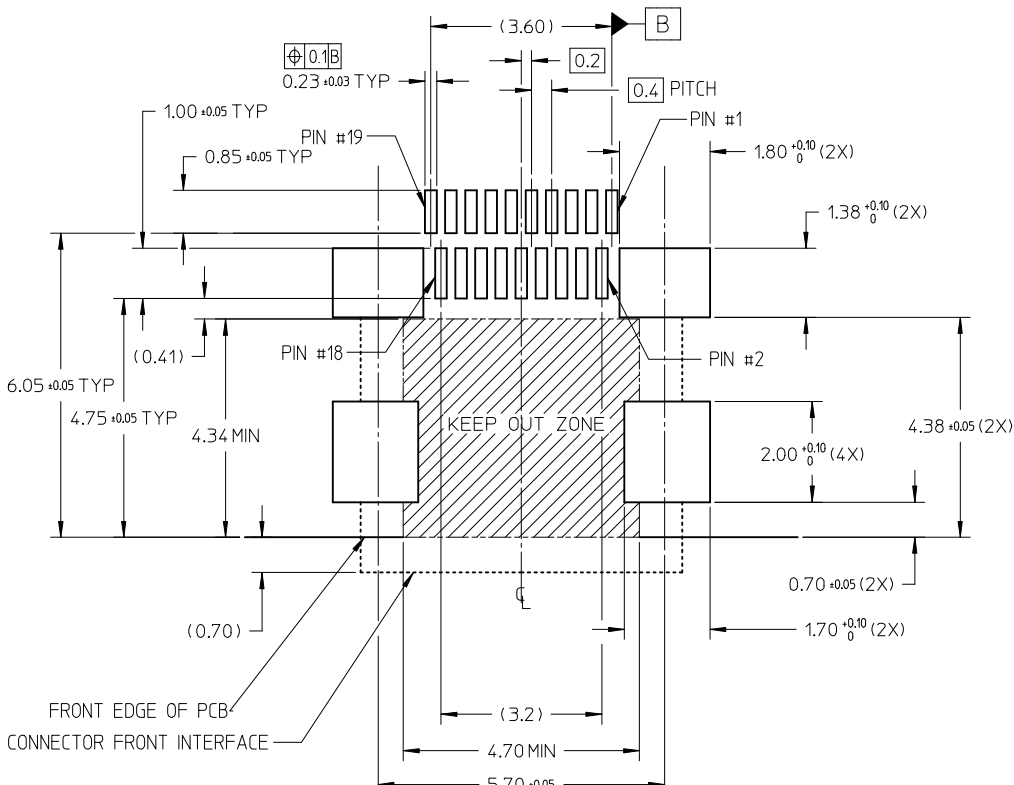


NOTES:

- MATERIALS:
HOUSING: LCP, 30% GLASS FILLED, UL94V-0
TERMINALS: BRASS ALLOY
SHIELD: STAINLESS STEEL
- FINISHES:
TERMINALS: 0.76UM MIN GOLD ON CONTACT AREA, 0.05UM MIN GOLD FLASH ON SOLDER TAILS, AND 2.0UM MIN NICKEL UNDERPLATE OVERALL
SHIELD: 3.8UM MIN MATTE TIN OVER 1.27UM MIN NICKEL
- PRODUCT SPECIFICATION: PS-46765-001
- PACKAGING SPECIFICATION: PACKED IN TAPE & REEL
- SEE SHEET 4 OF 5 FOR RECOMMENDED PCB LAYOUT
- TERMINAL SOLDER-TAIL COPLANARITY 0.08 MAX

MOUNTING TYPE	PART NUMBER
HYBRID TYPE+KAPTON TAPE	46765-2001
HYBRID TYPE	46765-2011

RELEASED EC NO: S2010-0287 DRW:KSSHANTHA 2009/10/05 CHKD:JESSIECHUA 2009/10/05 APPR:NAAGESHKN 2009/10/06	QUALITY SYMBOLS	GENERAL TOLERANCES (UNLESS SPECIFIED)	DIMENSION STYLE	SCALE	DESIGN UNITS	THIRD ANGLE PROJECTION
	▼=0 ◻=0	mm INCH 4 PLACES ± --- ± --- 3 PLACES ± --- ± --- 2 PLACES ± 0.1 ± --- 1 PLACE ± --- ± --- ANGULAR ± 2 °	MM ONLY	NTS	METRIC	
	REV	DRAFT WHERE APPLICABLE MUST REMAIN WITHIN DIMENSIONS	DRAWN BY: MKAMARAU CHECKED BY: MKAMARAU APPROVED BY: MBANAKIS MATERIAL NO.	DATE: 2008/10/14 DATE: 2008/10/14 DATE: 2008/10/14	TITLE	MICRO HDMI, TYPE-D 0.4MM PITCH, 19CKT RECEPTACLE CONNECTOR
	A3		SEE TABLE	MOLEX INCORPORATED DOCUMENT NO. SD-46765-001	SHEET NO.	3 OF 5

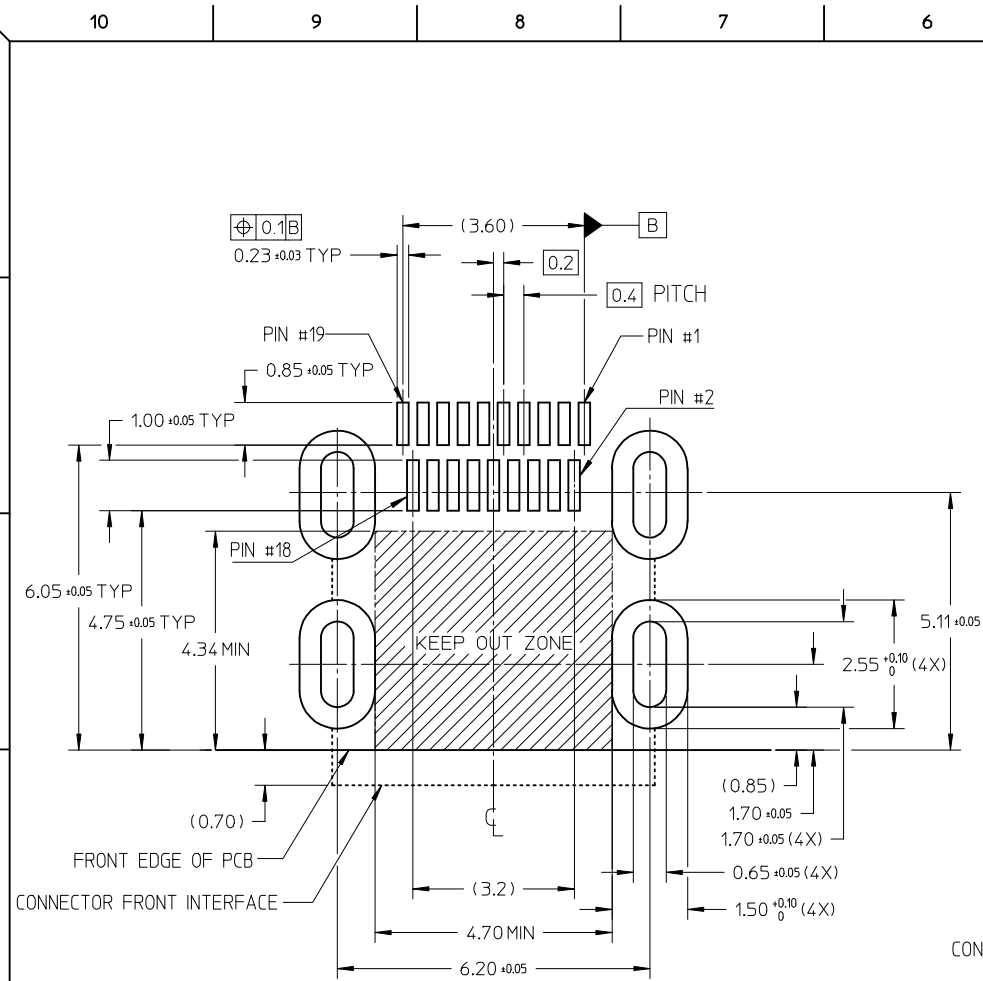


RECOMMENDED PCB LAYOUT
 COMPONENT SIDE OF BOARD
 SHEET 1 OF 5

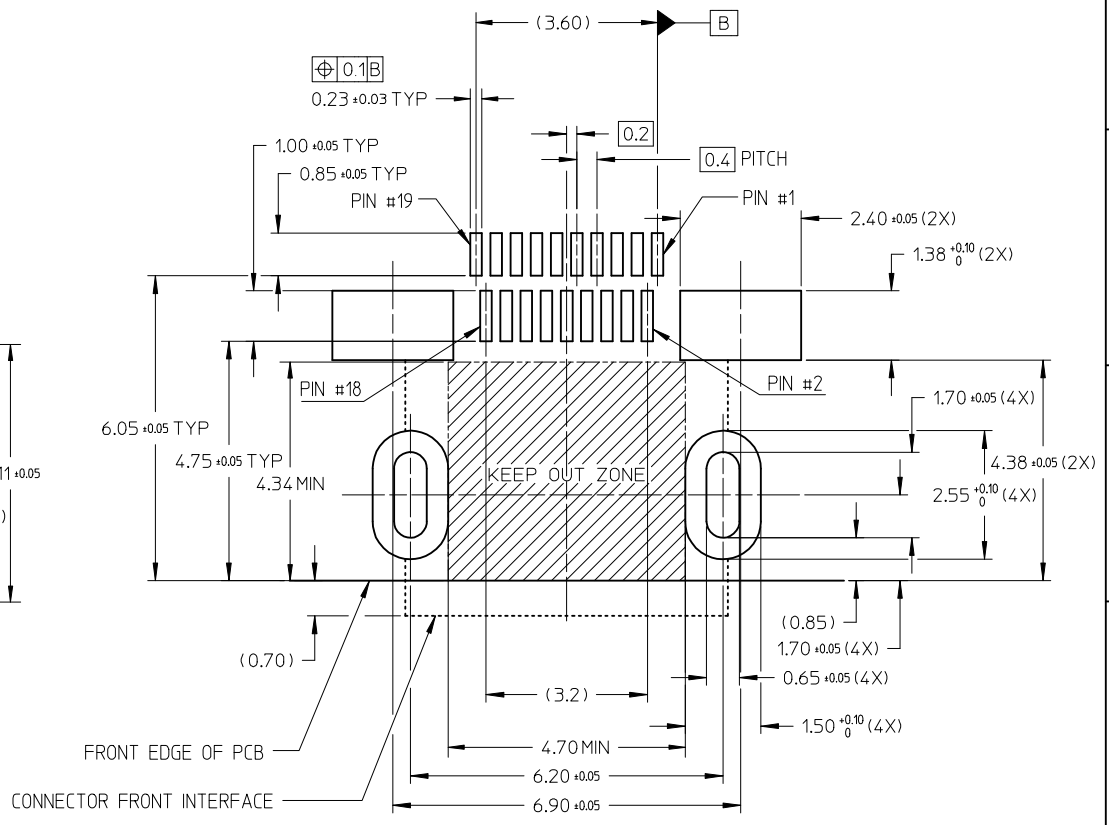
PIN	SIGNAL ASSIGNMENT
1	Hot Plug Detect
2	Utility
3	TMDS Data2+
4	TMDS Data2 Shield
5	TMDS Data2-
6	TMDS Data1+
7	TMDS Data1 Shield
8	TMDS Data1-
9	TMDS Data0+
10	TMDS Data0 Shield
11	TMDS Data0-
12	TMDS Clock+
13	TMDS Clock Shield
14	TMDS Clock-
15	CEC
16	DDC/CEC Ground
17	SCL
18	SDA
19	+5V Power

CONNECTION	SIGNALS
	TYPE D CONNECTOR
FIRST MAKE	CONNECTOR SHELL
SECOND MAKE	PINS 1 - 18
THIRD MAKE	PIN 19 (+5V POWER)

RELEASED EC NO: S2010-0287 DRINKSSHANITHA 2009/10/05 CHKD: JESSIECHUA 2009/10/05 APPR: MAGESHKN 2009/10/06	QUALITY SYMBOLS	GENERAL TOLERANCES (UNLESS SPECIFIED) <table border="1"> <thead> <tr> <th></th> <th>mm</th> <th>INCH</th> </tr> </thead> <tbody> <tr><td>4 PLACES</td><td>± ---</td><td>± ---</td></tr> <tr><td>3 PLACES</td><td>± ---</td><td>± ---</td></tr> <tr><td>2 PLACES</td><td>± 0.1</td><td>± ---</td></tr> <tr><td>1 PLACE</td><td>± ---</td><td>± ---</td></tr> </tbody> </table> ANGULAR ± 2 ° DRAFT WHERE APPLICABLE MUST REMAIN WITHIN DIMENSIONS		mm	INCH	4 PLACES	± ---	± ---	3 PLACES	± ---	± ---	2 PLACES	± 0.1	± ---	1 PLACE	± ---	± ---	DIMENSION STYLE	SCALE	DESIGN UNITS	THIRD ANGLE PROJECTION
			mm	INCH																	
	4 PLACES		± ---	± ---																	
	3 PLACES		± ---	± ---																	
	2 PLACES		± 0.1	± ---																	
1 PLACE	± ---	± ---																			
	MM ONLY	NTS	METRIC																		
	<table border="1"> <thead> <tr> <th>DRAWN BY</th> <th>DATE</th> <th>TITLE</th> </tr> </thead> <tbody> <tr> <td>MKAMARAU</td> <td>2008/10/14</td> <td rowspan="5"> MICRO HDMI, TYPE-D 0.4MM PITCH, 19CKT RECEPTACLE CONNECTOR MOLEX INCORPORATED </td> </tr> <tr> <td>CHECKED BY</td> <td>DATE</td> </tr> <tr> <td>MKAMARAU</td> <td>2008/10/14</td> </tr> <tr> <td>APPROVED BY</td> <td>DATE</td> </tr> <tr> <td>MBANAKIS</td> <td>2008/10/14</td> </tr> </tbody> </table>	DRAWN BY	DATE	TITLE	MKAMARAU	2008/10/14	MICRO HDMI, TYPE-D 0.4MM PITCH, 19CKT RECEPTACLE CONNECTOR MOLEX INCORPORATED	CHECKED BY	DATE	MKAMARAU	2008/10/14	APPROVED BY	DATE	MBANAKIS	2008/10/14	<table border="1"> <thead> <tr> <th>DOCUMENT NO.</th> <th>SHEET NO.</th> </tr> </thead> <tbody> <tr> <td>SD-46765-001</td> <td>4 OF 5</td> </tr> </tbody> </table>	DOCUMENT NO.	SHEET NO.	SD-46765-001	4 OF 5	
DRAWN BY	DATE	TITLE																			
MKAMARAU	2008/10/14	MICRO HDMI, TYPE-D 0.4MM PITCH, 19CKT RECEPTACLE CONNECTOR MOLEX INCORPORATED																			
CHECKED BY	DATE																				
MKAMARAU	2008/10/14																				
APPROVED BY	DATE																				
MBANAKIS	2008/10/14																				
DOCUMENT NO.	SHEET NO.																				
SD-46765-001	4 OF 5																				
	SEE TABLE	THIS DRAWING CONTAINS INFORMATION THAT IS PROPRIETARY TO MOLEX INCORPORATED AND SHOULD NOT BE USED WITHOUT WRITTEN PERMISSION																			



RECOMMENDED PCB LAYOUT
COMPONENT SIDE OF BOARD
SHEET 2 OF 5



RECOMMENDED PCB LAYOUT
COMPONENT SIDE OF BOARD
SHEET 3 OF 5

RELEASED EC NO: S2010-0287 DRWN: KSSHANTHA 2009/10/05 CHKD: JESSIECHUA 2009/10/05 APPR: NAGESHKN 2009/10/06	DESCRIPTION A3	QUALITY SYMBOLS	GENERAL TOLERANCES (UNLESS SPECIFIED)	DIMENSION STYLE	SCALE	DESIGN UNITS	THIRD ANGLE PROJECTION	
		$\nabla=0$ $\square=0$	mm INCH 4 PLACES ± --- ± --- 3 PLACES ± --- ± --- 2 PLACES ± 0.1 ± --- 1 PLACE ± --- ± --- ANGULAR ± 2 °	MM ONLY	NTS	METRIC		
			DRAFT WHERE APPLICABLE MUST REMAIN WITHIN DIMENSIONS	DRAWN BY	DATE	TITLE		
				MBANAKIS	2008/10/14	MICRO HDMI, TYPE-D 0.4MM PITCH, 19CKT RECEPTACLE CONNECTOR		
				MATERIAL NO.	2008/10/14	MOLEX INCORPORATED		
			SEE TABLE	DOCUMENT NO.	SD-46765-001		SHEET NO.	
				THIS DRAWING CONTAINS INFORMATION THAT IS PROPRIETARY TO MOLEX INCORPORATED AND SHOULD NOT BE USED WITHOUT WRITTEN PERMISSION			5 OF 5	