

CSM-7XDU SMD CRYSTAL



- -55 ~ +125°C Temp Range
- Low Profile
- Industry Standard Footprint
- Pb Free/RoHS Compliant

DIMENSIONS (mm)

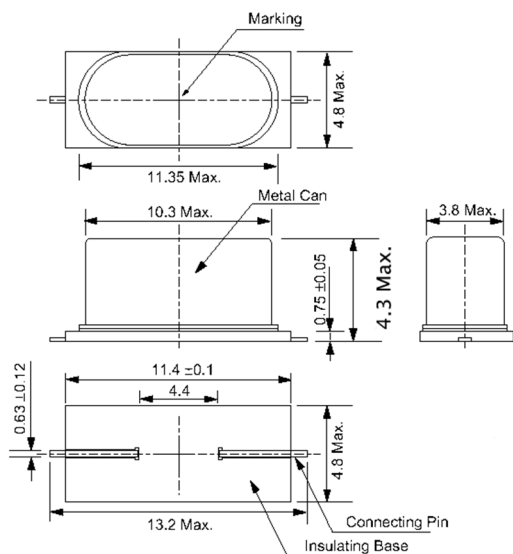


Figure 1) Top, Side, Bottom, and End

Crystal is symmetrical, pin 1 & 2 are interchangeable.

OPERATING CONDITIONS / ELECTRICAL CHARACTERISTICS

PARAMETERS	CONDITIONS	CSM-7XDU			UNITS
		MIN	TYP	MAX	
Frequency		3.57		70.000	MHz
Frequency Tolerance	@ +25°C			± 30	ppm
Frequency Stability	-55 ~ +125°C			± 100	ppm
Shunt Capacitance	Co			7	pF
Load Capacitance	Specify in P/N	10	20	Series	pF
Drive Level	DL			500	μW
Operating Temperature	Topr	-55		+125	°C
Storage Temperature	Tstg	-55		+125	°C
Aging (First Year)	@ +25°C ±3°C			±5	ppm

EQUIVALENT SERIES RESISTANCE/MODE OF OSCILLATION

Frequency (MHz)	ESR Ω Max.	Mode of Osc.
3.57 ~ 4.999	150	Fundamental
5.000 ~ 5.999	80	Fundamental
6.000 ~ 6.999	70	Fundamental
7.000 ~ 8.999	60	Fundamental
9.000 ~ 12.999	50	Fundamental
13.000 ~ 19.999	40	Fundamental
20.000 ~ 40.000	30	Fundamental
40.000 ~ 70.000	80	3 rd Overtone

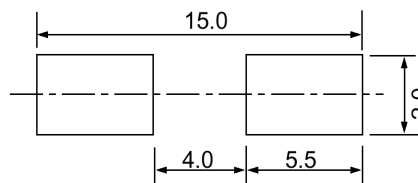
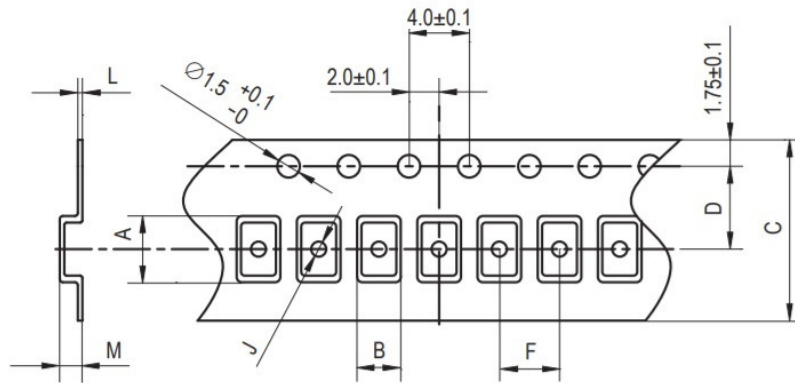


Figure 2) Suggested land

PART NUMBERING GUIDE: Example ECS-200-20-5PXDU-TR

ECS -	FREQUENCY ABBREVIATION	LOAD CAPACITANCE	PACKAGE	Stability	Temperature	PACKAGING
ECS	200 = 20.000 MHz See P/N Guide	20 = 20 pF 10 = 10 pF S = Series	5PX = 4.3 mm	D = ±100 ppm	U = -55 ~ +125°C	TR = Tape & Reel 1K/Reel

POCKET TAPE DIMENSIONS (mm)



A	B	C	D	F	J	L	M	Reel Dia.	Qty/Reel
15.4	5.3	24.0	11.5	12.0	1.7	0.4	4.4	300	1000pcs

SOLDER PROFILE

Peak solder Temp +260°C Max 10 sec Max.

2 Cycles Max.

MSL 1, Lead Finish Sn/Cu Matte

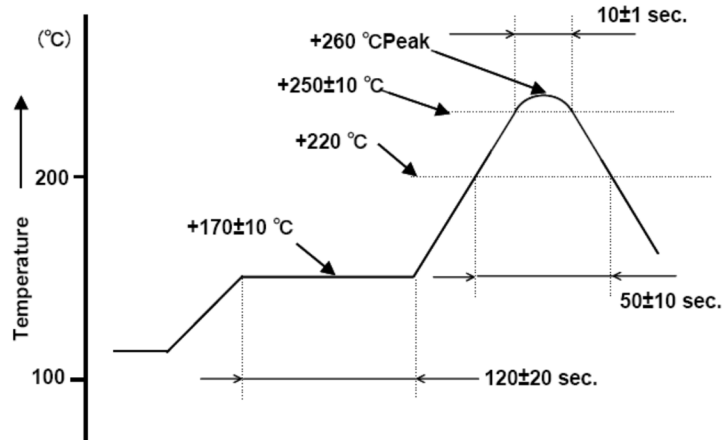


Figure 1) Suggested Reflow Profile

Mouser Electronics

Authorized Distributor

Click to View Pricing, Inventory, Delivery & Lifecycle Information:

ECS:

[ECS-240-20-5PXDU-TR](#) [ECS-122.8-20-5PXDU-TR](#) [ECS-36-20-5PXDU-TR](#) [ECS-35-18-5PXDU-TR](#) [ECS-250-20-5PXDU-F-TR](#) [ECS-245.7-20-5PXDU-TR](#) [ECS-160-20-5PXDU-TR](#) [ECS-270-20-5PXDU-F-TR](#) [ECS-40-20-5PXDU-TR](#) [ECS-98.3-20-5PXDU-TR](#) [ECS-110.5-20-5PXDU-TR](#) [ECS-80-20-5PXDU-TR](#) [ECS-143-20-5PXDU-TR](#) [ECS-200-20-5PXDU-TR](#) [ECS-120-32-5PXDU-TR](#) [ECS-60-20-5PXDU-TR](#) [ECS-184-20-5PXDU-TR](#) [ECS-147.4-20-5PXDU-TR](#) [ECS-120-18-5PXDU-TR](#) [ECS-120-18-5P](#) [ECS-196-20-5P-TR](#) [ECS-36-20-5P](#) [ECS-250-14-5P-DN-TR](#) [ECS-160-20-5P](#) [ECS-250-18-5P-TR](#) [ECS-250-20-5P-DN-TR](#) [ECS-65.5-S-5P-TR](#) [ECS-180-S-5P-DN-TR](#) [ECS250-18-5P-TR](#) [ECS-200-20-5PL-TR](#)