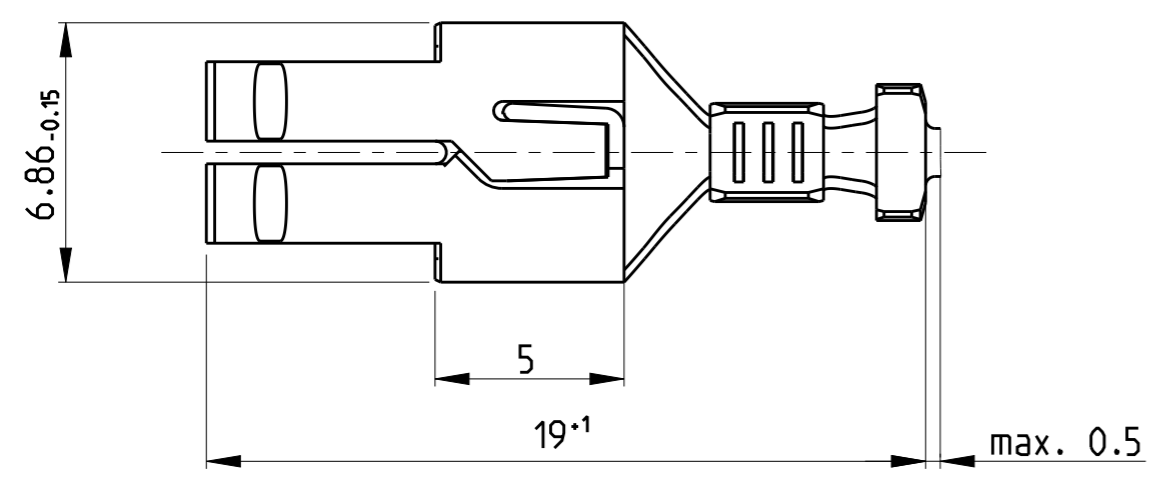
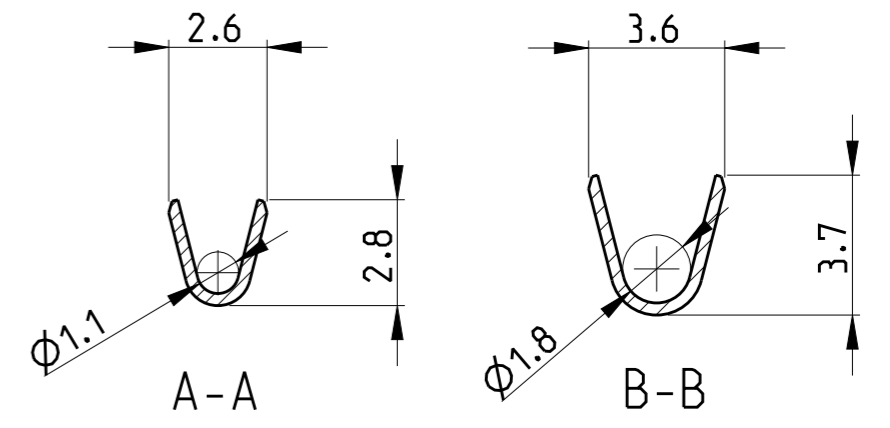
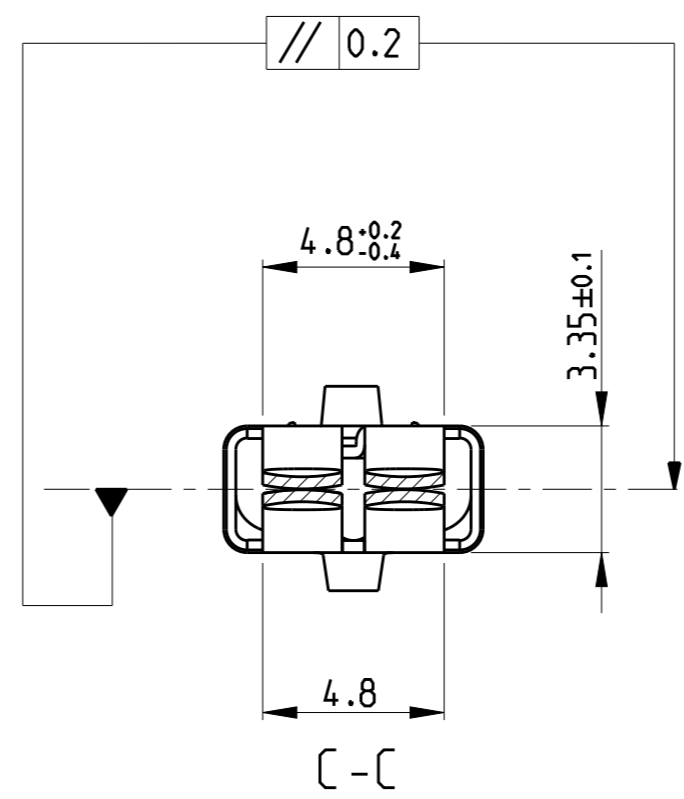
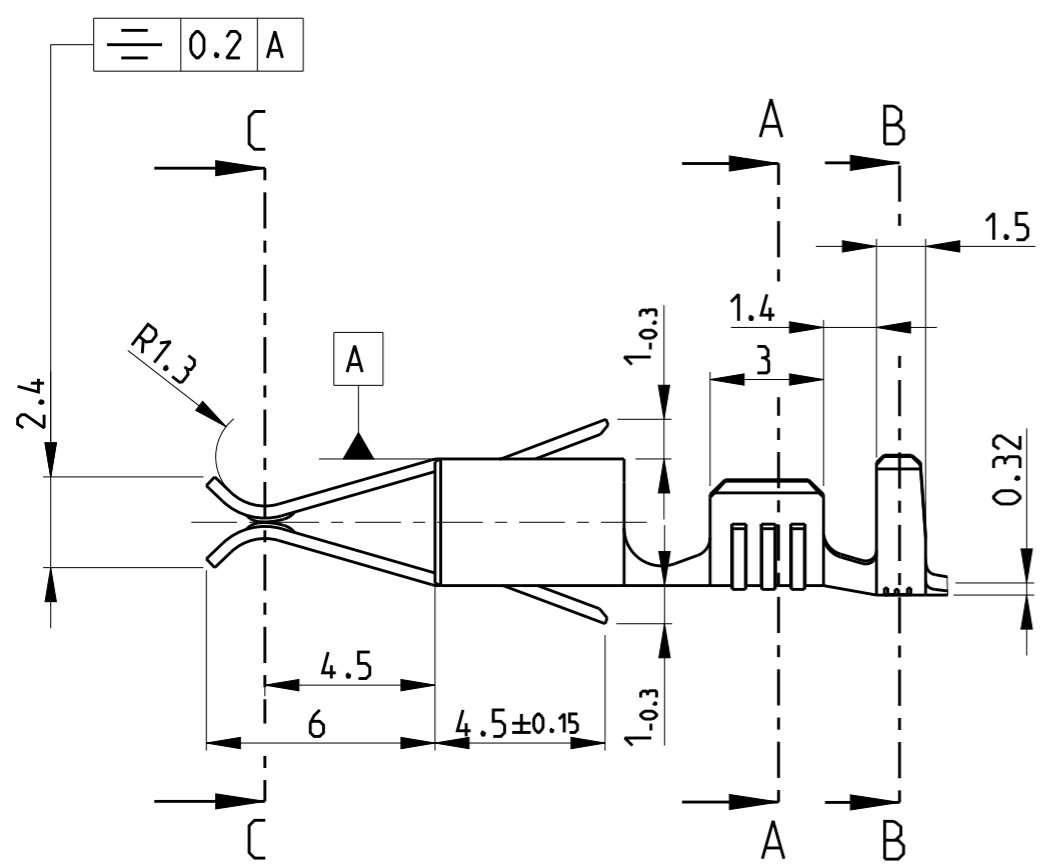


THIS DRAWING IS UNPUBLISHED. RELEASED FOR PUBLICATION 2011
 © COPYRIGHT 2011 ALL RIGHTS RESERVED.

| LOC | DIST | REVISIONS | | | |
|-----|------|---------------|-----------|-----|------|
| P | LTR | DESCRIPTION | DATE | DWN | APVD |
| | C2 | ECR-14-017645 | 28NOV2014 | SK | JP |
| | C3 | ECR-15-016432 | 18NOV2015 | KD | RR |
| | C4 | ECR-15-018664 | 28DEC2015 | KD | RR |
| | C5 | ECR-17-005296 | 12APR2017 | KD | RR |




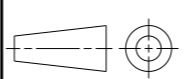
WIRE CRIMP SELECTION TABLE
 WIRE: "F" CRIMP
 INSULATION: OVERLAPPING CRIMP

| WIRE CROSS SECTION (mm ²) | | | | | |
|---------------------------------------|---------------------------------------|------|------|------|--|
| SINGLE WIRE | WIRE CROSS SECTION (mm ²) | | | | |
| | 0.35 | 0.50 | 0.75 | 1.00 | |
| 0.35 | X | X | | | |
| 0.50 | X | X | X | | |
| 0.75 | X | | | | |
| 1.00 | X | | | | |

| LOOSE PIECE | FINISH | MATERIAL | PART NO. | REV. |
|-------------|---------|----------|----------|------|
| - | PRE-TIN | CuNiSi | 964201-4 | C |
| - | PRE-TIN | CuFe | 964201-3 | C |
| - | PRE-TIN | CuSn | 964201-2 | C |
| - | PRE-TIN | CuZn30 | 964201-1 | C |

SINGLE WIRE RANGE: 0.5 - 1.0 mm²
 INSULATION RANGE: Ø1.4 - 2.3 mm

THIS DRAWING IS A CONTROLLED DOCUMENT.

| | | | |
|---|--|--------------------------|---|
| DIMENSIONS: mm | TOLERANCES UNLESS OTHERWISE SPECIFIED: | DWN J. Salo 20-AUG-10 |  TE Connectivity |
|  | 0 PLC ±0.2 | CHK R. Sole 25AUG2010 | |
| | 1 PLC ±0.2 | APVD L. Batllo 25AUG2010 | |
| | 2 PLC ±0.2 | PRODUCT SPEC | |
| | 3 PLC ±0.2 | APPLICATION SPEC | NAME STANDARD TIMER CONTACT WITH TWO LOCKING LANCES |
| | 4 PLC ±0.2 | WEIGHT - | SIZE A3 CAGE CODE - DRAWING NO C-964201 RESTRICTED TO - |
| MATERIAL - | FINISH - | CUSTOMER DRAWING | SCALE 5:1 SHEET 1 OF 2 REV C5 |

THIS DRAWING IS UNPUBLISHED.

RELEASED FOR PUBLICATION

2011

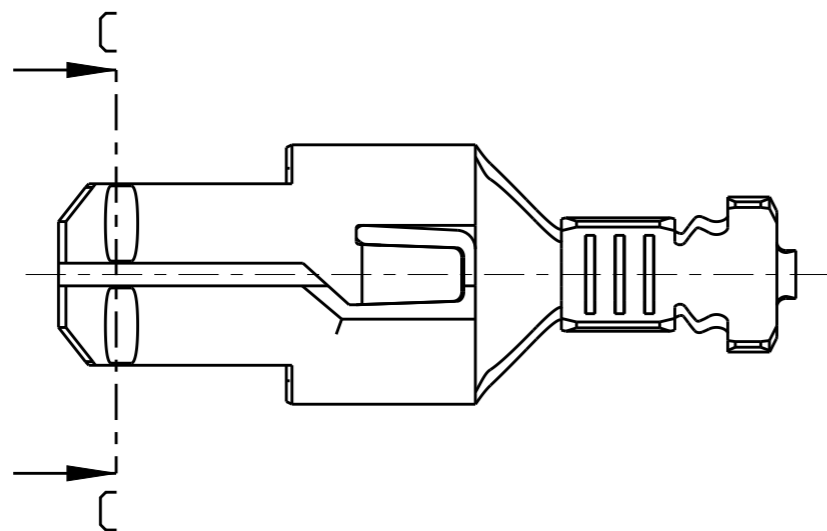
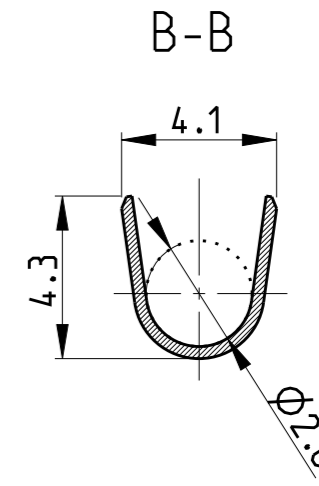
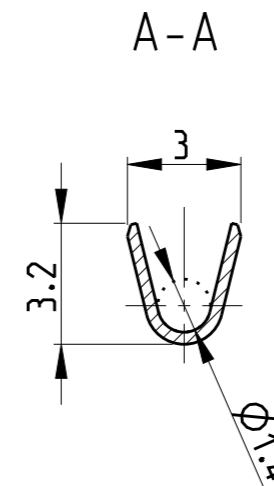
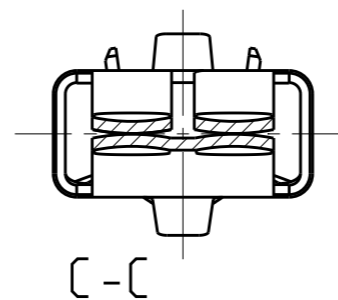
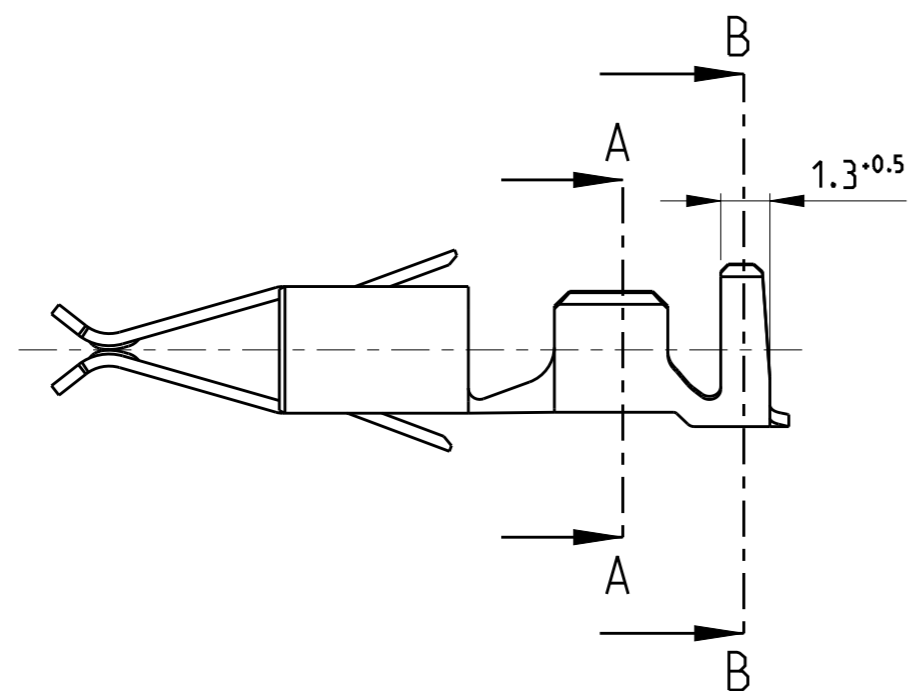
© COPYRIGHT 2011

ALL RIGHTS RESERVED.

LOC DIST

REVISIONS

| P | LTR | DESCRIPTION | DATE | DWN | APVD |
|---|-----|-------------|------|-----|------|
| - | - | SEE SHEET 1 | - | - | - |



WIRE CROSS SECTION (mm²)

| | SINGLE WIRE | 0.50 | 0.75 | 1.00 | 1.50 |
|------|-------------|------|------|------|------|
| 0.50 | X | X | | | |
| 0.75 | X | | | | |
| 1.00 | X | | | | |
| 1.50 | X | | | | |

ATTENTION!
 ONLY FOR 3-969036-4
 OTHER DIMENSION SEE SHEET 1

| | | | | |
|-------------|---------|----------|------------|------|
| - | PRE-TIN | CuNiSi | 3-969036-4 | A |
| LOOSE PIECE | FINISH | MATERIAL | PART NO. | REV. |

THIS DRAWING IS A CONTROLLED DOCUMENT.

DWN J. Salo 20-AUG-10
 CHK R. Sole 25AUG2010
 APVD L. Batllo 25AUG2010

STE TE Connectivity

NAME STANDARD TIMER CONTACT WITH TWO LOCKING LANCES

PRODUCT SPEC -
 APPLICATION SPEC -
 WEIGHT -

SIZE A3 CAGE CODE - DRAWING NO C-964201 RESTRICTED TO -

CUSTOMER DRAWING SCALE 5:1 SHEET 2 OF 2 REV C5

| | |
|-------------------|---|
| DIMENSIONS: mm | TOLERANCES UNLESS OTHERWISE SPECIFIED: ±0.2 ±1° |
| MATERIAL - | FINISH - |

WIRE RANGE: 0.5 - 1.5 mm²
 INSULATION RANGE: Ø2.0 - 3.0 mm