

1 2 3 4 5 6 7 8

A

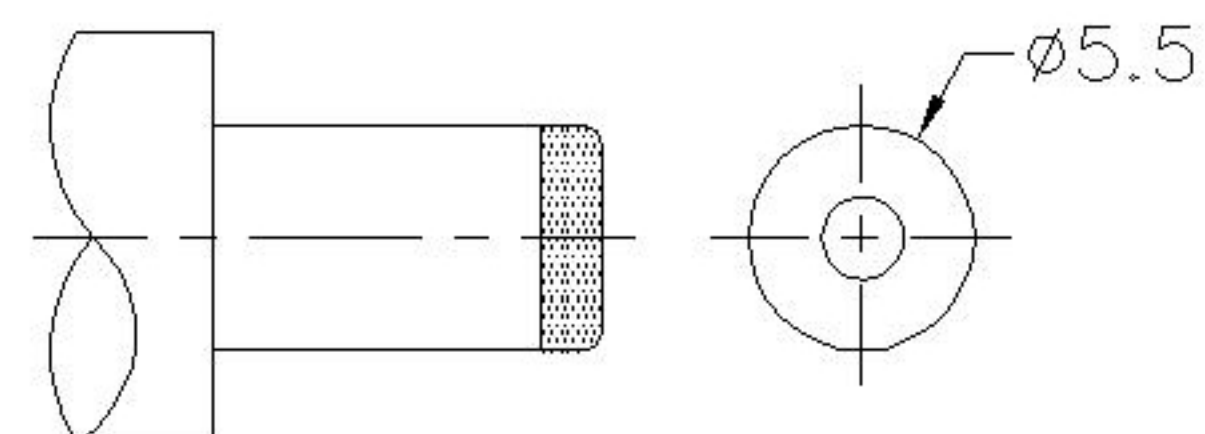
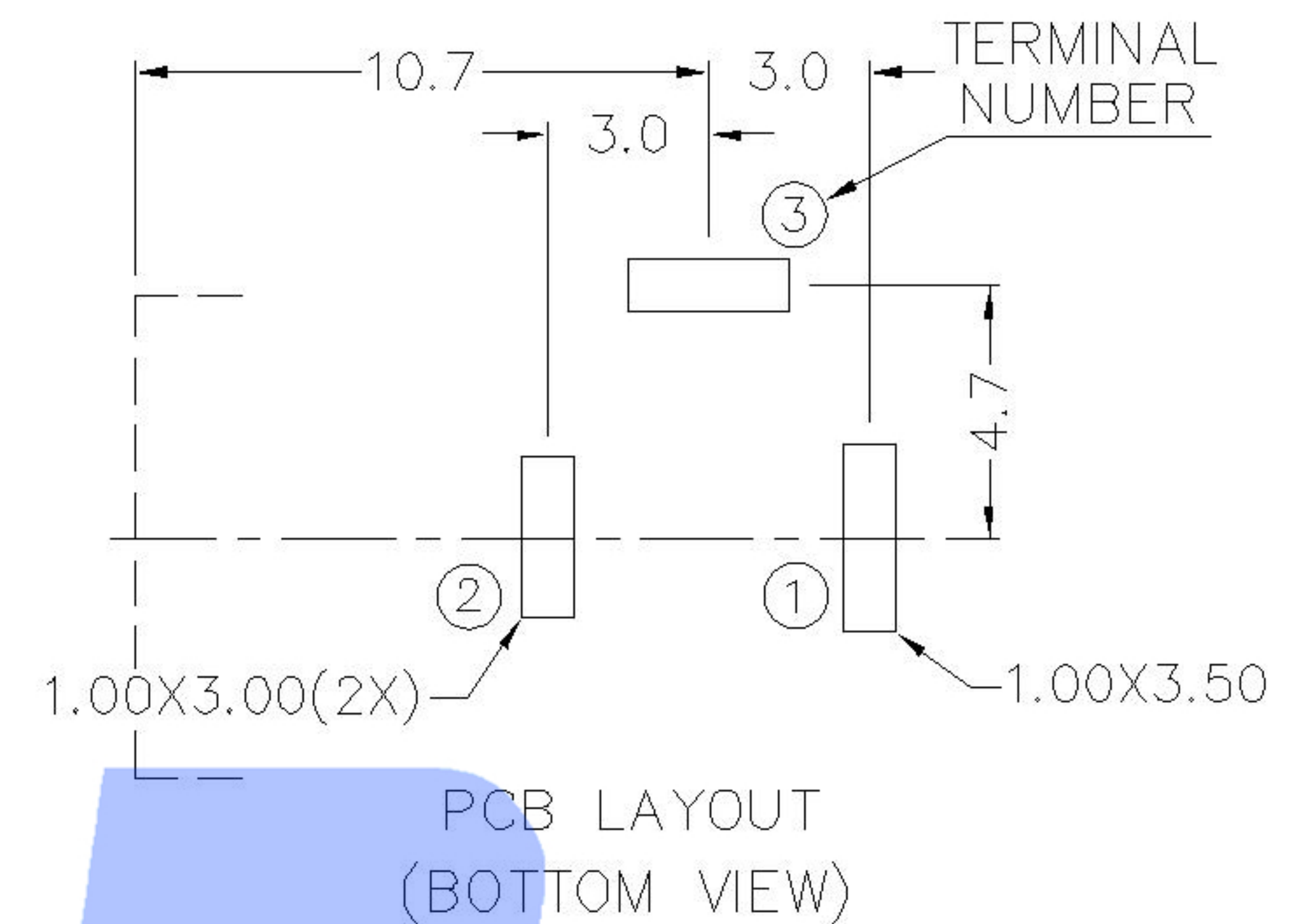
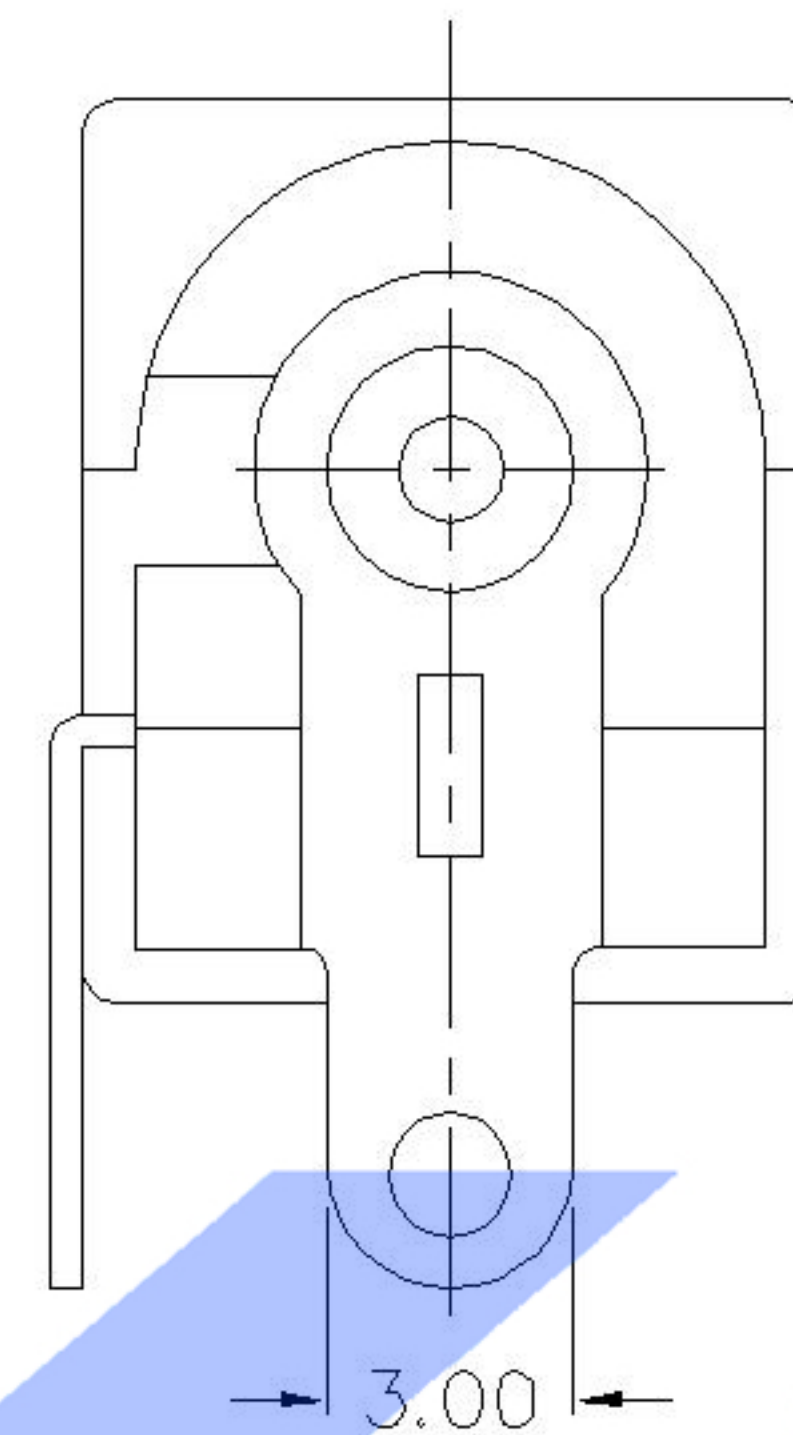
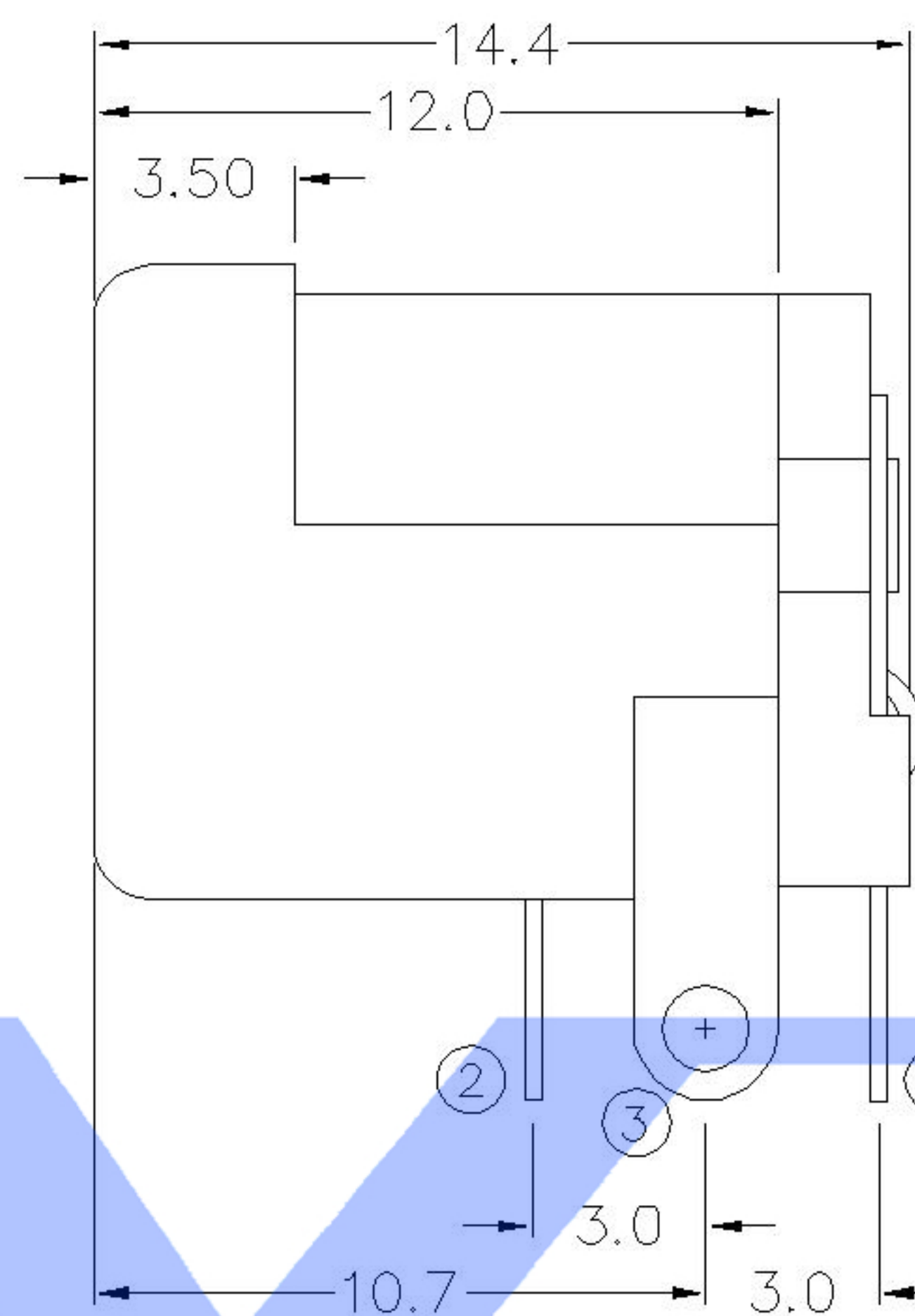
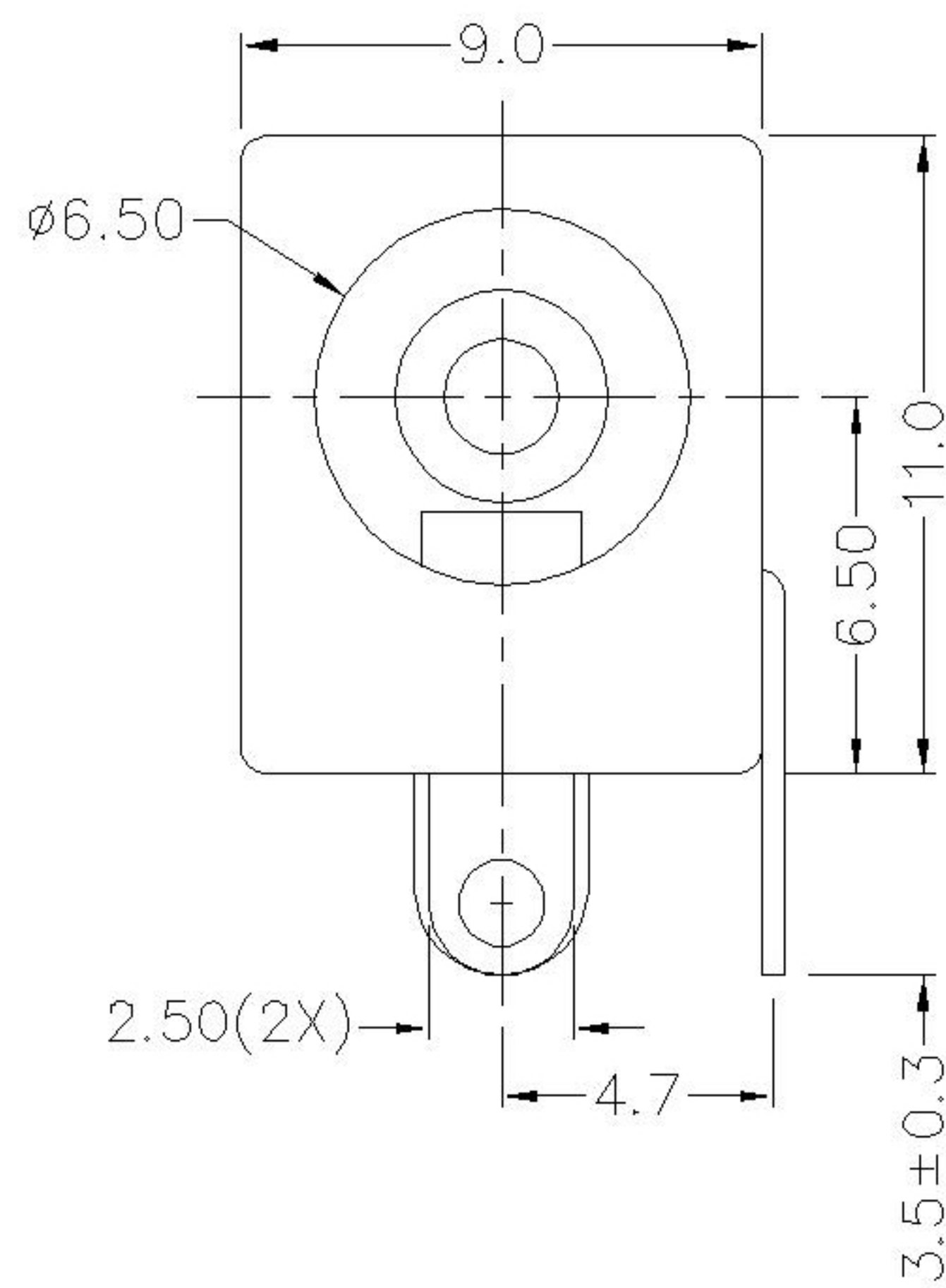
B

C

D

E

F

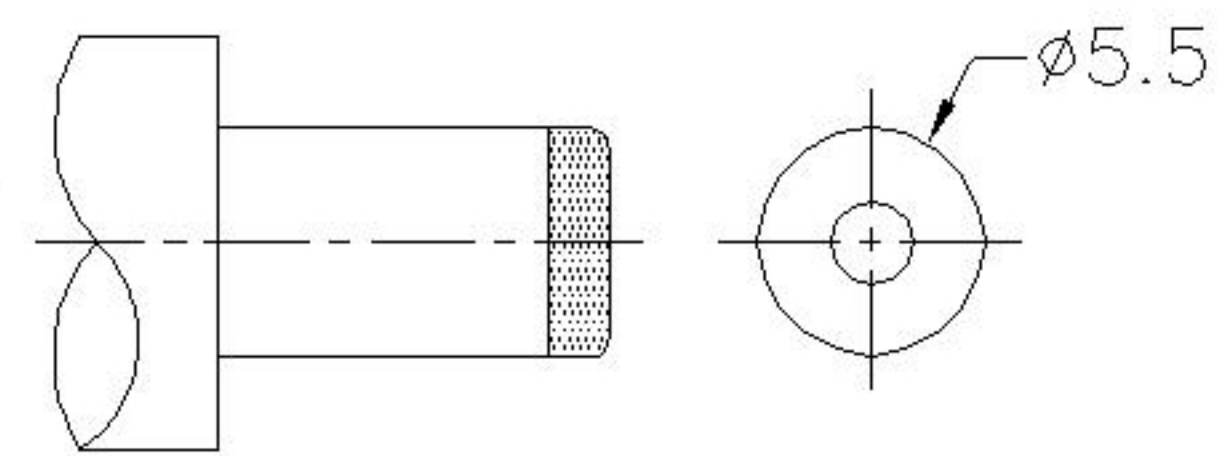


DC MATE PLUG

- SPECIFICATIONS:**
- ELECTRICAL CHARACTERISTICS:**
 - RATING:
 - CONTACT RESISTANCE: 30mΩ MAX.(INITIAL)
 - DIELECTRIC WITHSTANDING VOLTAGE: 500V AC FOR ONE MINUTE
 - INSULATION RESISTANCE: 100MΩ MIN. MEASURED BY 500V DC
 - MECHANICAL CHARACTERISTICS:**
 - INSERTION FORCE : 0.3~3.0 KGF
 - WITHDRAWAL FORCE : 0.3~3.0 KGF
 - LIFE TEST: 5,000 CYCLES MIN.
 - FOR REFLOW SOLDERING LEAD-FREE PROCESS.
 - * REPRESENT CRITICAL DIMENSIONS.

SWITCH CONNECTOR

SCHEMATIC	
Model	DC-005
Center Pin	1.65
	2.0
	2.5



MATING PLUG
Jack Insertion Depth: 9.0 mm

	MATERIAL	PLATING
center pin	copper	nickel
terminal 1	brass	tin
terminal 2	copper alloy	tin
terminal 3	brass	tin
plastic	PBT	

DSND	DATE	SCALE: N/A	MODEL TYPE: DC POWER JACK
DWN	DATE	VIEW:	PART NO.:
CHKD	DATE	UNIT: mm	DWG NO.:
APPD	DATE	SIZE: A4	DC-005-2.5A-2.5
UNSPECIFIED TOLERANCES		WEIGHT	SHEET
		1.0g	1/1
		REVISION	
		A0	

MARK	DESCRIPTION	DATE	REVISED	APPROVED	ANGULAR	
△ X					±5°	
△ X					L ≤ 4	±0.2
△ X					4 < L ≤ 16	±0.3
					16 < L ≤ 63	±0.4
					L > 63	±0.5

1 2 3 4 5 6 7 8

A

B

C

D

E

F

XKB INDUSTRIAL PRECISION CO., LIMITED