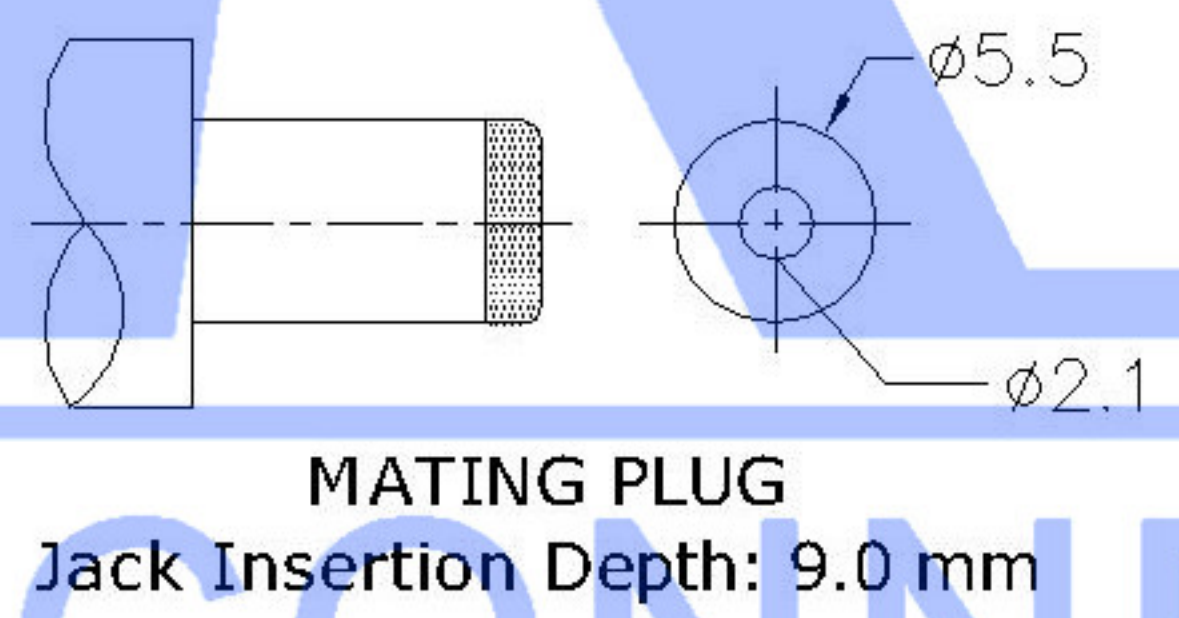
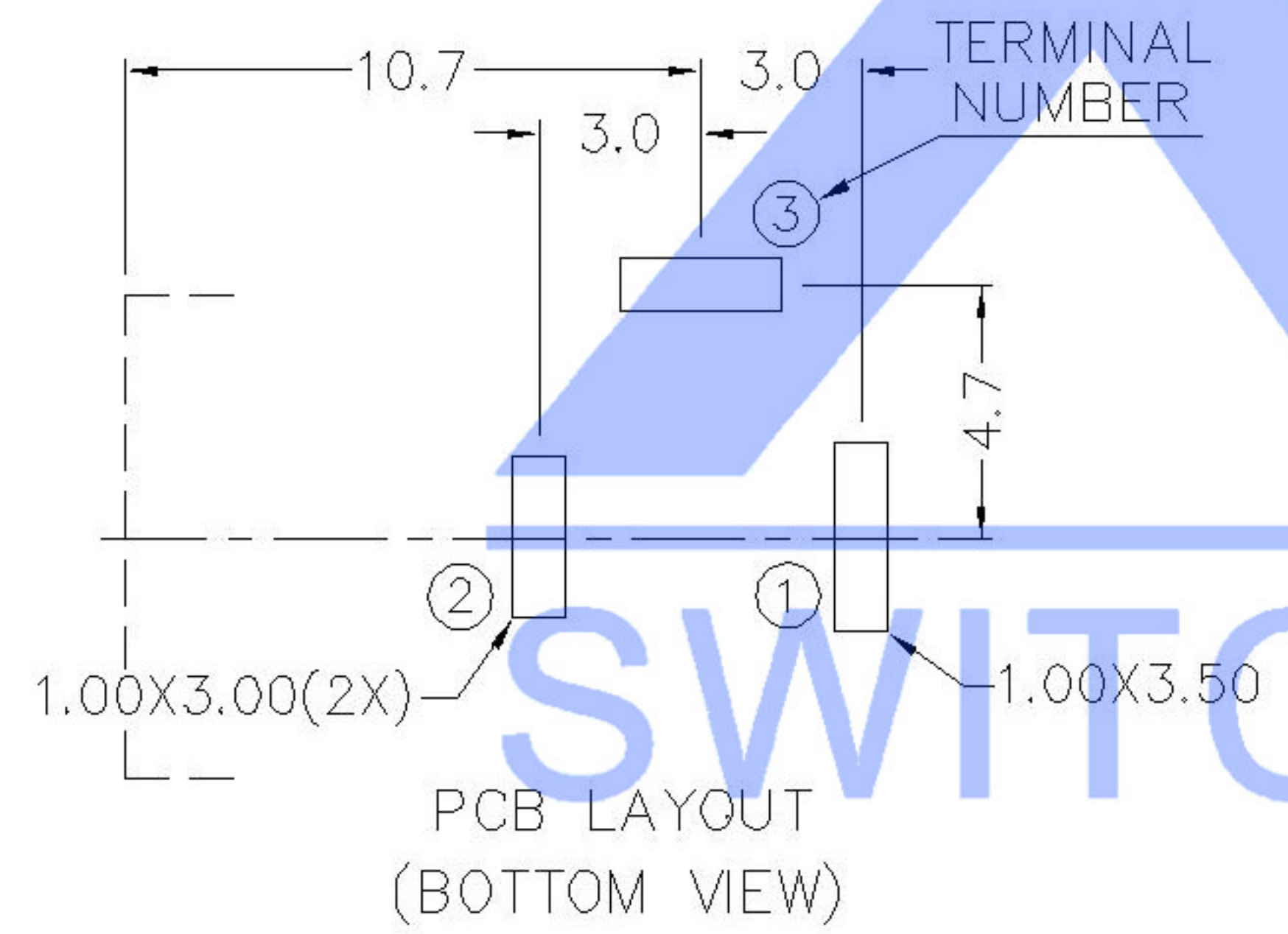


- SPECIFICATIONS:
- ELECTRICAL CHARACTERISTICS:
 - RATING:
 - CONTACT RESISTANCE: 30mΩ MAX.(INITIAL)
 - DIELECTRIC WITHSTANDING VOLTAGE: 500V AC FOR ONE MINUTE
 - INSULATION RESISTANCE: 100MΩ MIN. MEASURED BY 500V DC
 - MECHANICAL CHARACTERISTICS:
 - INSERTION FORCE : 0.3~3.0 KGF
 - WITHDRAWAL FORCE : 0.3~3.0 KGF
 - LIFE TEST: 5,000 CYCLES MIN.
 - FOR REFLOW SOLDERING LEAD-FREE PROCESS.
 - * REPRESENT CRITICAL DIMENSIONS.



SCHEMATIC	
Model	DC-005
Center Pin	1.65
	2.0
	2.5

	MATERIAL	PLATING
center pin	Brass	tin
terminal 1	Brass	tin
terminal 2	Phosphor Bronze	tin
terminal 3	Brass	tin
plastic	Pbt	

MARK	DESCRIPTION	DATE	REVISED	APPROVED	UNSPECIFIED TOLERANCES	DSND	DATE	SCALE: N/A	MODEL TYPE: DC POWER JACK
ΔX					ANGLAR ±5°	DWN	DATE	VIEW:	PART NO.:
ΔX					X.X ±0.2mm	CHKD	DATE	UNIT: mm	DWG NO.:
ΔX					X.XX ±0.1mm	APPD	DATE	SIZE: A4	DC-005-2.5A-2.0
MARK					X.XXX ±0.05mm	XKB INDUSTRIAL PRECISION CO.,LIMITED			WEIGHT 1.0g
REVISIONS									SHEET 1/1
www.xk-dg.cn www.helloxkb.com www.helloxkb.cn									REVISION A0