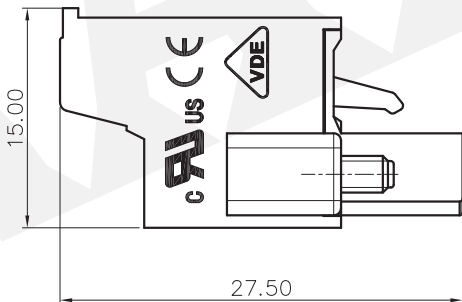
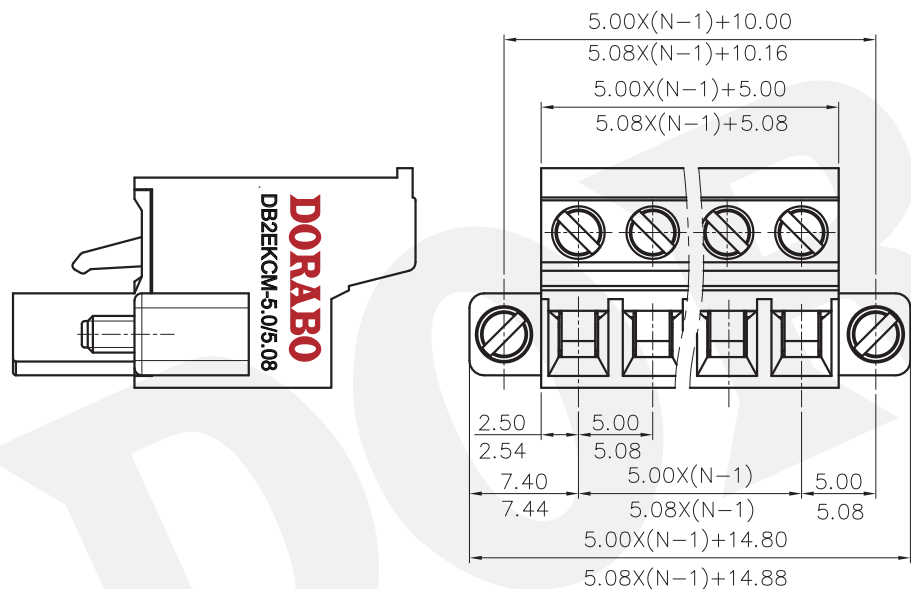
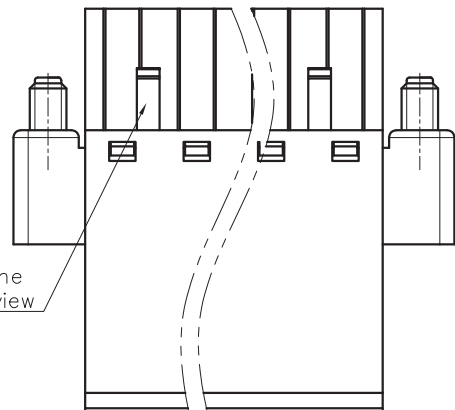


REVISION RECORD				
REV	ECN	DESCRIPTION	DRFT	DATE

H  
G  
F  
E  
D  
C  
B  
A

02P: Clasp on the left from this view



NOTES1:

UL Standard

1. Rated voltage/current : 300V / 10A
2. Withstanding voltage : AC1600V/1Min.
3. Torque value : M2.5 , 3.54Lb.in
4. Wire range : 28~12AWG

IEC Standard

1. Pollution Degree	2
Overvoltage Category	III
Rate Impulse Voltage(KV)	4.0KV
Rate Voltage(V)	320V
Rate Current(A)	20A

2. Torque value : M2.5 , 0.4N·m
3. Wire range : 0.2~2.5mm<sup>2</sup>

NOTES2:

1. Dimension shall be interpreted per ASME Y14.5-2009
2. Pitch : 5.0/5.08mm, Poles : N=02~24P
3. Stripping length : 9~10mm
4. Operating temperature: -40°C~+105°C
5. Undimensioned tolerances:

Pitch range in mm		Nominal dimension range in mm						0.1/10
To	TO	Over 6 TO 10	Over 10 TO 24	Over 30 TO 60	Over 60 TO 100	Over 100 TO 150	Over 150	
±0.15	±0.20	±0.30	±0.30	±0.50	±0.70	±1.00	±1.30	±2'

6. RoHS Compliance

DB2EKCM - 5.0/5.08 - XXP - 1Y - 00A (H)  
 (Series No.) (Pitch) (Poles) (Single Pitch) (RoHS) 00A-(Standard)  
 (Color): 1.(Grey) 2.(Blue) 3.(Black) 4.(Green) 5.(Orange)  
 6.(Red) 7.(Transparent) 8.(Yellow) 9.(White)

DETACHED LISTS	PART NO.:	/			
	APPD:	/			
	CHKD:	/			
	DRFT:	/			
	<p>THIRD ANGLE PROJECTION</p>		<p><b>DORABO</b> 慈溪市地博电子有限公司 CIXI DORABO ELECTRONICS CO.,LTD</p>		
	<p>NAME: DB2EKCM-5.0/5.08-XXP-1Y-00A(H)</p>		<p>TITLE: CUSTOMER DRAWING</p>		
	<p>DRAWING NO.: /</p>		<p>REV</p>		<p>DO</p>
	<p>MM (INCH)</p>		<p>DO NOT SCALE DRAWING</p>		<p>SHEET 1/1</p>
			<p>SCALE</p>		<p>1:1</p>

H  
G  
F  
E  
D  
C  
B  
A