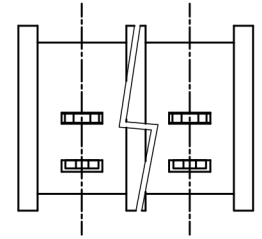
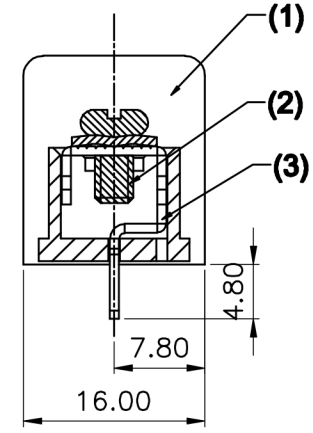
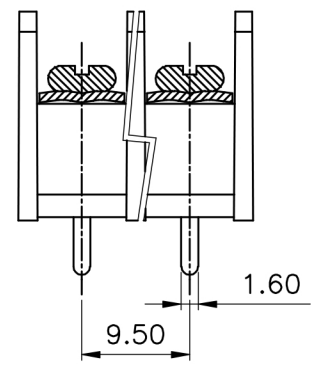
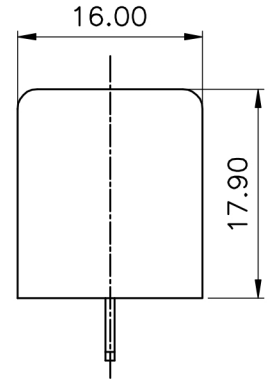
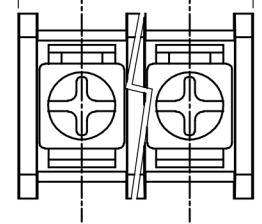


REV.	DESCRIPTION	DRAWN	CHECKED	APPROVED
A		/08/15'		

$$9.50*(N-1)+11.40$$



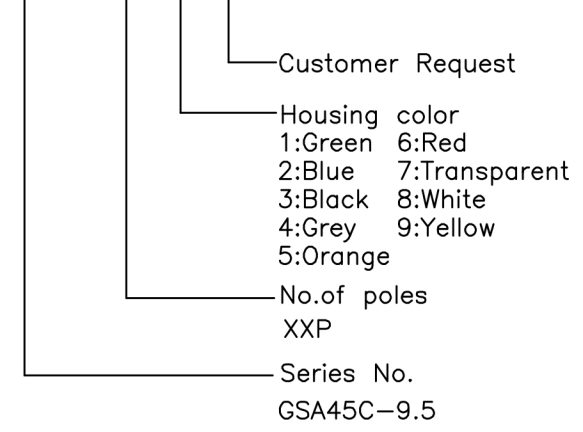
Notes:

.Electrical      UL:      IEC:  
Rated voltage : 300V      750V  
Rated current : 25A      32A  
Contact resistance:20mΩ  
Insulation resistance:500MΩ/DC500V  
Withstanding Voltage: AC2000V/Min  
Wire range: 22-12AWG 4.0mm\*

.Mechanical  
Temp.range:-40°C~+105°C  
Torque: 0.5Nm(4.4Lb.in)  
Strip length: 6-7mm

Product Number Code:

GSA45C -XXP-X-XXX



GENERAL TOLERANCE		ANGLE TOLERANCE	
>120	±0.50		
>30~120	±0.30	X.	±3'
>6~30	±0.20	.X	±2'
0~6	±0.10	.XX	±1'



Cixi Dibo Electronics Co.,LTD

ITEM	NAME	QTY	PART.NO.	MATL.	DWG. NO.	NOTE
3	Pin	N		Brass		Tin plated
2	Screws M3	N		Steel C10 22		Zinc plated
1	Housing	1		PA66 UL94 V-0		

DRAWING TYPE	CUSTOMER	PROJECTION	TITLE
SCALE	1:1	UNITS	mm
DRAWING NO.	DBT30C-9.5	SHEET SIZE	A4
		SHEET	1 OF 1
		SERIES	PCB TERMINAL BLOCK
			PITCH: 9.50mm