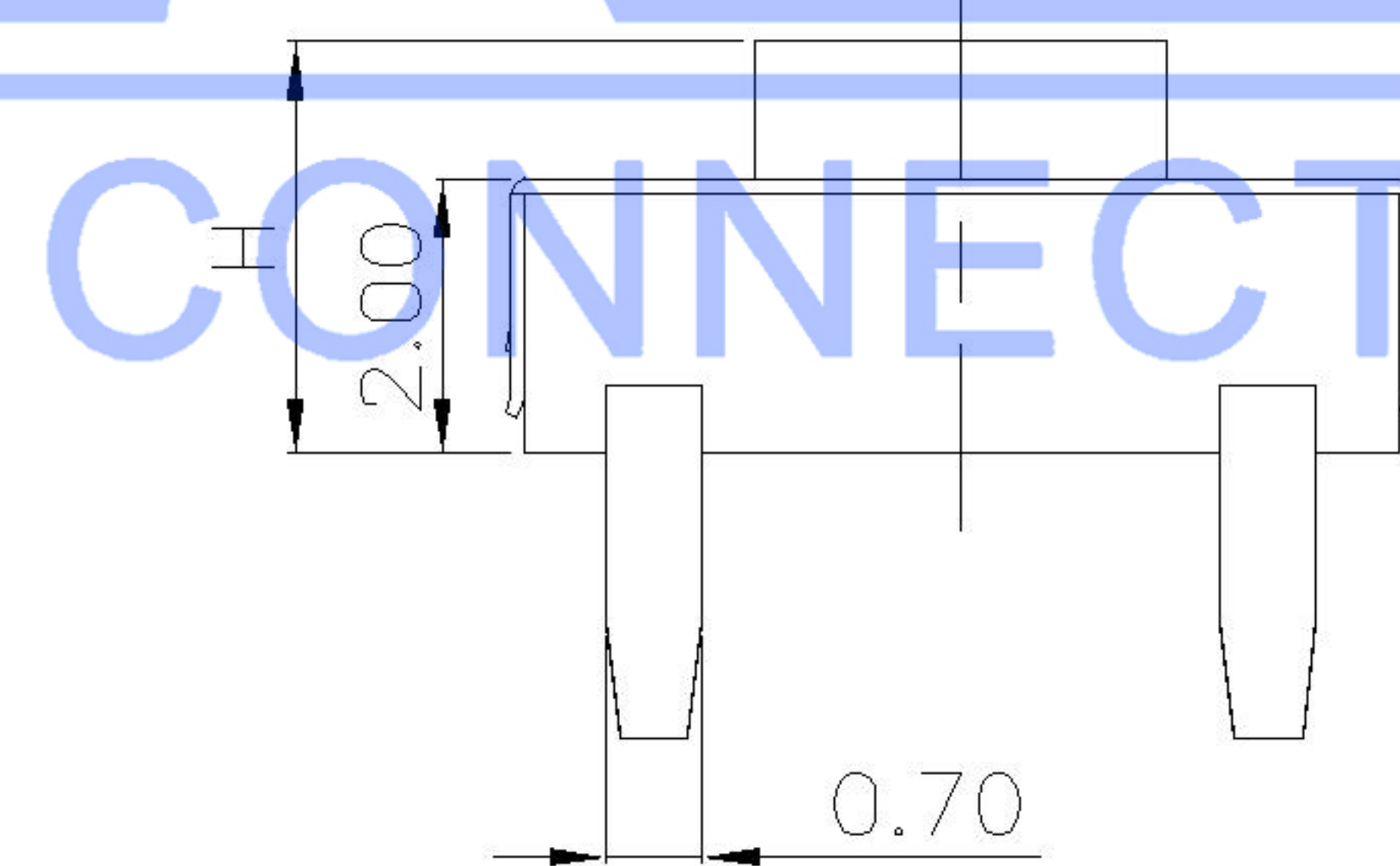
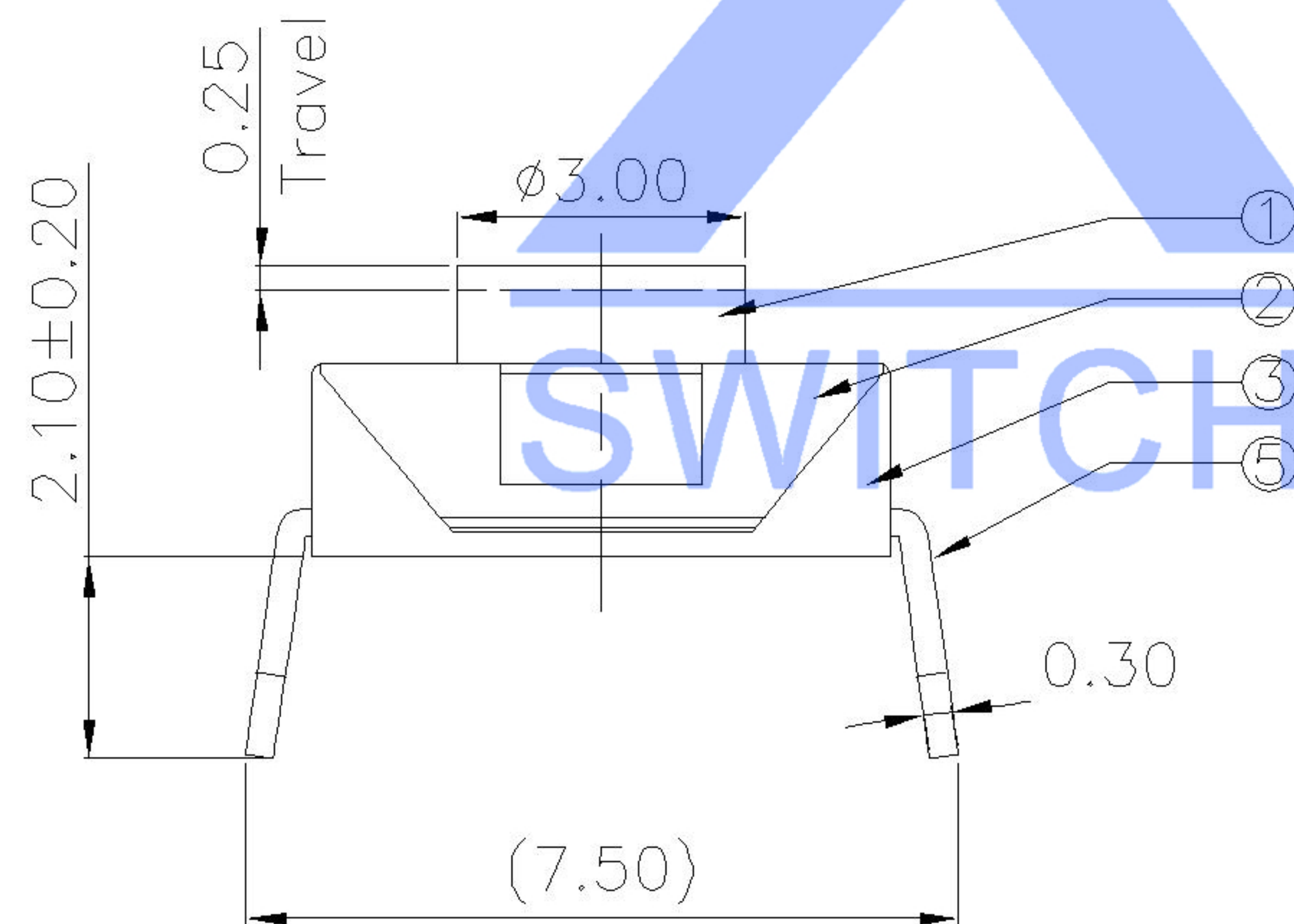


Circuit Diagram

PCB Layout(Pattern side)

Code-X	H
A	2.5
B	3.2
C	3.4
D	5.5



PAPT NO	TC-1157-X-X
Operating Force	A:100gf B:160gf C:260gf
Height	Code-X

					ANGLAR	±5°	DSND		DATE		SCALE: N/A	MODEL TYPE:	TACH SWITCH				
					L ≤ 4	±0.2	DWN		DATE		VIEW:	PART NO.:					
					4 < L ≤ 16	±0.3	CHKD		DATE		UNIT: mm	DWG NO.:	TC-1157-X-X				
					16 < L ≤ 63	±0.4	APPD		DATE		SIZE: A4						
					L > 63	±0.5						UNSPECIFIED TOLERANCES	WEIGHT	SHEET	REVISION		
										XKB INDUSTRIAL PRECISION CO.,LIMITED					1.0g	1/1	A0
Δx																	
Δx																	
Δx																	
MARK	DESCRIPTION	DATE	REVISED	APPROVED													
					REVISIONS												
					www.xk-dg.cn www.1k0k.com www.1k0k.cn												