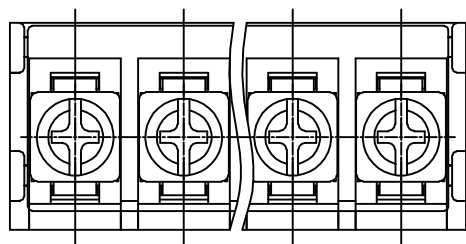


REVISION RECORD				
REV	ECN	DESCRIPTION	DRFT	DATE



NOTES1:

UL Standard

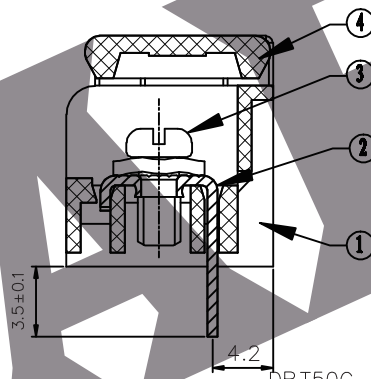
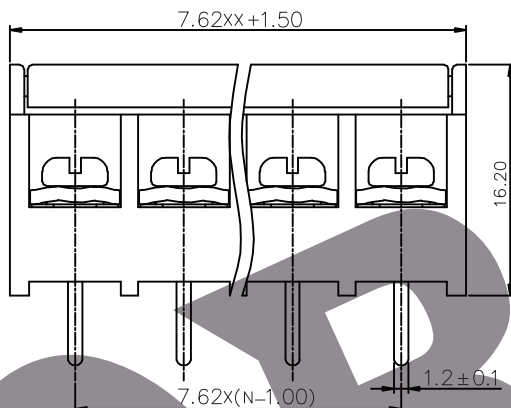
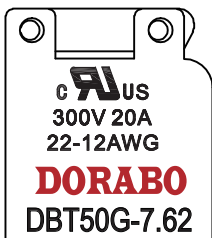
1. Rated voltage/current : 300V / 20A
2. Torque value : M3 , 4.43Lb.in
3. Wire range : 22~12AWG

NOTES2:

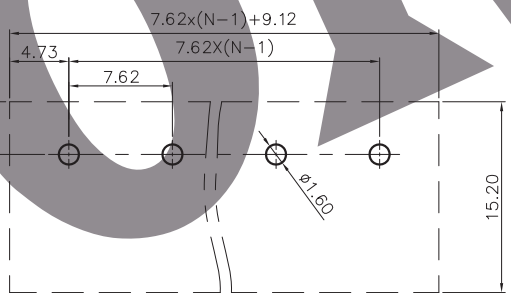
1. Dimension shall be interpreted per ASME Y14.5-2009
2. Pitch : 7.62mm, Poles : N=02~22P
3. Withstanding voltage : AC1600V/1Min
4. Operating temperature : -40°C~+105°C
5. Undimensioned tolerances:

Pitch Range In mm		Nominal Dimension Range In mm				0.1/10
TO	TO	TO	TO	TO	TO	
6	10	6	10	150	150	±2°
±0.15	±0.20	±0.30	±0.30	±0.50	±0.70	
±1.30	±1.00	±1.00	±1.00	±1.30	±1.30	±2°

6. RoHS Compliance



DBT50G-7.62-XXP-1Y-00A (H)
 (Series No.) (Poles) (Single Pitch) (Color): 1.(Grey) 2.(Blue) 3.(Black) 4.(Green) 5.(Orange) 6.(Red) 7.(Transparent) 8.(Yellow) 9.(White)
 (RoHS) 00A-(Standard)



PCB LAYOUT

DETACHED LISTS	PART NO.:	/			
	APPD:	/			
	CHKD:	/			
	DRFT:	/			
NAME:		DORABO 慈溪市地博电子有限公司 CIXI DORABO ELECTRONICS CO.,LTD			
TITLE:		CUSTOMER DRAWING			
DRAWING NO.:		/			
THIRD ANGLE PROJECTION		DO NOT SCALE DRAWING			
SHEET		1/1			
SCALE		1:1			

DORABO

慈溪市地博电子有限公司
CIXI DORABO ELECTRONICS CO.,LTD

DBT50G-7.62-XXP-1Y-00A(H)

CUSTOMER DRAWING

REV DO

DRAWING NO.:

SHEET 1/1

MM (INCH) DO NOT SCALE DRAWING

SCALE 1:1

