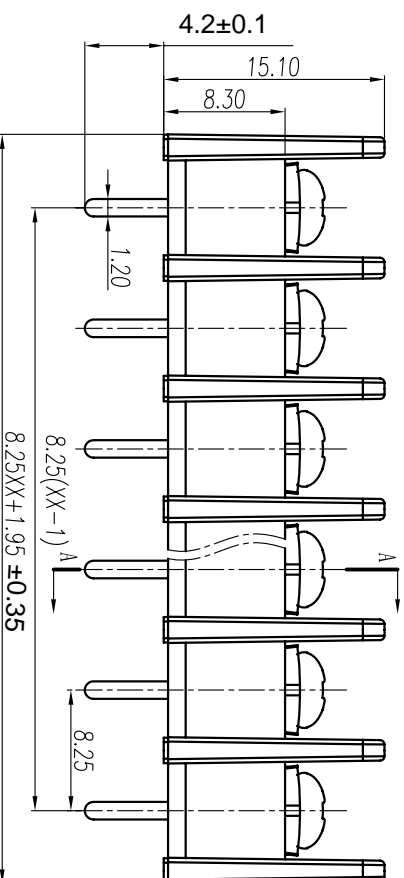
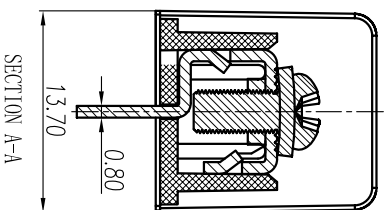
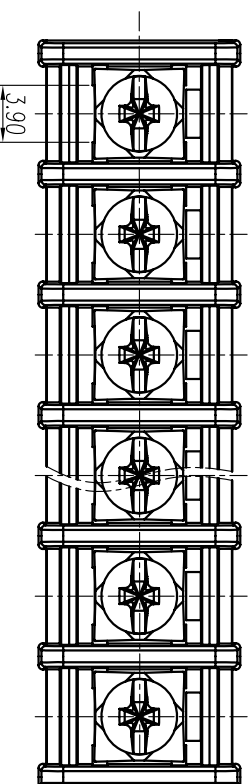
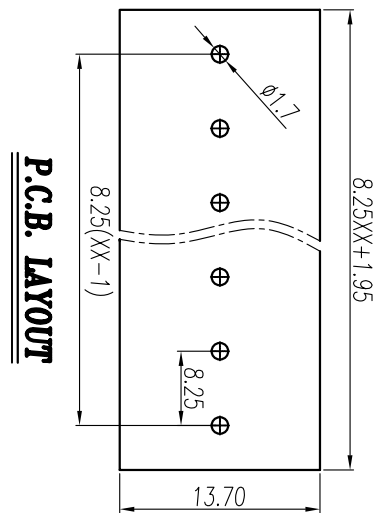




Cixi Dibo Electronics Co., LTD

产品规格书
product specification



电气性能/Electrical
 参考标准/Standard: UL IEC
 额定电压/Rated voltage: 300V 450V
 额定电流/Rated current: 15A 24A
 使用线径/Wire range: 22-14AWG 1.5mm²
 耐电压/Withstanding voltage: AC2000V/1Min
 绝缘电阻/Insulation resistance: 500MΩ/DC500V

机械性能/Mechanical

扭矩/Torque: 0.5Nm(4.5lb.in)
 温度范围/Temp.Range: -40°C~+105°C

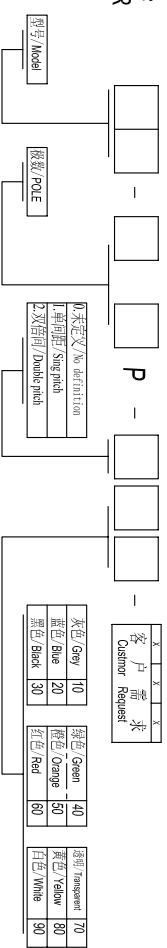
尺寸/Dimensions

间距/Pitch: 8.25mm
 极数/Poles: 2p-26p

材料及电镀/Material

塑件/Housing: PA66, UL94V-0
 螺丝/Screws: M3, steel, Ni Plated
 焊脚/Pin header: Brass, Tin plated

订购方式:
HOW TO ORDER



灰色/Grey	10	绿色/Green	40
蓝色/Blue	20	黄色/Yellow	50
黑色/Black	30	红色/Red	60
		透明/Transparent	70
		白色/White	80
			90

	linear dimension (Tolerances Standard GB/T 14486-2008)												≡	—	□	//	⊥
variable range	to 6	over 6 to 10	over 10 to 18	over 18 to 30	over 30 to 50	over 50 to 80	over 80 to 120	over 120 to 160	over 160 to 200	over 200 to 250	over 250 to 500	all	to 5	over 5 to 30	over 30 to 120	over 120 to 250	
tolerance	±0.1	±0.14	±0.19	±0.25	±0.32	±0.43	±0.57	±0.72	±0.88	±1.05	±1.25	0.5	0.025	0.06	0.12	0.4	

单位/UNITS	mm	尺寸/SIZE	A4	比例/SCALE	比例
Cixi Dibo Electronics Co., LTD					
名称/NAME	DB35C-8.25				
第一视角 / FIRST ANGLE PROJECTION					