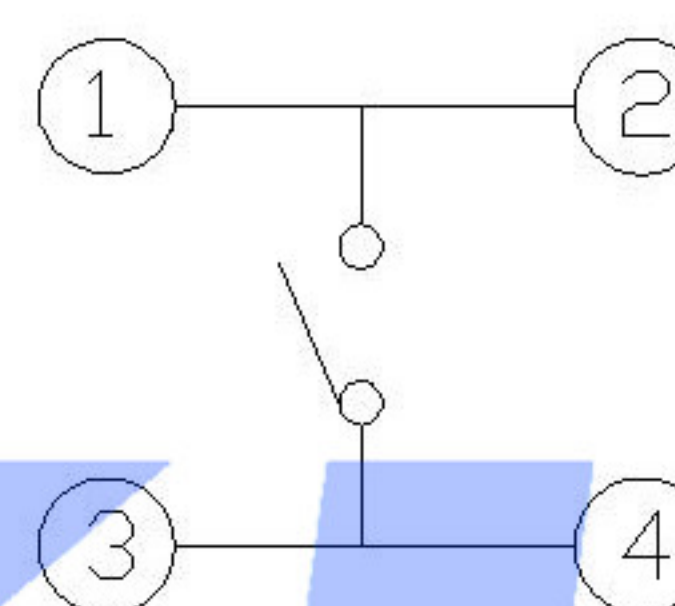
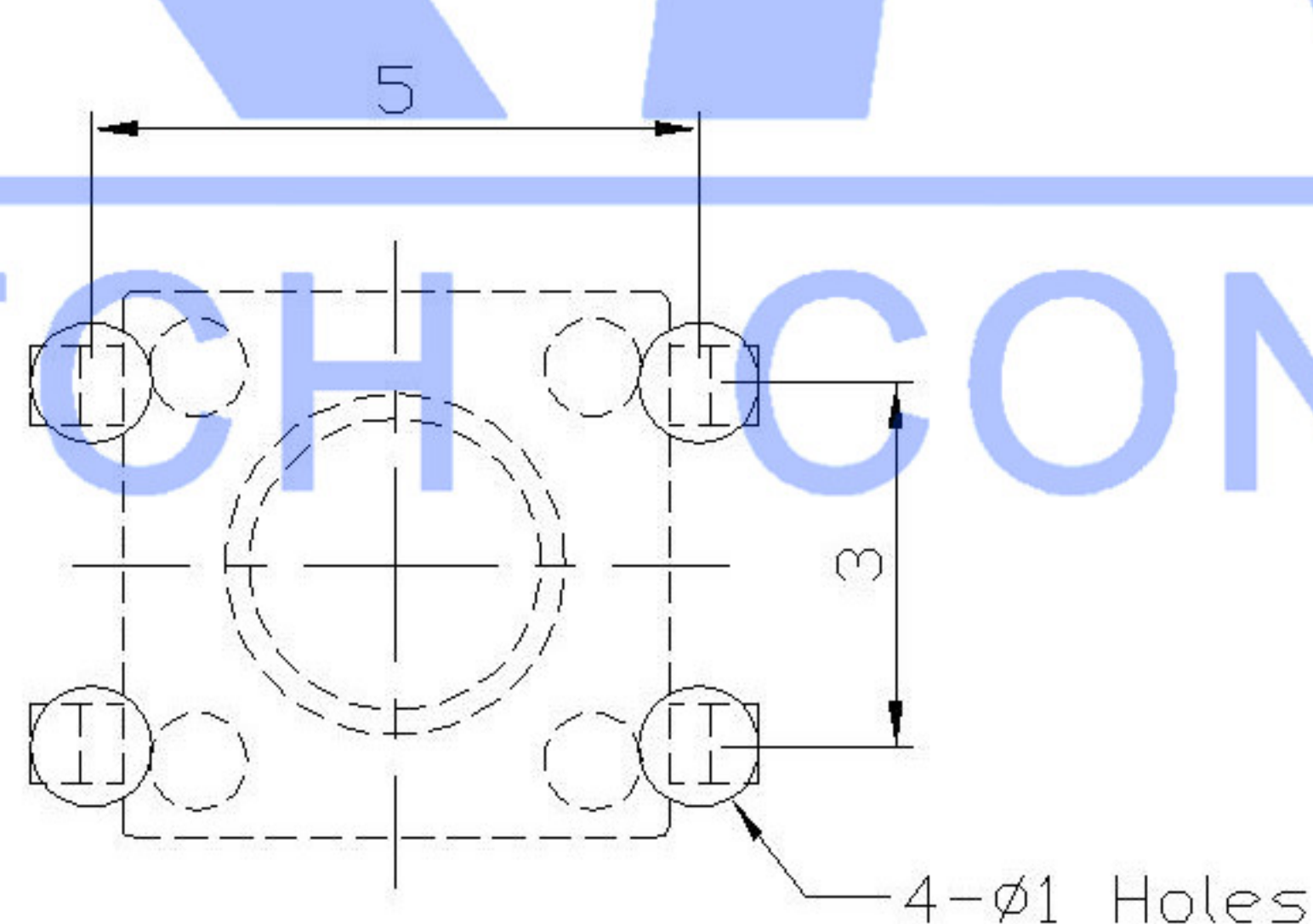
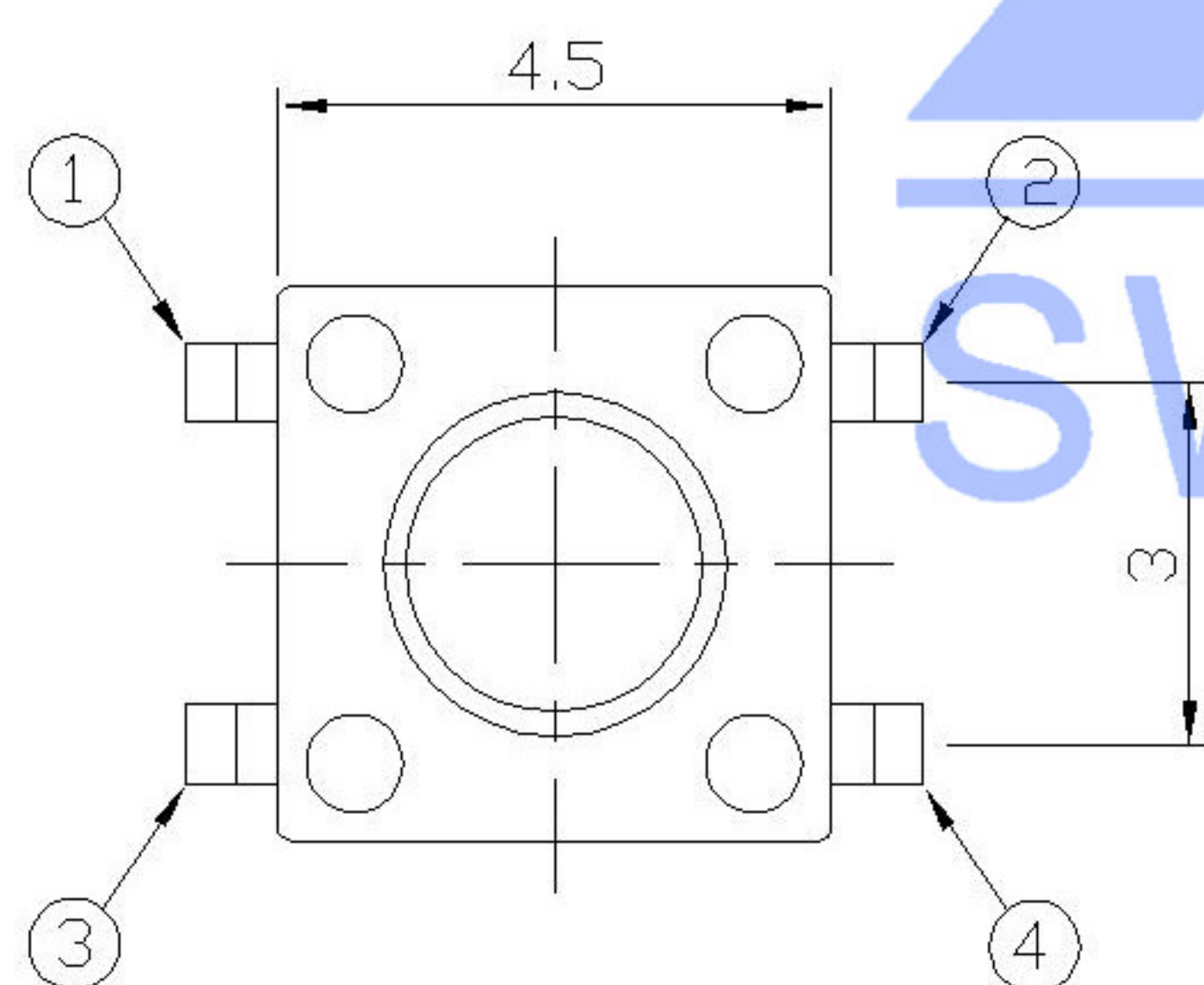


CIRCUIT DIAGRAM



Code-X	H
A	3.8
B	4.3
C	4.5
D	5.0
E	5.5
F	6.0
G	6.5
H	7.0
I	7.5
J	8.0
K	8.5
L	9.0

P.C.B MOUNTING PATTERN DIMENSION
The following soldering patterns are recommended for reflow soldering



SPECIFICATION

Contact Rating : 50mA, 12V DC
 Contact Resistance : 100mΩ max
 Insulation Resistance : 100mΩ min. 500V DC
 Dielectric Strength : 250V AC/1minute
 Travel : 0.25mm
 Operating Temp : -30°C ~ +85°C
 Storage Temp : -30°C ~ +80°C

PAPT NO	TC-1109-X-X
Operating Force	A: 100gf B: 160gf C: 260gf
Height	Code-X

ITEM	PAPT NAMF	TER.NO	QTY	MATERIAL	FINISHING	REMARK
⑤	Terminal	—	4	Brass (0.30t)	Plating silvering	—
④	Contact	—	1	F.ag/Sus	Natural	—
③	Base	—	1	Pa46	—	—
②	Cover	—	1	Spcc	Plating Nickel	—
①	Keystake	—	1	Pa46	—	—

MARK	DESCRIPTION	DATE	REVISED	APPROVED	units: mm	DSND	DATE	SCALE: N/A	MODEL TYPE:		
Δx					tolerance:	DWN	DATE	VIEW:	TACT SWITCH		
					X.X ±0.2mm	CHKD	DATE	UNIT: mm	PART NO.:		
					X.XX ±0.1mm	APPD	DATE	SIZE: A4	DWG NO.:		
					X.XXX ±0.05mm				TC-1109-X-X		
REVISIONS					UNSPECIFIED TOLERANCES	XKB INDUSTRIAL PRECISION CO., LIMITED			WEIGHT	SHEET	REVISION
www.xk-dg.cn www.helloxkb.com www.helloxkb.cn									1.0g	1/1	A0