

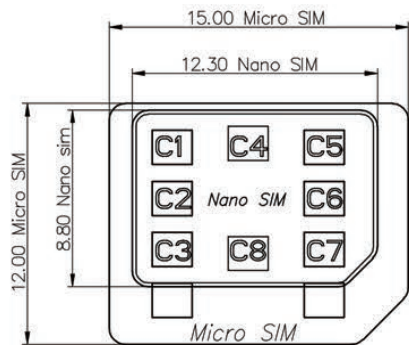
SIM pin assignment	
PIN#	Name
C1	VCC 供电电压
C2	RST 重置
C3	CLK 时钟
C5	GND 接地
C6	VPP 程序电压
C7	I/O 输入输出

Specification

MATERIAL:
 Insulator: High Temperature Thermoplastic, UL 94Y-0.
 Contact: C5210
 SHELL: SUS

PLATING:
 Contact: Plated 50u" Ni Overall Contact ALL Au 1U,
 Shell: Plated 50u" Ni Overall, PAD Au 1U

Electrical:
 Current Rating :0.5mA AC/DC max.
 Voltage Rating :125V AC/DC
 Ambient Temperature Range :-20° C~+60° C
 Storage Temperature Range :-40° C~+70° C
 Ambient Humidity Range :90% R.H. Max.
 Contact Resistance:100m max. Ω
 Insulation Resistance:1000M min./600VDC
 Mating Cycles:10,000 Insertions
 产品耐插拔: 200° C ±0.5℃/1000次
 Mating Cycles:3,000 Insertions Min



DSND	DATE	SCALE: N/A	MODEL TYPE: SIM CARD CONN		
DWN	DATE	VIEW:	PART NO.:		
CHKD	DATE	UNIT: mm	DWG NO.: XKSIM-304		
APPD	DATE	SIZE: A4	WEIGHT SHEET REVISION 1.0g 1/1 A0		
UNSPECIFIED TOLERANCES		XKB INDUSTRIAL PRECISION CO., LIMITED			
ANGLAR	±5°				
L ≤ 4	±0.2				
4 < L ≤ 16	±0.3				
16 < L ≤ 63	±0.4				
L > 63	±0.5				
ΔX					
ΔX					
ΔX					
MARK	DESCRIPTION	DATE	REVISED	APPROVED	
REVISIONS					
www.xk-dg.cn www.helloxkb.com www.helloxkb.cn					