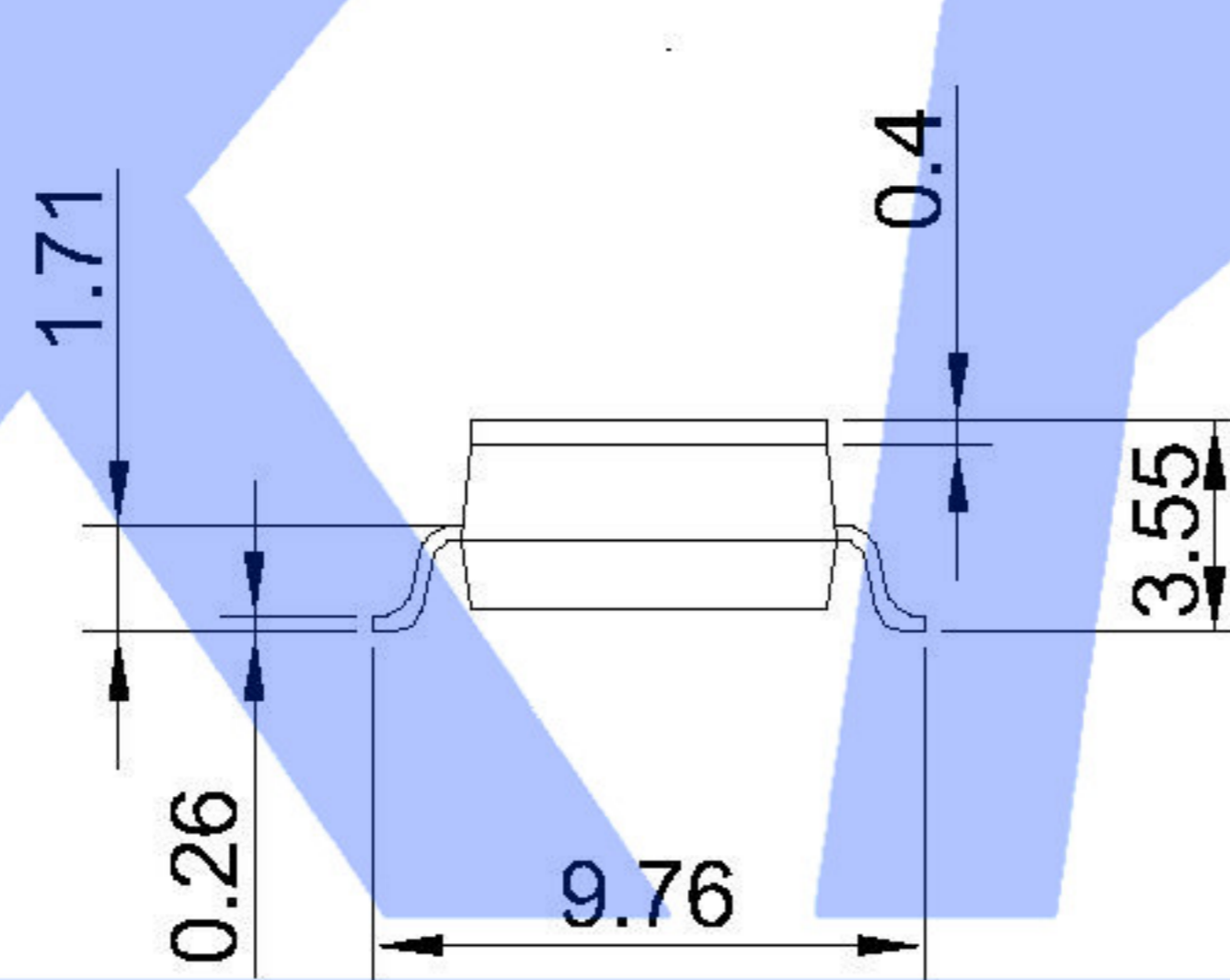
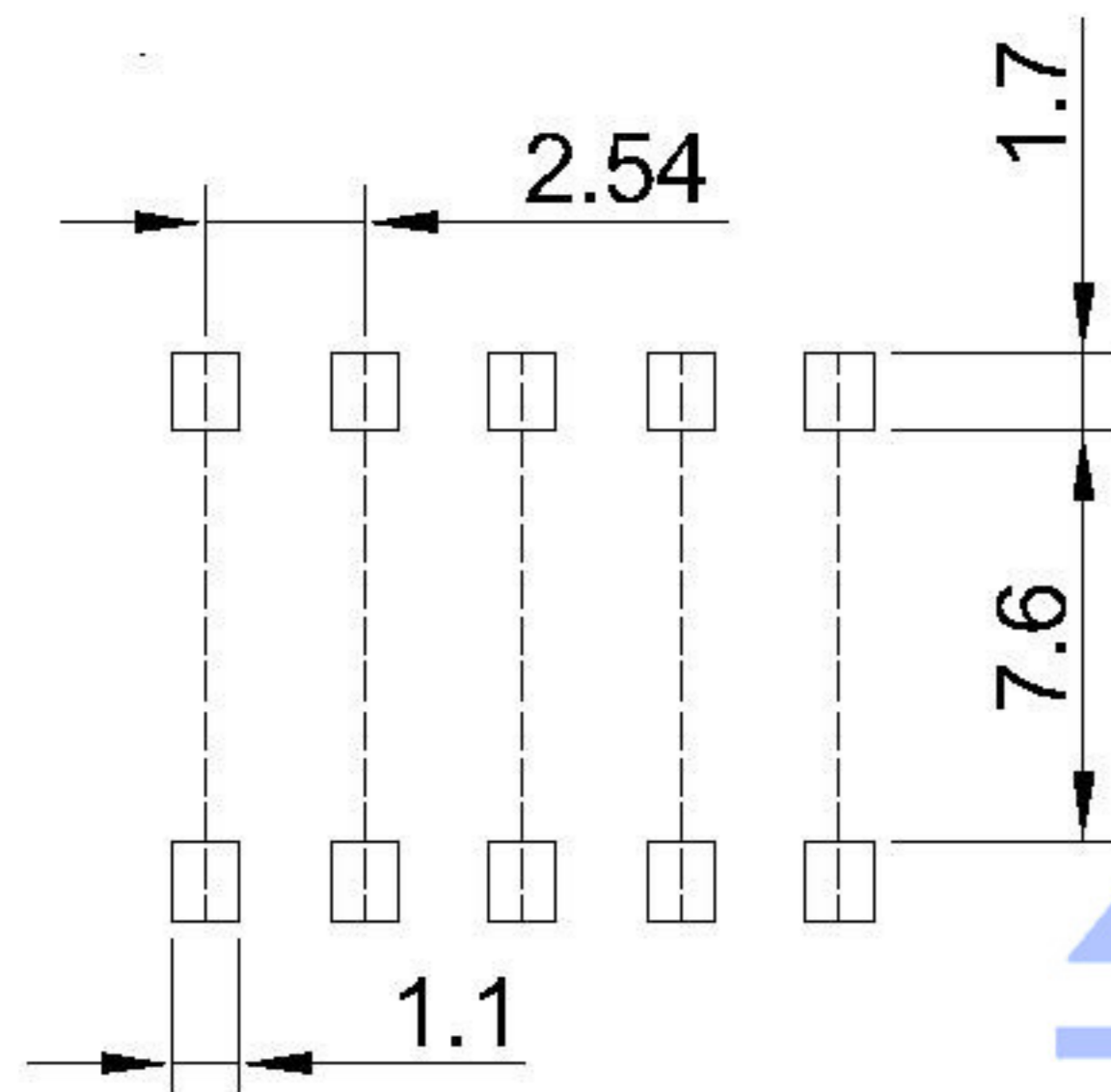


Projection (P)



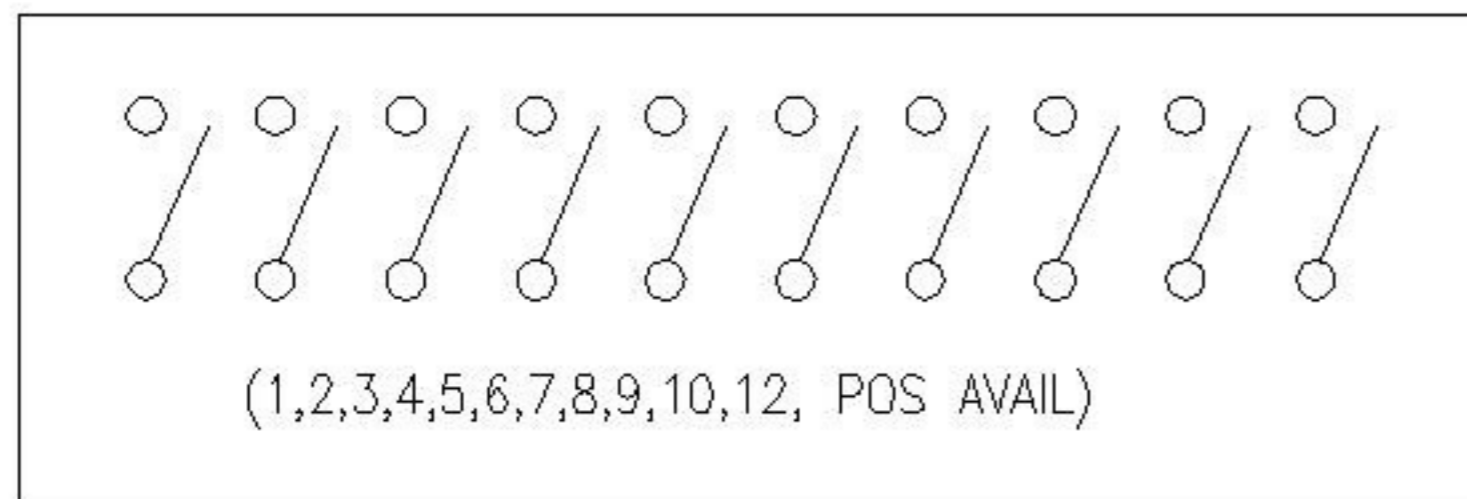
Short (S)

SWITCH CONNECTOR

PART NO.	NO.OF POS.	DIM.A	DIM.B	Projection (P)	Short (S)
DSIC01LS	1	2.54		DSIC01LS-P	DSIC01LS-S
DSIC02LS	2	5.08	2.54	DSIC02LS-P	DSIC02LS-S
DSIC03LS	3	7.62	5.08	DSIC03LS-P	DSIC03LS-S
DSIC04LS	4	10.16	7.62	DSIC04LS-P	DSIC04LS-S
DSIC05LS	5	12.7	10.16	DSIC05LS-P	DSIC05LS-S
DSIC06LS	6	15.24	12.70	DSIC06LS-P	DSIC06LS-S
DSIC07LS	7	17.78	15.24	DSIC07LS-P	DSIC07LS-S
DSIC08LS	8	20.32	17.78	DSIC08LS-P	DSIC08LS-S
DSIC09LS	9	22.86	20.32	DSIC09LS-P	DSIC09LS-S
DSIC10LS	10	25.4	22.86	DSIC10LS-P	DSIC10LS-S
DSIC12LS	12	30.48	27.94	DSIC12LS-P	DSIC12LS-S

SPECIFICATION

Contact Rating :	25mA,24V DC
Contact Resistance :	50mΩ max
Insulation Resistance :	100mΩ min.500V DC
Dielectric Strength :	500V AC/1minute
Operating Force :	1,000gf max
Travel :	1.0mm
Operating Life :	3000cycles
Operating Temp :	-20 °C~+70 °C
Storage Temp :	-30 °C~+80 °C



④	Terminal		Copper Alloy	T: Tin plated G:Plating Gold
③	Base	1	Pa9t	White
②	Keystake	1	Pa66	White
①	Cover	1	Pa66	Black
ITEM	PAPT NAMF	QTY	MATERIAL	FINISHING

MARK	DESCRIPTION	DATE	REVISED	APPROVED	ANGLAR	±5°	DSND	DATE	SCALE: N/A	MODEL TYPE:		
△X					X.X	±0.2mm	DWN	DATE	VIEW:	DIP SWITCH		
△X					X.XX	±0.1mm	CHKD	DATE	UNIT: mm	PART NO.:		
△X					X.XXX	±0.05mm	APPD	DATE	SIZE: A4	DWG NO.:		
							UNSPECIFIED TOLERANCES			DSICXXLS-X		
REVISIONS							XKB INDUSTRIAL PRECISION CO.,LIMITED			WEIGHT	SHEET	REVISION
www.xk-dg.cn www.helloxkb.com www.helloxkb.cn										1.0g	1/1	A0