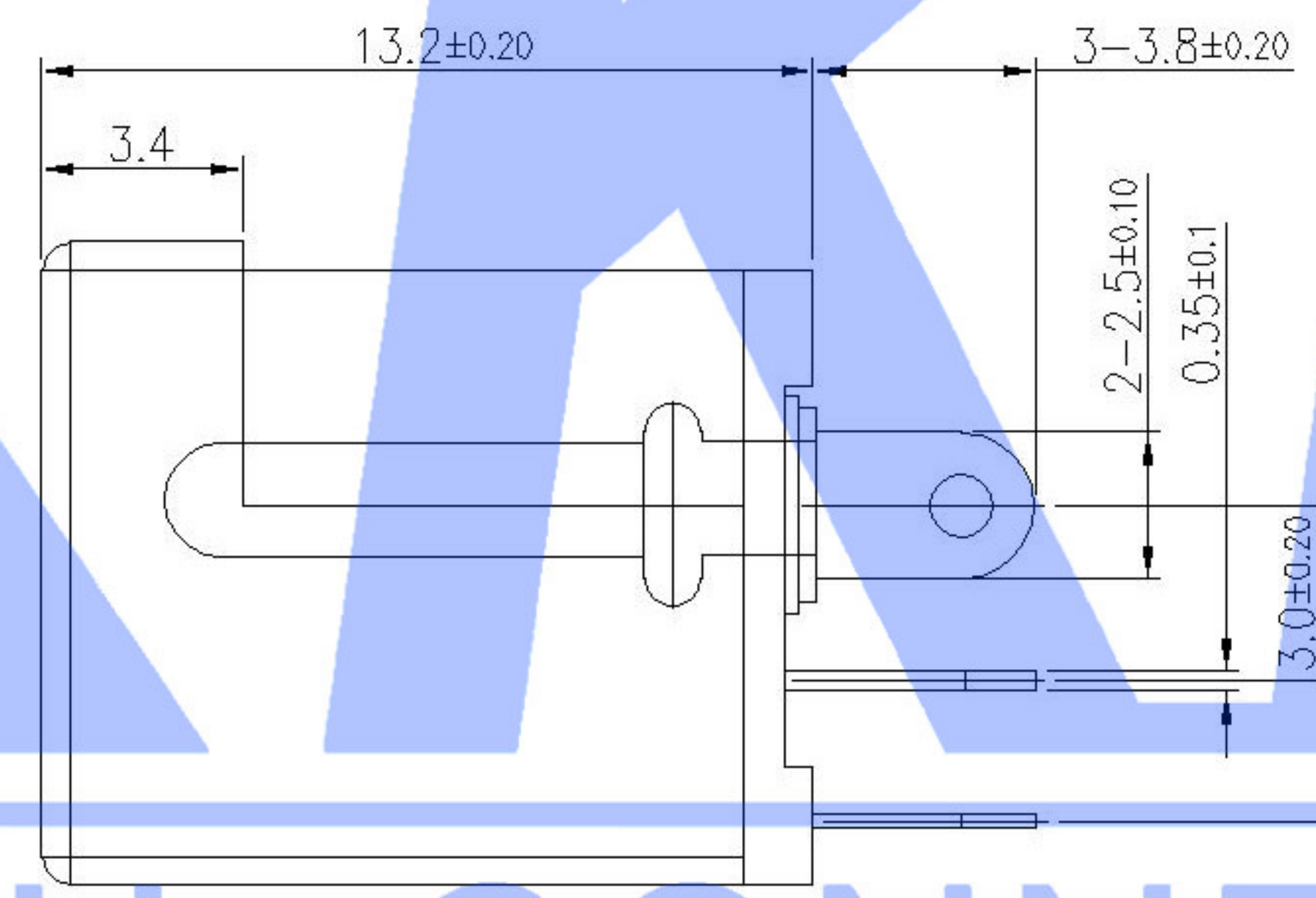
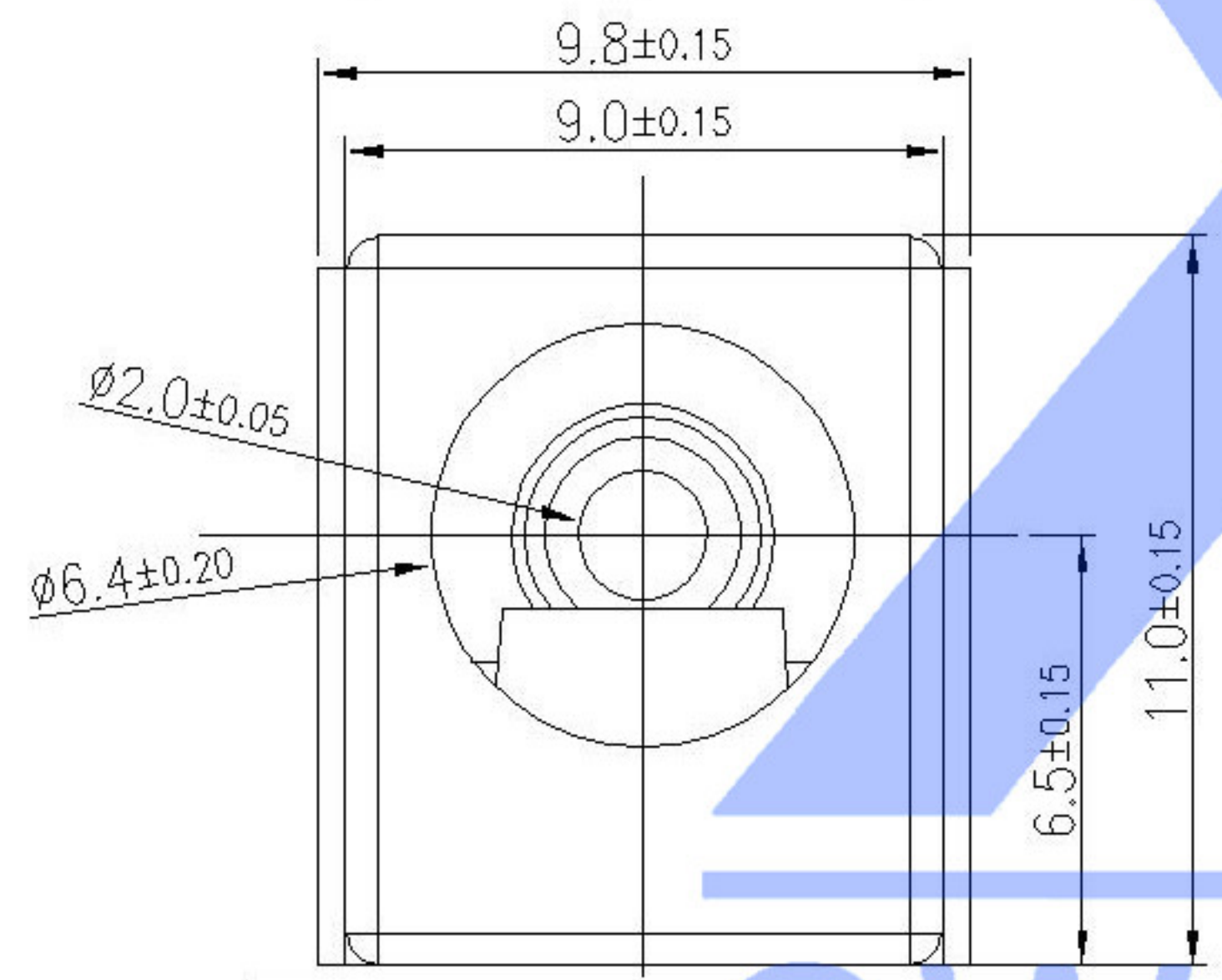
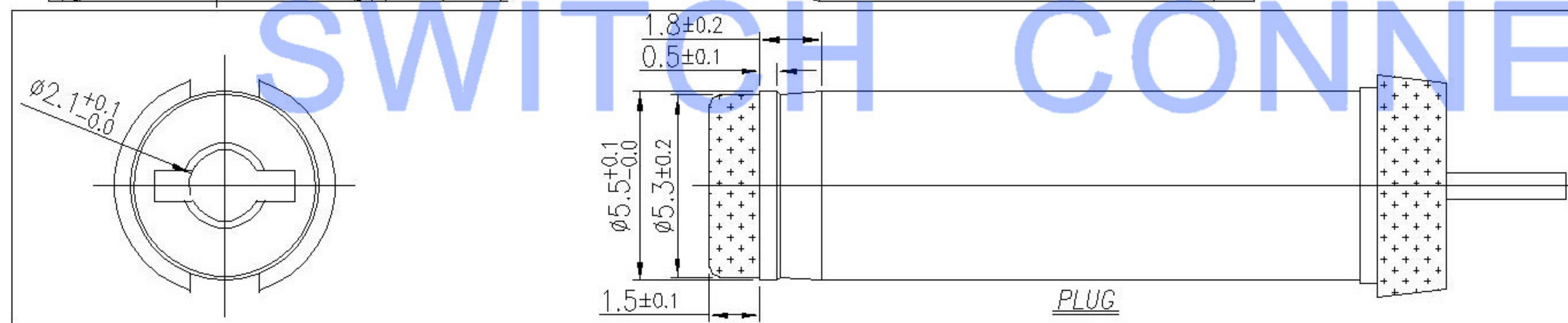


PCB LAYOUT TOP VIEW
TOLERANCES: ±0.05



SPECIFICATIONS:

1. ELECTRICAL CHARACTERISTICS:
 - 1-1. RATING: 20V, 1A Min.
 - 1-2. CONTACT RESISTANCE: 50 MILLIOHMS Max. FOR INITIAL, 80 MILLIOHMS Max. AFTER 5000 CYCLES.
 - 1-3. INSULATION RESISTANCE: 100 MEGAOHMS Min. BY 500V DC AFTER 1 MINUTE.
 - 1-4. DIELECTRIC WITHSTANDING VOLTAGE: 500V RMS AFTER 1 MINUTE.
2. MECHANICAL CHARACTERISTICS:
 - 2-1. INSERTION FORCE : 0.3~3.0 KGF(2.94~29.4N)
 - 2-2. WITHDRAWAL FORCE : 0.3~3.0 KGF(2.94~29.4N)
 - 3. LIFE TEST: 5,000 CYCLES MIN.



SCHEMATIC	
Model	DC-012A-5A
Center Pin	Ø2.0 mm

					ANGLAR	±5°	DSND		DATE		SCALE: N/A	MODEL TYPE: DC POWER JACK	
△X					L ≤ 4	±0.2	DWN		DATE		VIEW:	PART NO.:	
△X					4 < L ≤ 16	±0.3	CHKD		DATE		UNIT: mm	DWG NO.:	
△X					16 < L ≤ 63	±0.4	APPD		DATE		SIZE: A4	DC-012A-5A-2.0	
MARK	DESCRIPTION	DATE	REVISED	APPROVED	L > 63	±0.5	UNSPECIFIED TOLERANCES				WEIGHT	SHEET	REVISION
REVISIONS					XKB INDUSTRIAL PRECISION CO., LIMITED				1.0g	1/1	A0		
www.xk-dg.cn www.helloxkb.com www.helloxkb.cn													