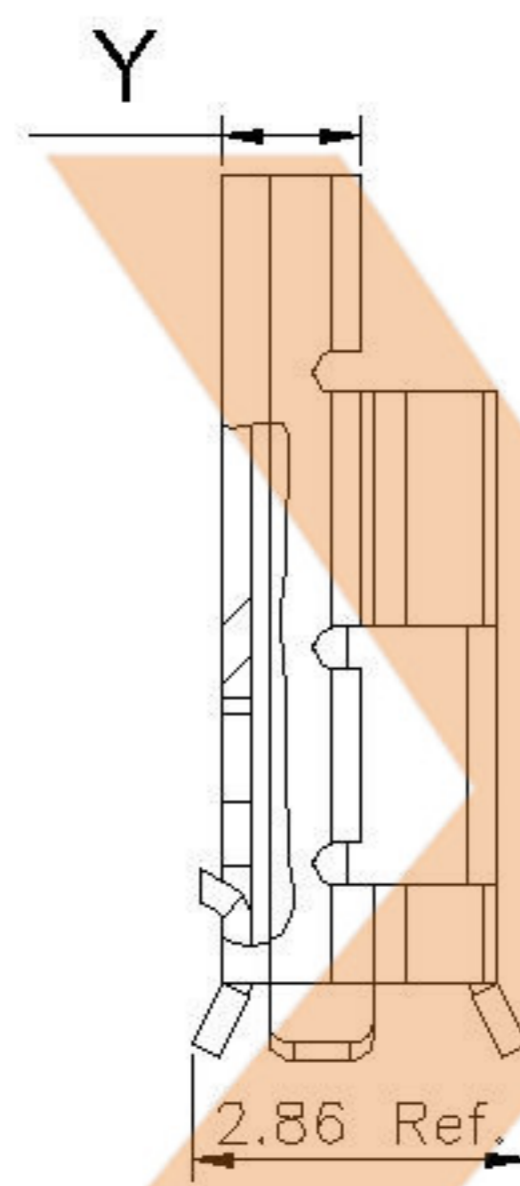
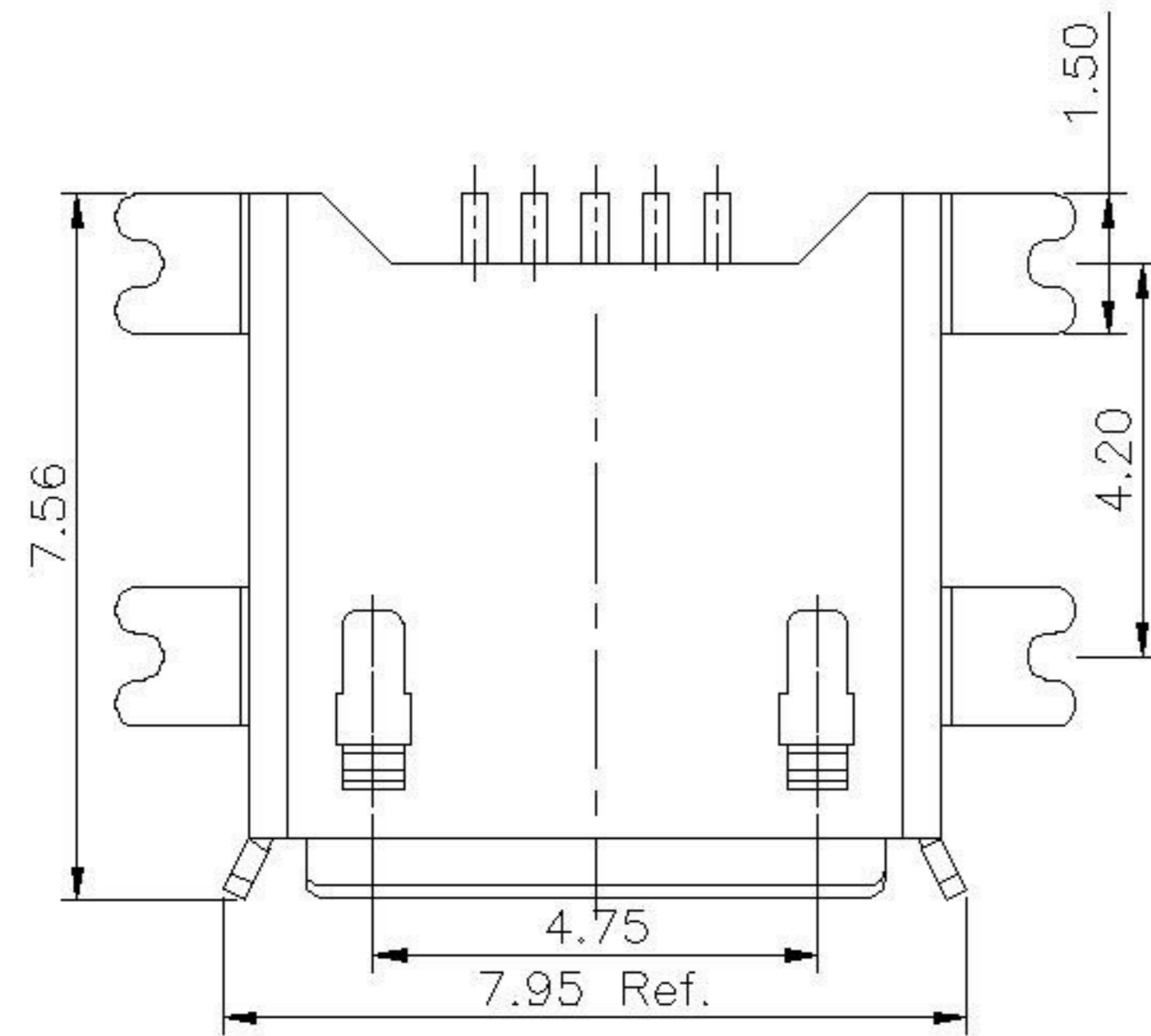


Flat (F)



X	1	2	3
H	1.2	1.17	0.7
Y	1.15	1.18	1.65

**Material**  
Housing Material: LCP, UL94V-0, black  
Contact Terminal: Copper Alloy  
Metallic Shell: Brass

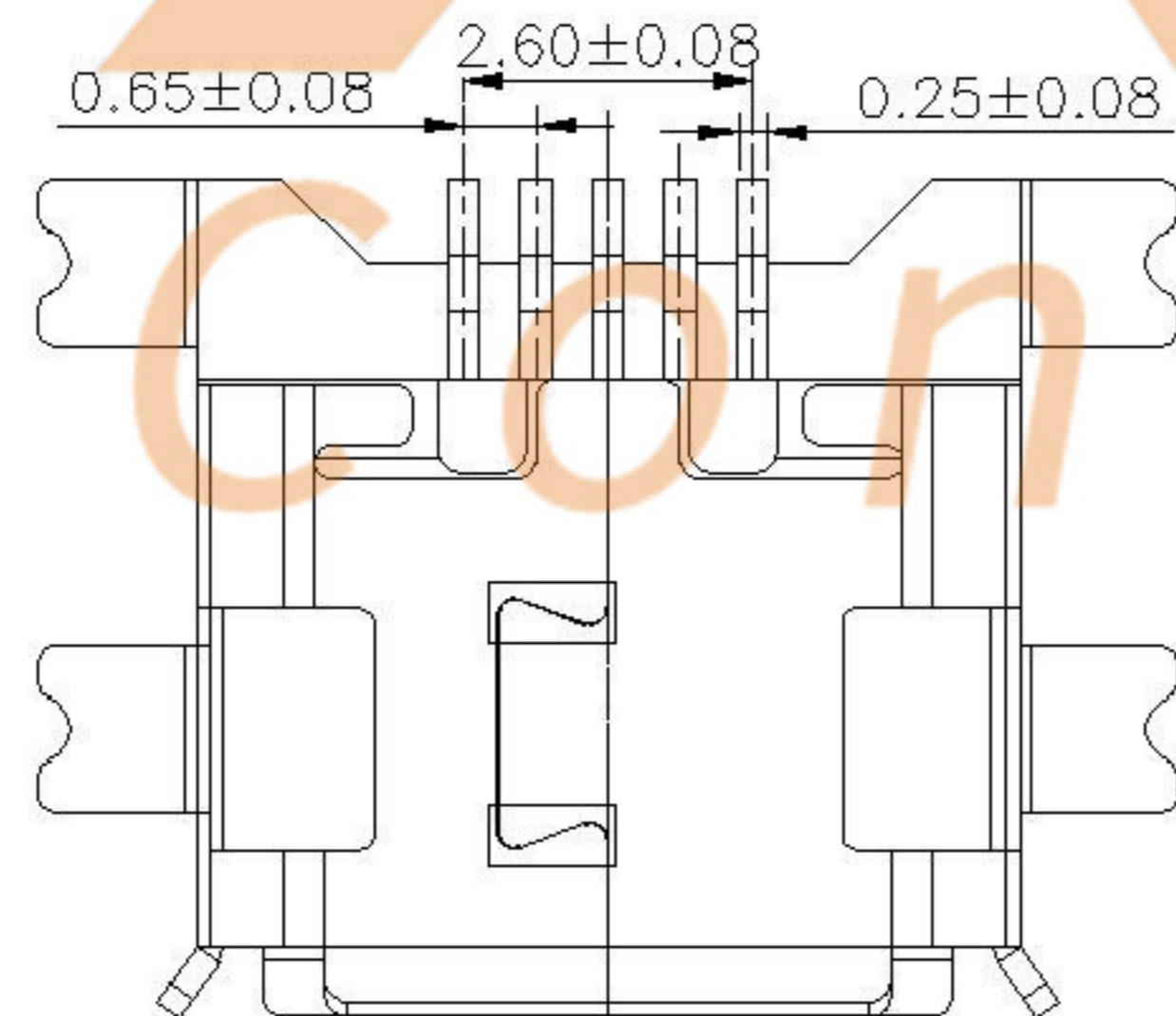
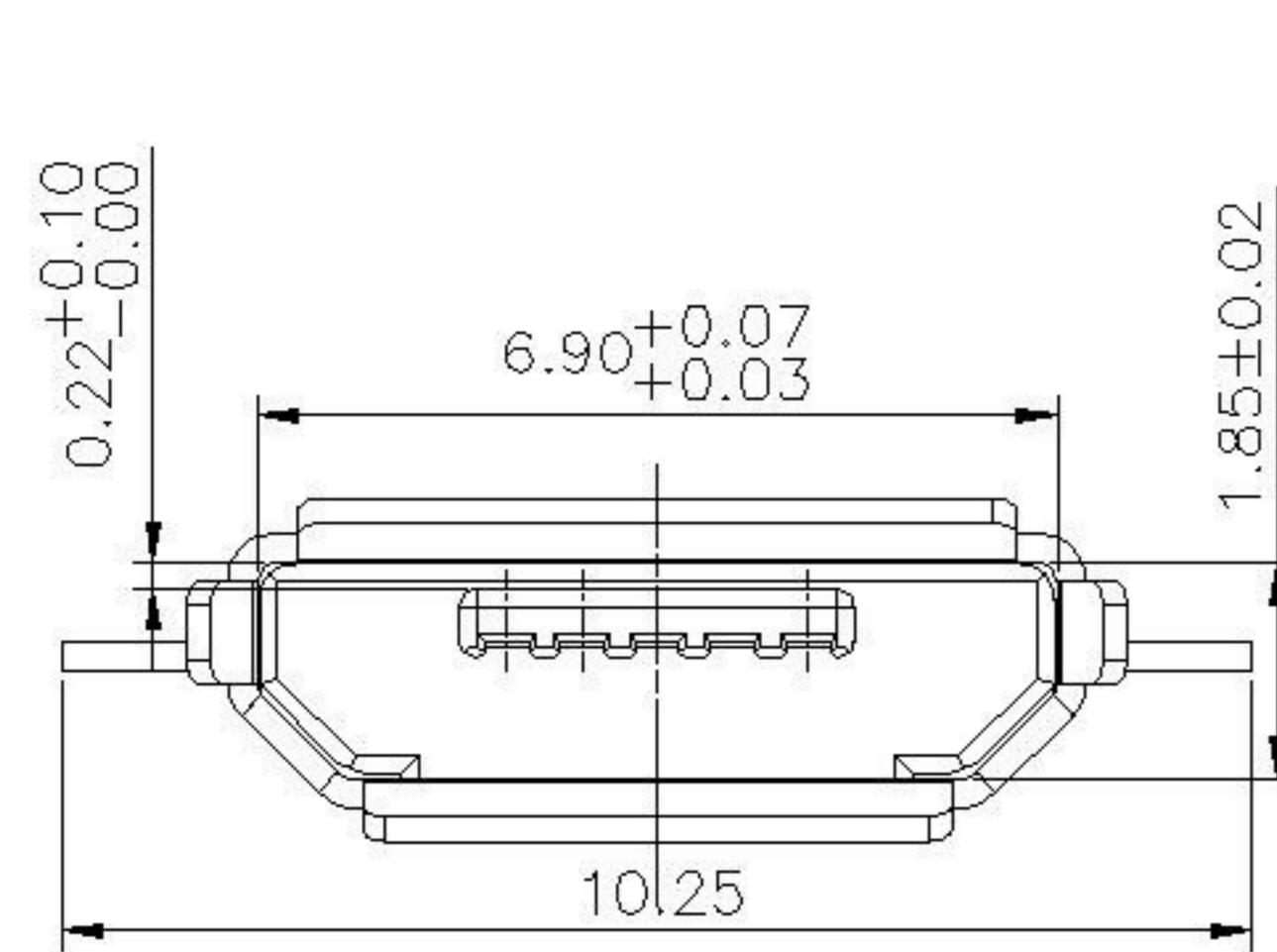
**Electrical**  
Voltage Rating: 30 V AC  
Current Rating: Signal (Pins 2,3,4): 1.0A, Power (Pins 1,5): 1.8A  
Contact Resistance: 30mΩ Max  
Insulation resistance: 1000MΩ Min  
Dielectric withstanding voltage: 250V AC/Minute

**Mechanical**  
Durability: 3,000 cycles  
Mating Force: 35N (3.57Kgf) Max  
Unmating Force: 8N (0.82Kgf) Min.

U253-05XX-4BH87-XX

1: Au 1U"  
6: Au 30U"  
T: TIN  
N: NICKEL

1: H1.2 2: H1.17 3: H0.7  
S: Scrolls F: Flat



Scrolls (S)

DSND		DATE		SCALE: N/A	MODEL TYPE: MICRO USB																				
DWN		DATE		VIEW:	PART NO.: U253-05XX-4BH87																				
CHKD		DATE		UNIT: mm	DWG NO.: U253-05XX-4BH87-XX																				
APPD		DATE		SIZE: A4	WEIGHT 1.0g SHEET 1/1 REVISION A0																				
<table border="1"> <tr> <th>MARK</th> <th>DESCRIPTION</th> <th>DATE</th> <th>REVISED</th> <th>APPROVED</th> </tr> <tr> <td>ΔX</td> <td></td> <td></td> <td></td> <td></td> </tr> <tr> <td>ΔX</td> <td></td> <td></td> <td></td> <td></td> </tr> <tr> <td>ΔX</td> <td></td> <td></td> <td></td> <td></td> </tr> </table>					MARK	DESCRIPTION	DATE	REVISED	APPROVED	ΔX					ΔX					ΔX					
MARK	DESCRIPTION	DATE	REVISED	APPROVED																					
ΔX																									
ΔX																									
ΔX																									
<table border="1"> <tr> <th>REVISIONS</th> <th>UNSPECIFIED TOLERANCES</th> </tr> <tr> <td></td> <td></td> </tr> </table>					REVISIONS	UNSPECIFIED TOLERANCES																			
REVISIONS	UNSPECIFIED TOLERANCES																								
www.xk-dg.cn www.1k0k.com www.1k0k.cn																									
KKB INDUSTRIAL PRECISION CO., LIMITED																									