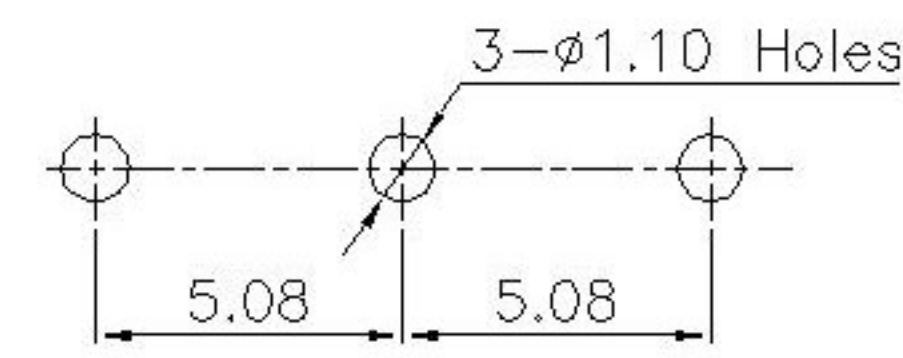
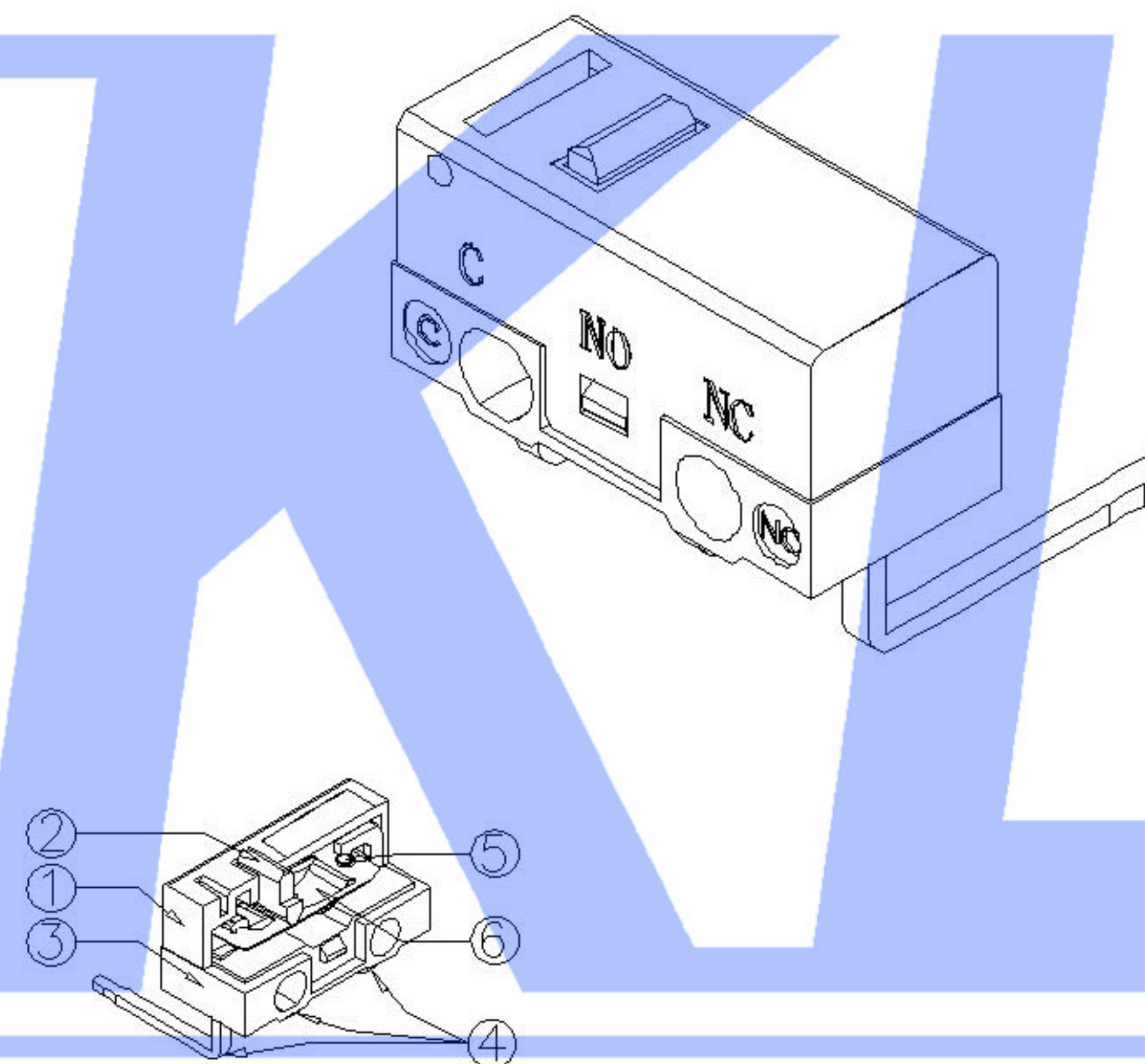
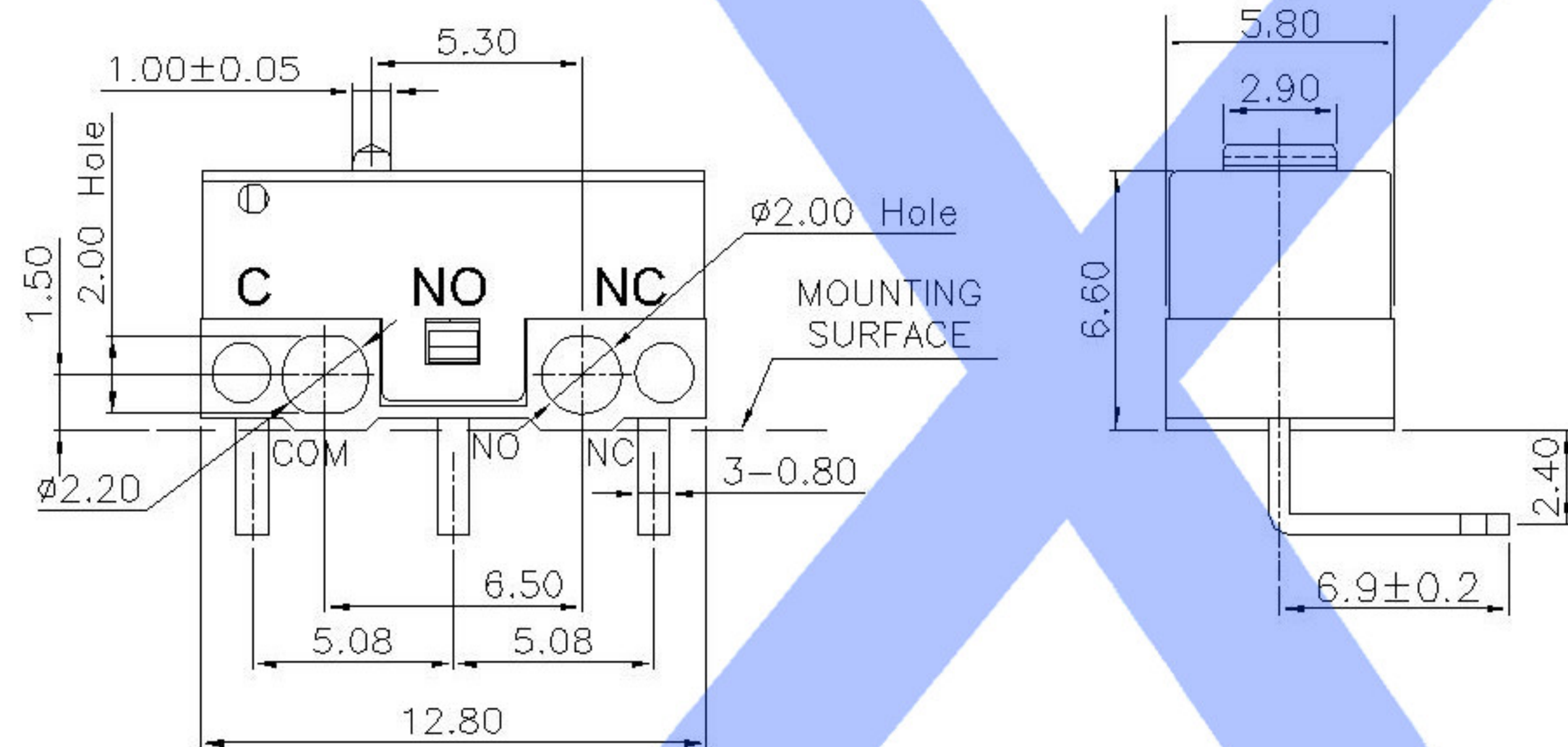


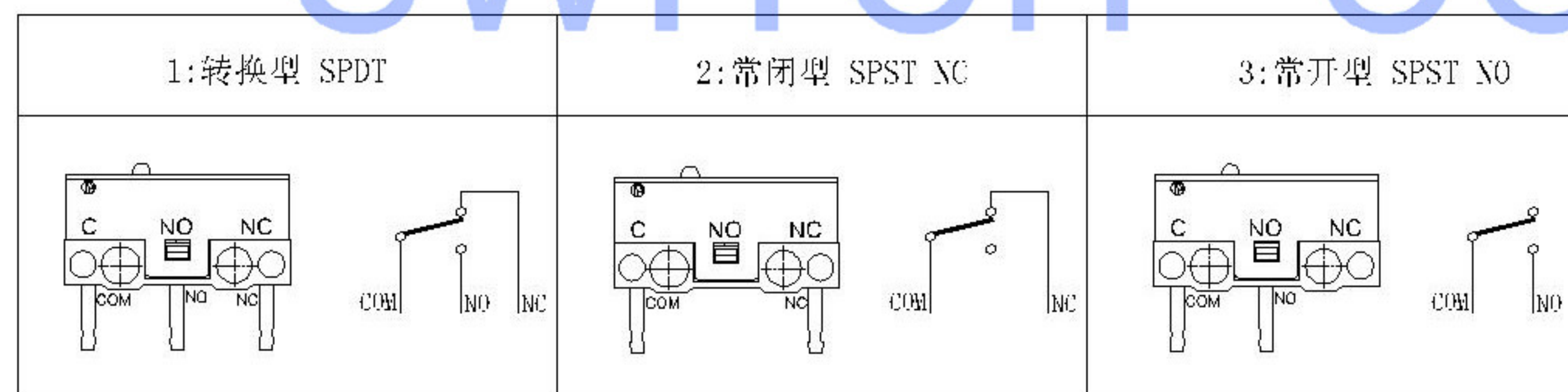
Circuit Diagram



P.C.B layout

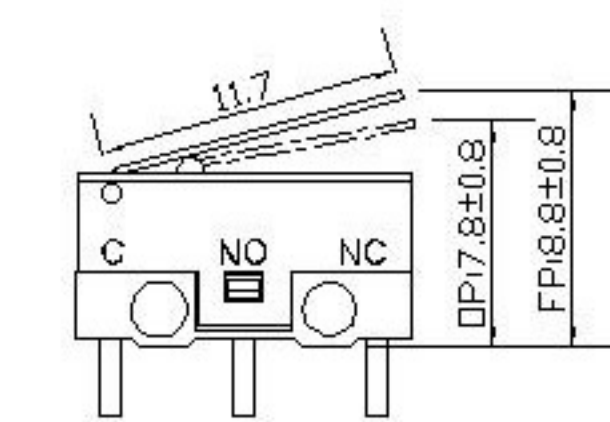


# SWITCH CONNECTOR

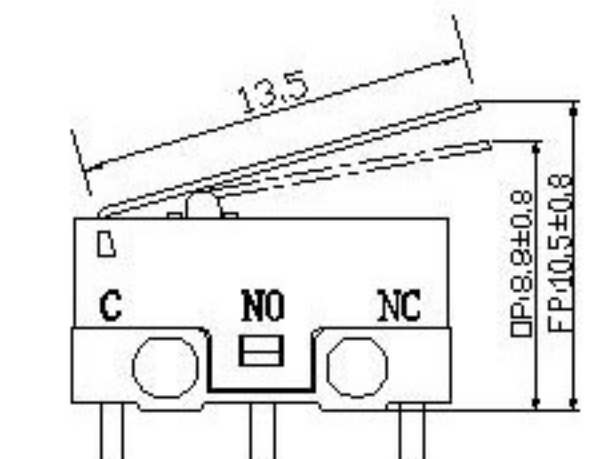


DMX-XXXXC-X

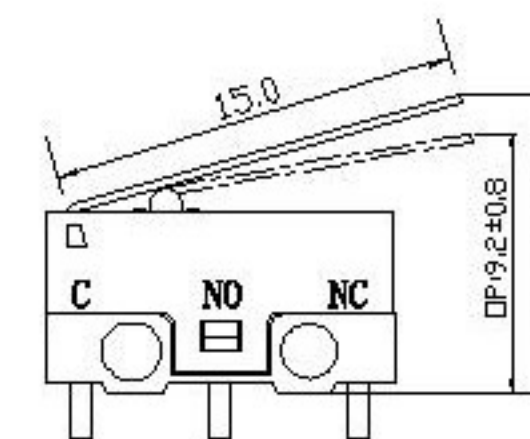
1:1A以下  
3:3A



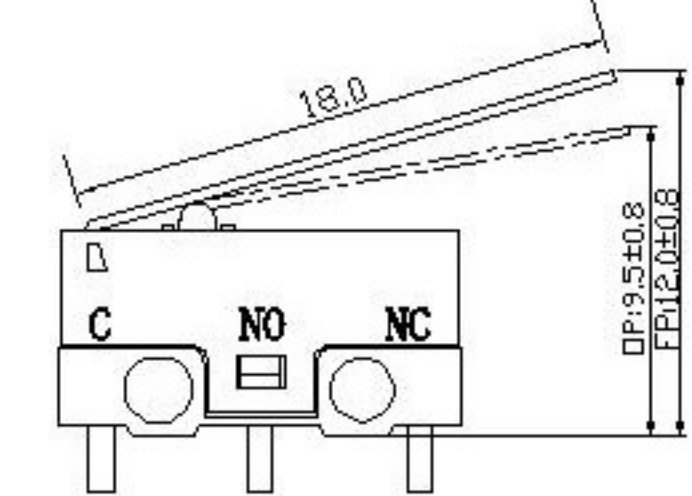
117



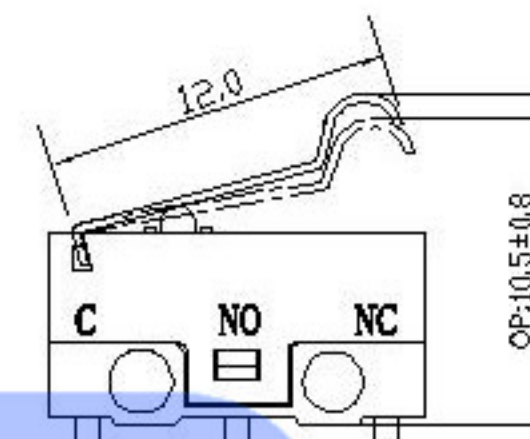
135



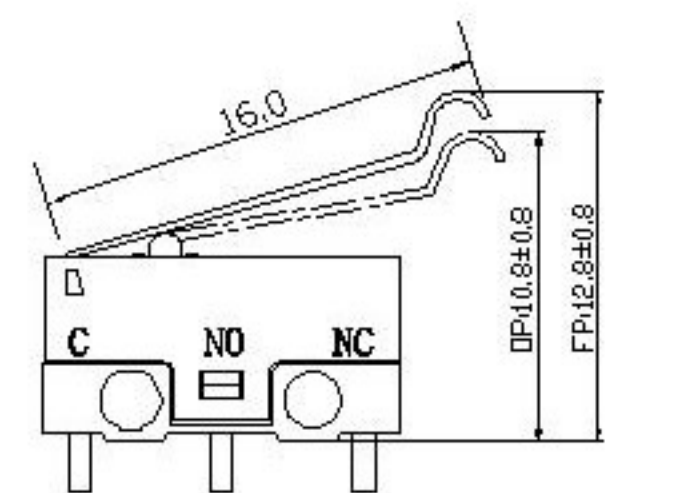
150



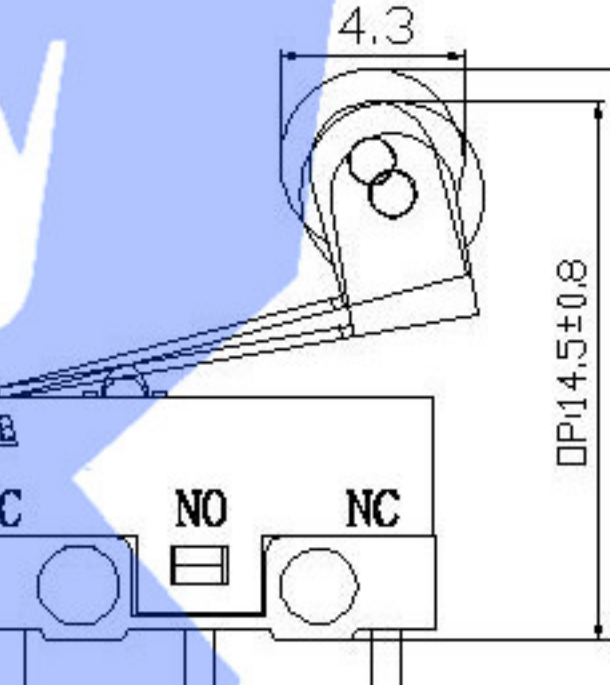
180



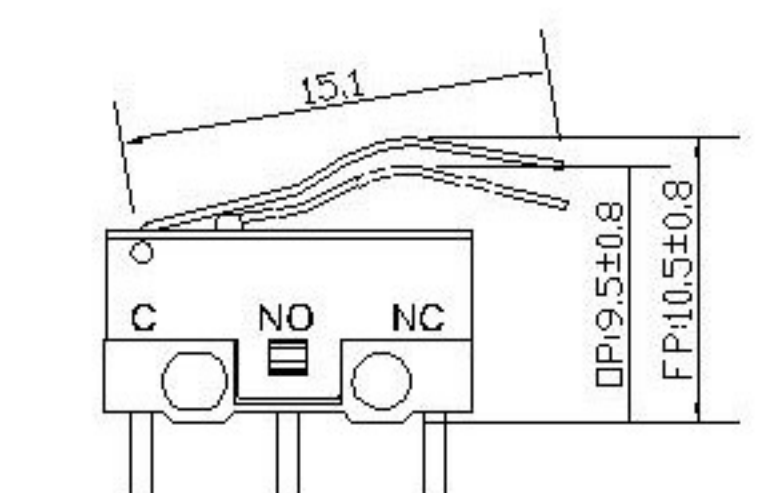
12U



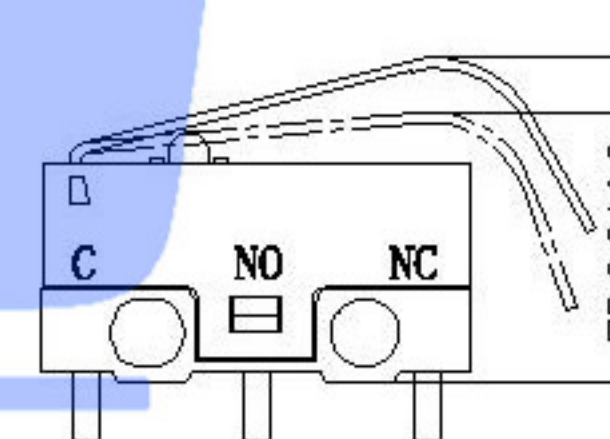
16U



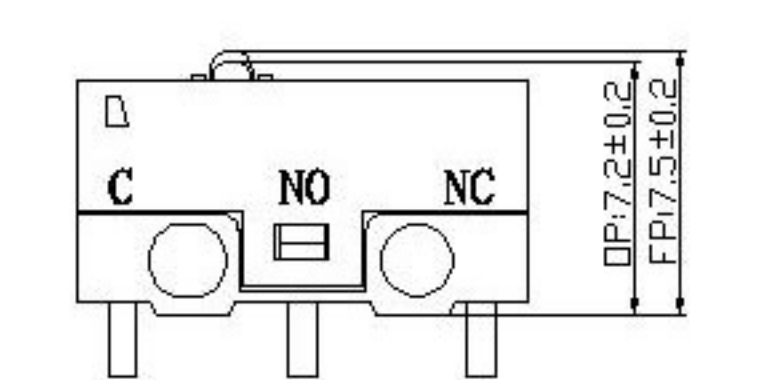
115G



151U



141U



000

DSND		DATE		SCALE: N/A	MODEL TYPE: MICRO SWITCH		
DWN		DATE		VIEW:	PART NO.:		
CHKD		DATE		UNIT: mm	DWG NO.:		
APPD		DATE		SIZE: A4	<b>DMX-XXXXC-X</b>		
UNSPECIFIED TOLERANCES				XKB INDUSTRIAL PRECISION CO.,LIMITED	WEIGHT	SHEET	REVISION
△X					1.0g	1/1	A0
△X							
△X							
MARK	DESCRIPTION	DATE	REVISED	APPROVED			
REVISIONS							
www.xk-dg.cn www.helloxkb.com www.helloxkb.cn							