



Specification:

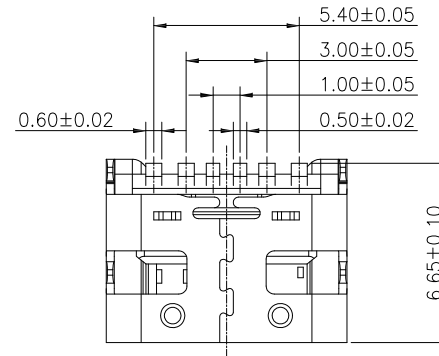
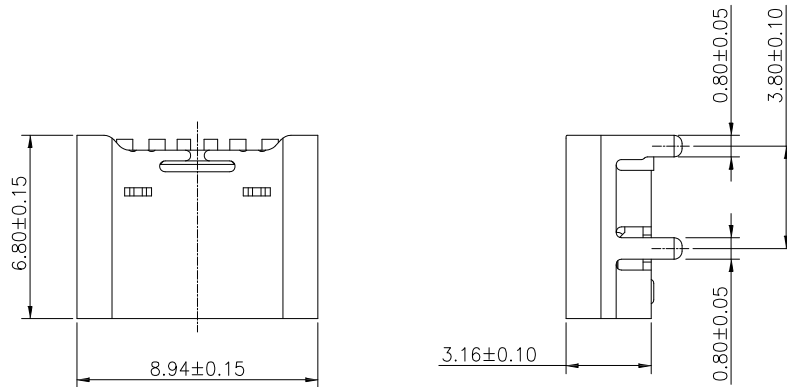
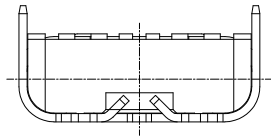
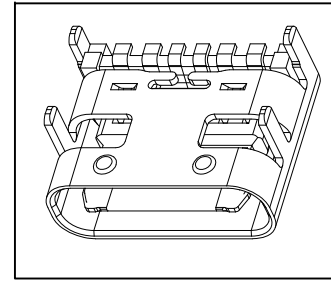
- 1.Electrical Characteristics:
 Contact Current Rating: 3 Amperes Max.
 Rated Voltage: 30V Max.
 Dielectric Withstanding Voltage: AC 100V r.m.s.
 Insulation Resistance: 100 MΩ Minimum.
 Contact Resistance: 40 mΩ Maximum.
- 2.Environmental:
 Operating Temperature: -40°C~+85°C.
- 3.Mechanical Characteristics:
 Insertion Force: 5~20Nf.
 Withdrawal Force: 6~20Nf.
 Durability Cycles: 10000 Cycles.

4.MATERIAL

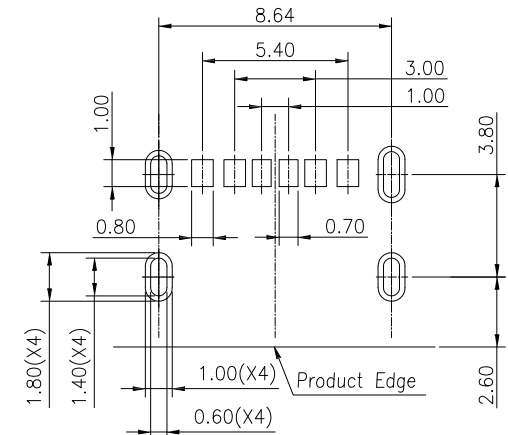
Contact: Phosphorous copper
 Shell: SUS/SPCC/BRASS
 Insulator Material: LCP UL94V-0

SURFACE TREATMENT

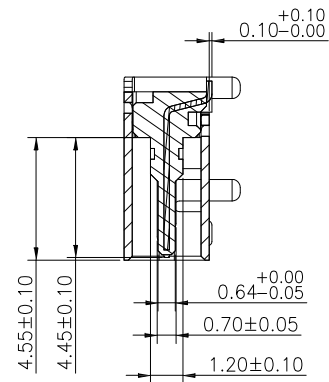
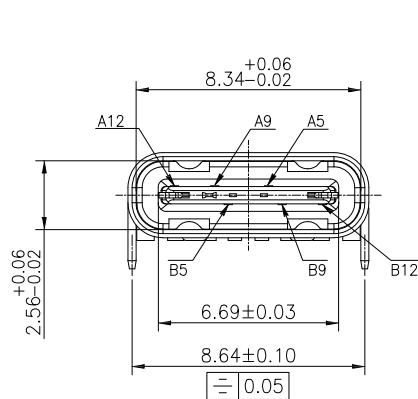
Terminal: Contact area gold plating 1U ”
 welding area tin plating
 Shell: Nickel plating



| | | | |
|-----|-------------|-----|-------------|
| A5 | CC1 | B5 | CC2 |
| A9 | VBUS | B9 | VBUS |
| A12 | GND | B12 | GND |
| PIN | SIGNAL NAME | PIN | SIGNAL NAME |



RECOMMENDED P.C.B. LAYOUT
 TOLERANCE UNSPECIFIED ±0.05mm



Section:A-A

U CTY-F-06-XXN-WRS-P-M1-F-X-000

USB
 CTY:USB TYPE-C
 F:母头(插座)
 6PIN
 外壳材质:
 10:铜壳
 20:铁壳
 30:不锈钢

外壳电镀:
 N:镀镍

四脚全插
 包装方式
 R:卷装
 RM:卷装+麦拉
 塑胶材质:
 F:LCP
 端子电镀:
 M1:雾锡半金1U”
 端子材质:
 P:磷铜
 形状:
 WRS: 卧贴

| | | | |
|--------------------------------------|---------------|---|--|
| TOLERANCE UNLESS OTHERWISE SPECIFIED | | BZOC 东莞市柏洲电子有限公司 Dongguan Bzoc Electronics, Ltd | |
| .X± 0.35 | X.*± 1.5' | APR. AX.T | TITLE: USB TYPE-C 母座 6PIN 90度SMT |
| .XX± 0.25 | .X*± 1.0' | CHK. Y.L | PART NO. |
| .XXX± 0.15 | .XX*± 0.5' | DRA. Y.L | PROJ. UNITS: MM SCALE: 1:1 SHEET. 1 / 1 |
| REV. | ECN. NO. | APR. | DATE |
| A0 | FIRST RELEASE | Y.L | 2019.06.21 |
| CUSTOMER DRAWING | | | |