



产品规格书

PRODUCT SPECIFICATION

客户名称 CUSTOMER: _____

产品型号 MODEL: HNR-2310A

客户型号 USER'S MODEL: _____

日期 DATE: 2019-12-3

江苏华能电子有限公司			客户回签		
HUAWHA			CUSTOMER		
SERVE RATITY			CUSTOMER RATIGY		
拟制	审核	批准	检验	审核	批准
REPORT	CHECKED	APPROVED	TEST	CHECKED	APPROVED
唐华萍	工稿萍用章	张长华			

江苏华能电子有限公司

JIANGSU HUAWHA ELECTRONICS CO.,LTD

地址：江苏省泰州市兴化市陈堡镇工业园区

ADD:Chenbao Industrial Park, Chenbao Town, Xinghua,Taizhou City, Jiangsu China.

电话 [TEL:0523-83710666](tel:0523-83710666)

传真 [FAX:0523-83724866](tel:0523-83724866)

网址: www.huawha.com

邮箱: hndz_wwj@huawha.com

1.基本规格/General specification

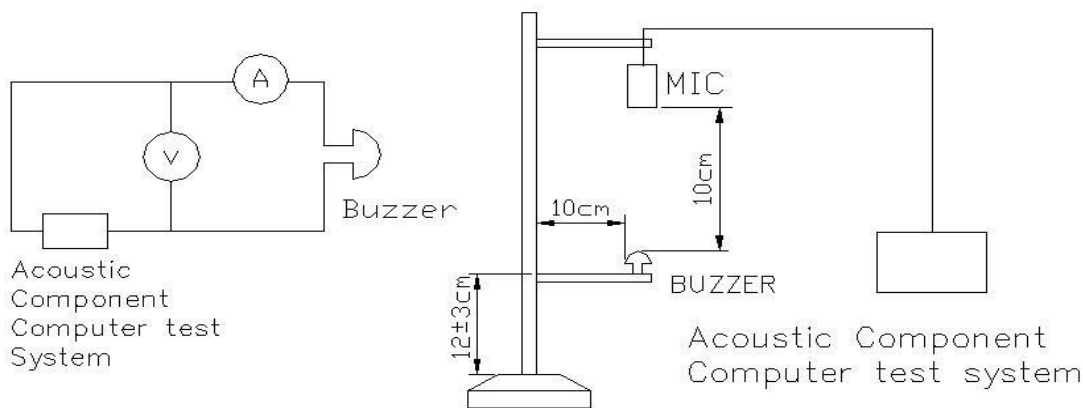
项目/Item		规格/Spec	条件/Condition
1	额定电压 Rated voltage	12V	
2	工作电压 Operation voltage	1-30V	
3	声压 Sound Pressure Level=SPL	≥ 85 at 4.0KHz Square Wave	测试环境：标准状态，标准驱动电路， 额定电压 测试距离：0.1m Standard State,Standard Drive Circuit. Rated voltage,Distance at 0.1m
4	电流 current	Max8mA	
5	振荡频率 Oscillation frequency	3500±500HZ	
7	工作温度范围 Operating Temperature	-20~+70°C	
8	保存温度范围 Storage temperature	-30~+80°C	
9	外部尺寸 Externals size (mm)	Φ23*H10	参阅附图 Refer to the attached drawing
10	重量 Mass	3g	
11	材质 Housing Material	ABS	

2.电气和声学测试条件/Electrical And Acoustical Measuring Condition

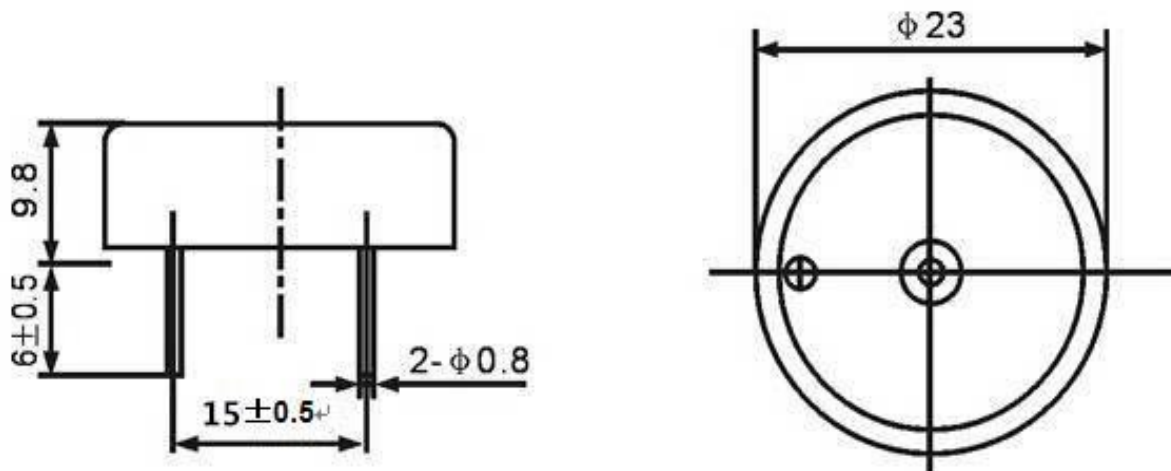
驱动电路/Recommended Driving Circuit

设置 Recommended Setting

Resonant frequency, 1/2 duty cycle. Square wave.
Signal amplitude should be large enough to saturate the transistor.



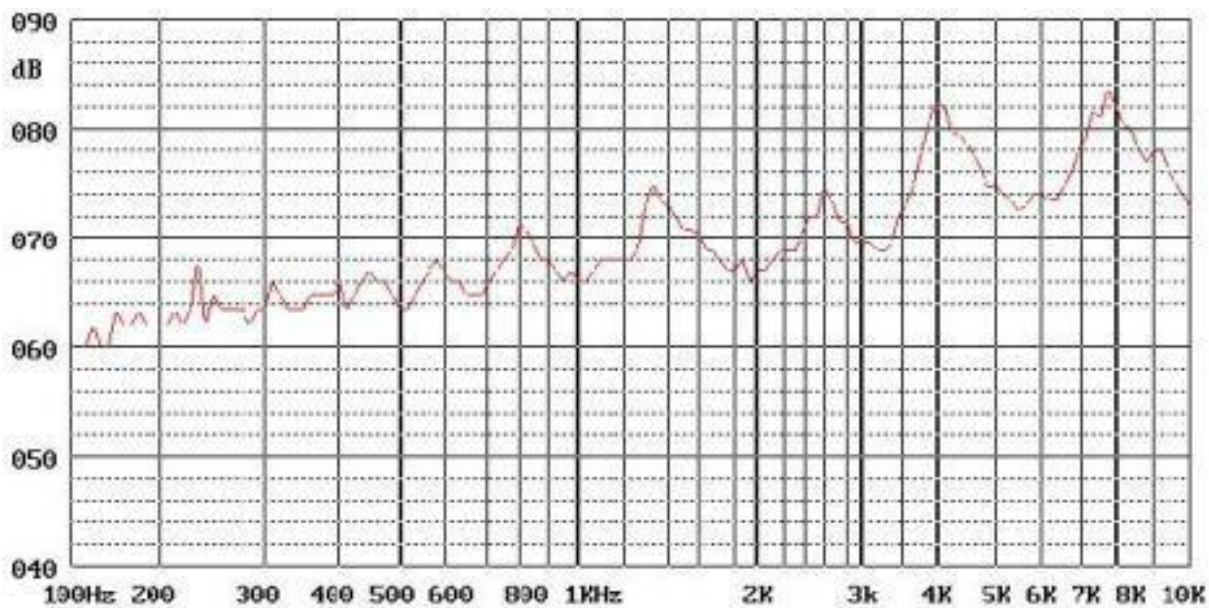
4.尺寸图 Dimension



*Unit: mm; Tolerance: $\pm 0.3\text{mm}$ Except Specified

*Housing Material: BlackABS

5.频率响应/Frequency Response



12Vo-p 50% duty Square wave,10cm