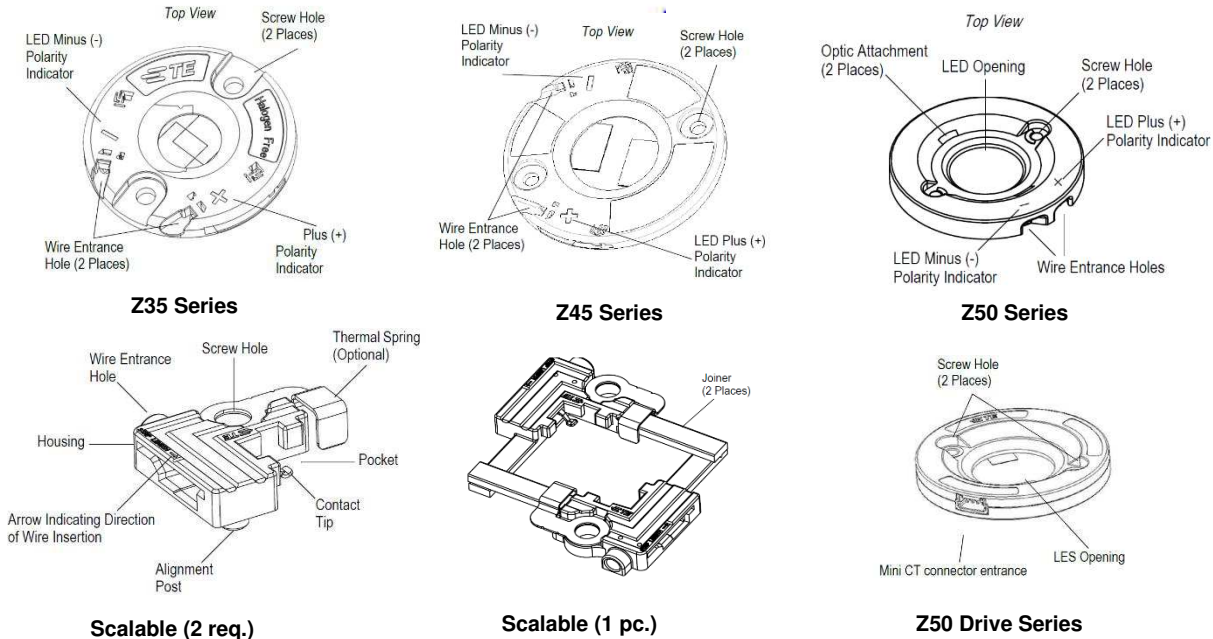


**LUMAWISE LED Holders**

**1. INTRODUCTION**

This specification provides a cross reference for a variety of available LEDs to all TE LUMAWISE LED holders. The LED holders allow direct attachment of the LED to a cooling device using two customer-supplied mounting screws and provide poke-in and two-piece connector terminations to electrically connect the LED.



**2. REFERENCE MATERIAL**

**2.1. Revision Summary**

Revisions to this application specification include:

- Initial release of application specification

**2.2. Customer Assistance**

Reference Product Base Part Numbers and Product Code L836 are representative of LUMAWISE LED holders. Use of these numbers will identify the product line and help you to obtain product and tooling information. Such information can be obtained through a local Representative, by visiting our website at [www.te.com](http://www.te.com), or by calling PRODUCT INFORMATION or the TOOLING ASSISTANCE CENTER at the numbers at the bottom of this page.

**2.3. Drawings**

Customer Drawings for product part numbers are available from the service network. If there is a conflict between the information contained in the Customer Drawings and this specification or with any other technical documentation supplied, call PRODUCT INFORMATION at the number at the bottom of this page.

## 2.4. Specifications

Product Specifications provide product performance and test information:

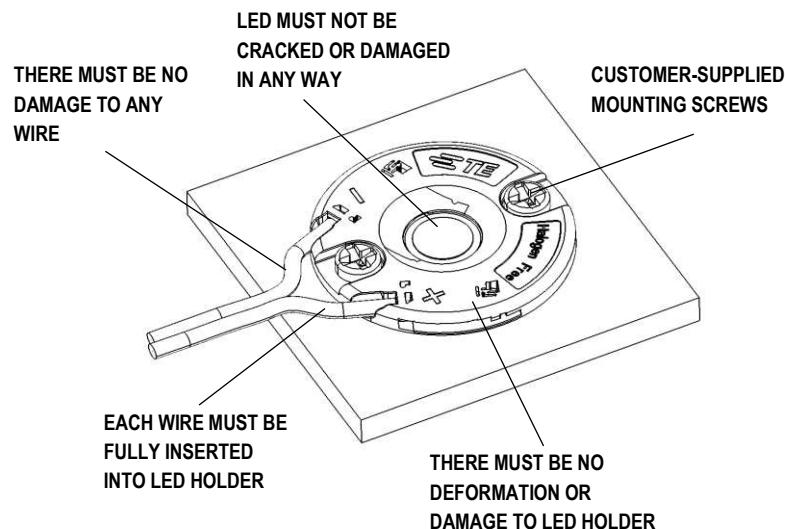
- 108-133002 TE Solderless LED Holder, Type LH
- 108-133005 Scalable LED Socket
- 108-133008 Solderless LUMAWISE Z50 Light Emitting Diode (LED) Holder
- 108-133018 LUMAWISE Z50 High Performance Light Emitting Diode (LED) Holders
- 108-133062 LUMAWISE Z35/Z45 Mini LED Holder Platform
- 108-133082 LUMAWISE Drive Z50 LED Holder

Application Specifications provide application details:

- 114-32042 Light Emitting Diode (LED) Holder (Type LH)
- 114-32043 Scalable Light Emitting Diode (LED) Socket
- 114-32048 LUMAWISE Z50 Light Emitting Diode (LED) Holder
- 114-133019 LUMAWISE Z50 High-Performance Light Emitting Diode (LED) Holders
- 114-133062 LUMAWISE Z35 Mini LED holder
- 114-133082 LUMAWISE Drive Z50 LED Holder
- 114-133107 LUMAWISE Z45 LED Holder

## 3. VISUAL AID

The illustration below shows a typical application of a LUMAWISE LED holder. Similar Application Specification illustrations should be used by production personnel to ensure a correctly applied product. Applications which DO NOT appear correct should be inspected using the information in the applicable Application Specifications and in the instructional material shipped with the product or tooling.



**4. LED-TO-HOLDER CROSS REFERENCE**

LED TYPE	LED REFERENCE DIMENSION	LUMAWISE LED HOLDER TYPE (BOLD text indicates preferred part numbers)				
		Z35	Z45	Z50	Z50 DRIVE (1)	SCALABLE
BRIDGELUX DS151 VESTA 13mm ARRAY and 15mm ARRAY	20.0 X 24.0		2-2325811-1 3-2325811-1			
BRIDGELUX DS150 VESTA 9mm ARRAY	12.0 X 15.0	3-2213678-3 3-2213678-4				
BRIDGELUX LS	17.5 X 13.3					1-2154857-3
BRIDGELUX V10 GEN 6	15.8 X 15.80					2-2154857-1
BRIDGELUX V10C GEN 7 ARRAY	19.0 X 19.0	2213678-4 2213678-5	2325807-2 1-2325807-2			
BRIDGELUX V13D GEN 7 ARRAY	19.0 X 19.0			2213254-1 2213254-2		
BRIDGELUX V15 GEN 6	21.0 X 21.0					2-2154857-1
BRIDGELUX V22C GEN 7 ARRAY	27.6 X 28.0			2213480-1		
CITIZEN CLL020	13.5 X 13.5	2213678-5 2213678-6				2-2154857-1 (2 PC) 6-2154874-1 (1 PC)
CITIZEN CLL022	13.5 X 13.5	2213678-5 2213678-6				2-2154857-1 (2 PC) 6-2154874-1 (1 PC)
CITIZEN CLL030/032	19.0 X 19.0		2325807-3 1-2325807-3	2213254-1 2213254-2		2-2154857-1 (2 PC) 6-2154874-2 (1 PC)
CITIZEN CLL030-1212A1-50KL1A1	19.0 X 19.0				2213699-3 1-2213699-3 2-2213699-3 3 2213699-3 2316510-3 1-2316510-3 2-2316510-3 3-2316510-3	
CITIZEN CLL040/042	28.0 X 28.0			2213480-1		2-2154857-2 (2 PC) 6-2154874-3 (1 PC)
CITIZEN CLL050/052	38.0 X 38.0					2-2154857-2 (2 PC) 6-2154874-4 (1 PC)
CITIZEN CLL036-1205C1	19.0 X 19.0			2213254-1 2213254-2		
CITIZEN CLL036-1206C1	19.0 X 19.0			2213254-1 2213254-2		
CITIZEN CLL036-1208C1, REF. CE-P3080 04/15	19.0 X 19.0			2213254-1 2213254-2		
CITIZEN CLU024		2213678-5 2213678-6				
CITIZEN CLU025		2213678-5 2213678-6				
CITIZEN CLU026		2213678-5 2213678-6				
CITIZEN CLU027		2213678-5 2213678-6				
CITIZEN CLU032-1205A5-303M1A2	19.0 X 19.0				2213699-3 1-2213699-3 2-2213699-3 3 2213699-3 2316510-3 1-2316510-3 2-2316510-3 3-2316510-3	
CITIZEN CLU034	19.0 X 19.0		2325807-3 1-2325807-3	2213254-1 2213254-2		
CITIZEN CLU034-1205C4	19.0 X 19.0				2213699-3 1-2213699-3 2-2213699-3 3 2213699-3 2316510-3 1-2316510-3 2-2316510-3 3-2316510-3	
CITIZEN CLU036	19.0 X 19.0		2325807-3 1-2325807-3	2213254-1 2213254-2		

LED TYPE	LED REFERENCE DIMENSION	LUMAWISE LED HOLDER TYPE (BOLD text indicates preferred part numbers)				
		Z35	Z45	Z50	Z50 DRIVE (1)	SCALABLE
CITIZEN CLU036-1205C1	19.0 X 19.0				2213699-3 1-2213699-3 2-2213699-3 3 2213699-3 2316510-3 1-2316510-3 2-2316510-3 3-2316510-3	
CITIZEN CLU038	19.0 X 19.0		2325807-3 1-2325807-3			
CITIZEN CLU038-1206C4				2213254-1 2213254-2		
CITIZEN CLU038-1208C4	19.0 X 19.0				22136999-3 1-2213699-3 2-2213699-3 3 2213699-3 2316510-3 1-2316510-3 2-2316510-3 3-2316510-3	
CITIZEN CLU044	27.6 X 28.0			2213480-1		
CITIZEN CLU046	27.6 X 28.0			2213480-1		
CITIZEN CLU048-1212C4				2213480-1		
CITIZEN CLU700		2213678-5 2213678-6				
CITIZEN CLU701		2213678-5 2213678-6				
CITIZEN CLU710	19.0 X 19.0		2325807-2 1-2325807-2			
CITIZEN CLU711	19.0 X 19.0		2325807-2 1-2325807-2			
CITIZEN CLU720	19.0 X 19.0		2325807-3 1-2325807-3	2213254-1 2213254-2		
CITIZEN CLU720-1206C1	19.0 X 19.0				2213699-3 1-2213699-3 2-2213699-3 3 2213699-3 2316510-3 1-2316510-3 2-2316510-3 3-2316510-3	
CITIZEN CLU721	19.0 X 19.0		2325807-3 1-2325807-3			
CITIZEN CLU730	27.6 X 28.0			2213480-1		
CITIZEN CLU710-1204C1	19.0 X 19.0	2213929-7 2213929-8 1-2213929-7 1-2213929-8				
CITIZEN CLU711-1204C1	19.0 X 19.0	2213929-7 2213929-8 1-2213929-7 1-2213929-8			2213699-3 1-2213699-3 2-2213699-3 3 2213699-3 2316510-3 1-2316510-3 2-2316510-3 3-2316510-3	
CITIZEN CLU721-1206C1	19.0 X 19.0	2213929-3 2213929-4 1-2213929-3 1-2213829-4				

LED TYPE	LED REFERENCE DIMENSION	LUMAWISE LED HOLDER TYPE (BOLD text indicates preferred part numbers)				
		Z35	Z45	Z50	Z50 DRIVE (1)	SCALABLE
CITIZEN CLU721-1206C4	19.0 X 19.0				2213699-3 1-2213699-3 2-2213699-3 3 2213699-3 2316510-3 1-2316510-3 2-2316510-3 3-2316510-3	
CITIZEN L330	28.0 X 19.0					2-2154857-3
CITIZEN L340	28.5 X 28.5					2-2154857-3
CREE CMT 1420	13.5 X 13.5	2213678-5 2213678-6				
CREE CMT 1922, CMT 1925, and CMT 1930	19.0 X 19.0		2325807-3 1-2325807-3	2213254-1 2213254-2	2213699-3 1-2213699-3 2-2213699-3 3 2213699-3 2316510-3 1-2316510-3 2-2316510-3 3-2316510-3	
CREE CMT 1945	19.0 X 19.0				2213699-3 1-2213699-3 2-2213699-3 3 2213699-3 2316510-3 1-2316510-3 2-2316510-3 3-2316510-3	
CREE CMT 2890	27.6 X 28.0			2213480-1		
CREE CXA2011	22.0 X 22.0					1-2154857-3 (2 PC) 5-2154874-1 (1 PC)
CREE CXA13XX/CXB13XX	13.35 X 13.35					2-2154857-2
CREE CXA15XX/CXB15XX	15.85 X 15.85					2-2154857-2 (2 PC) 5-2154874-2 (1 PC)
CREE CXA1812	17.85 X 17.85			2213401-1 2213401-2		
CREE CXA1816/CXB1816	17.85 X 17.85					2-2154857-2
CREE CXA1820/CXB1820	17.85 X 17.85			2213401-1 2213401-2		2-2154857-1
CREE CXA1830/CXB1830	17.85 X 17.85					2-2154857-1
CREE CXA25XX	23.85 X 23.85					2-2154857-2 (2 PC) 5-2154874-3 (1 PC)
CREE CXA30XX	27.35 X 27.35					2-2154857-2
CREE CXB 3590	34.85 X 34.85					2-2154857-3
EDISON-OPTO HE CR180 SERIES	19.0 X 19.0		2325807-3 1-2325807-3		2213699-3 1-2213699-3 2-2213699-3 3 2213699-3 2316510-3 1-2316510-3 2-2316510-3 3-2316510-3	
EDISON-OPTO HE CR190 SERIES	19.0 X 19.0		2325807-3 1-2325807-3		2213699-3 1-2213699-3 2-2213699-3 3 2213699-3 2316510-3 1-2316510-3 2-2316510-3 3-2316510-3	
EDISON-OPTO HM CR180 SERIES	19.0 X 19.0		2325807-3 1-2325807-3			
EDISON-OPTO HM CR190 SERIES	19.0 X 19.0		2325807-3 1-2325807-3			

LED TYPE	LED REFERENCE DIMENSION	LUMAWISE LED HOLDER TYPE (BOLD text indicates preferred part numbers)				
		Z35	Z45	Z50	Z50 DRIVE (1)	SCALABLE
EDISON-OPTO SL SERIES	19.0 X 19.0		<b>2325807-3</b> <b>1-2325807-3</b>		2213699-3 1-2213699-3 2-2213699-3 3 2213699-3 2316510-3 1-2316510-3 2-2316510-3 3-2316510-3	
EDISON-OPTO 2PHE20CW27P34001	19.0 X 19.0				2213699-3 1-2213699-3 2-2213699-3 3 2213699-3 2316510-3 1-2316510-3 2-2316510-3 3-2316510-3	
EDISON-OPTO 2PHE20CW38P34001	19.0 X 19.0				2213699-3 1-2213699-3 2-2213699-3 3 2213699-3 2316510-3 1-2316510-3 2-2316510-3 3-2316510-3	
EDISON-OPTO 2PHE30CW27P34001	19.0 X 19.0				2213699-3 1-2213699-3 2-2213699-3 3 2213699-3 2316510-3 1-2316510-3 2-2316510-3 3-2316510-3	
EDISON-OPTO 2PHE30CW38P34001	19.0 X 19.0				2213699-3 1-2213699-3 2-2213699-3 3 2213699-3 2316510-3 1-2316510-3 2-2316510-3 3-2316510-3	
EDISON-OPTO 2PHM09X	13.5 X 13.5	<b>2213678-5</b> <b>2213678-6</b>				2-2154857-1 (2 PC) 6-2154874-1 (1 PC)
EDISON-OPTO 2PHM30X	19.0 X 19.0					<b>2-2154857-1 (2 PC)</b> <b>6-2154874-2 (1 PC)</b>
EDISON-OPTO 2PHM30XWXXP13001	19.0 X 19.0			2213254-1 2213254-2		
EDISON-OPTO 2PHM40X	27.6 X 28.0			2213480-1		
EVERLIGHT 1919	19.0 X 19.0				2213699-3 1-2213699-3 2-2213699-3 3 2213699-3 2316510-3 1-2316510-3 2-2316510-3 3-2316510-3	
EVERLIGHT EAHP1919	19.0 X 19.0		<b>2325807-2</b> <b>1-2325807-2</b>			
EVERLIGHT EAHP1919/XUAN1919	19.0 X 19.0			2213254-1 2213254-2		
EVERLIGHT EAHP2024	20.0 X 24.0		<b>2325811-2</b> <b>1-2325811-2</b>		2213699-2 1-2213699-2 2-2213699-2 3 2213699-2 2316510-2 1-2316510-2 2-2316510-2 3-2316510-2	
EVERLIGHT JU1215		<b>2213678-3</b> <b>2213678-4</b>				
LEXTAR NIMBUS 1500	19.0 X 19.0			2213254-1 2213254-2		

LED TYPE	LED REFERENCE DIMENSION	LUMAWISE LED HOLDER TYPE (BOLD text indicates preferred part numbers)				
		Z35	Z45	Z50	Z50 DRIVE (1)	SCALABLE
LEXTAR PB16H	19.0 X 19.0		<b>2325807-3</b> <b>1-2325807-3</b>		<b>2213699-3</b> <b>1-2213699-3</b> <b>2-2213699-3</b> <b>3 2213699-3</b> <b>2316510-3</b> <b>1-2316510-3</b> <b>2-2316510-3</b> <b>3-2316510-3</b>	
LEXTAR PB16U	19.0 X 19.0		<b>2325807-3</b> <b>1-2325807-3</b>		<b>2213699-3</b> <b>1-2213699-3</b> <b>2-2213699-3</b> <b>3 2213699-3</b> <b>2316510-3</b> <b>1-2316510-3</b> <b>2-2316510-3</b> <b>3-2316510-3</b>	
LEXTAR PB19H	19.0 X 19.0		<b>2325807-3</b> <b>1-2325807-3</b>		<b>2213699-3</b> <b>1-2213699-3</b> <b>2-2213699-3</b> <b>3 2213699-3</b> <b>2316510-3</b> <b>1-2316510-3</b> <b>2-2316510-3</b> <b>3-2316510-3</b>	
LEXTAR PB19U	19.0 X 19.0		<b>2325807-3</b> <b>1-2325807-3</b>		<b>2213699-3</b> <b>1-2213699-3</b> <b>2-2213699-3</b> <b>3 2213699-3</b> <b>2316510-3</b> <b>1-2316510-3</b> <b>2-2316510-3</b> <b>3-2316510-3</b>	
LEXTAR PB26H	19.0 X 19.0		<b>2325807-3</b> <b>1-2325807-3</b>		<b>2213699-3</b> <b>1-2213699-3</b> <b>2-2213699-3</b> <b>3 2213699-3</b> <b>2316510-3</b> <b>1-2316510-3</b> <b>2-2316510-3</b> <b>3-2316510-3</b>	
LEXTAR PB26U	19.0 X 19.0		<b>2325807-3</b> <b>1-2325807-3</b>			
LG INNOTEK 10, 13, 17, 24W LEMWM	24.4 X 18.0					<b>2-2154857-2</b>
LG INNOTEK LEMWM28C80HZXXXX	27.6 X 28.0			<b>2213480-1</b>		
LG INNOTEK LEMWM28C80LZXXXX	27.6 X 28.0			<b>2213480-1</b>		
LUMILEDS 120206xCx	16.0 X 19.0				<b>2213699-4</b> <b>1-2213699-4</b> <b>2-2213699-4</b> <b>3 2213699-4</b> <b>2316510-4</b> <b>1-2316510-4</b> <b>2-2316510-4</b> <b>3-2316510-4</b>	
LUMILEDS 1204	20.0 X 24.0		<b>2325811-2</b> <b>1-2325811-2</b>	2213130-1 2213130-2	<b>2213699-2</b> <b>1-2213699-2</b> <b>2-2213699-2</b> <b>3 2213699-2</b> <b>2316510-2</b> <b>1-2316510-2</b> <b>2-2316510-2</b> <b>3-2316510-2</b>	
LUMILEDS 1205	20.0 X 24.0		<b>2325811-2</b> <b>1-2325811-2</b>	2213130-1 2213130-2	<b>2213699-2</b> <b>1-2213699-2</b> <b>2-2213699-2</b> <b>3 2213699-2</b> <b>2316510-2</b> <b>1-2316510-2</b> <b>2-2316510-2</b> <b>3-2316510-2</b>	

LED TYPE	LED REFERENCE DIMENSION	LUMAWISE LED HOLDER TYPE (BOLD text indicates preferred part numbers)				
		Z35	Z45	Z50	Z50 DRIVE (1)	SCALABLE
LUMILEDS 1208	20.0 X 24.0		<b>2325811-2</b> <b>1-2325811-2</b>	2213130-1 2213130-2	2213699-2 1-2213699-2 2-2213699-2 3 2213699-2 2316510-2 1-2316510-2 2-2316510-2 3-2316510-2	
LUMILEDS 1202 CRSP	16.0 X 19.0				2213699-4 1-2213699-4 2-2213699-4 3 2213699-4 2316510-4 1-2316510-4 2-2316510-4 3-2316510-4	
LUMILEDS 1203 CRSP	16.0 X 19.0				2213699-4 1-2213699-4 2-2213699-4 3 2213699-4 2316510-4 1-2316510-4 2-2316510-4 3-2316510-4	
LUMILEDS 1204 CRSP	20.0 X 24.0		<b>2325811-2</b> <b>1-2325811-2</b>	2213130-1 2213130-2	2213699-2 1-2213699-2 2-2213699-2 3 2213699-2 2316510-2 1-2316510-2 2-2316510-2 3-2316510-2	
LUMILEDS 1205 CRSP	20.0 X 24.0		<b>2325811-2</b> <b>1-2325811-2</b>	2213130-1 2213130-2	2213699-2 1-2213699-2 2-2213699-2 3 2213699-2 2316510-2 1-2316510-2 2-2316510-2 3-2316510-2	
LUMILEDS 1208 CRSP	20.0 X 24.0		<b>2325811-2</b> <b>1-2325811-2</b>	2213130-1 2213130-2	2213699-2 1-2213699-2 2-2213699-2 3 2213699-2 2316510-2 1-2316510-2 2-2316510-2 3-2316510-2	
LUMILEDS 1204 GEN 3	20.0 X 24.0		<b>2325811-2</b> <b>1-2325811-2</b>	2213130-1 2213130-2		
LUMILEDS 1205 GEN 3	20.0 X 24.0		<b>2325811-2</b> <b>1-2325811-2</b>	2213130-1 2213130-2		
LUMILEDS 1208 GEN 3	20.0 X 24.0		<b>2325811-2</b> <b>1-2325811-2</b>	2213130-1 2213130-2		
LUMILEDS 1216	28.0 X 28.0			<b>2213480-1</b>		
LUMILEDS LHC1-XXXX1204	20.0 X 24.0				2213699-2 1-2213699-2 2-2213699-2 3 2213699-2 2316510-2 1-2316510-2 2-2316510-2 3-2316510-2	
LUMILEDS LHC1-3070-1205	20.0 X 24.0				2213699-2 1-2213699-2 2-2213699-2 3 2213699-2 2316510-2 1-2316510-2 2-2316510-2 3-2316510-2	



LED TYPE	LED REFERENCE DIMENSION	LUMAWISE LED HOLDER TYPE (BOLD text indicates preferred part numbers)				
		Z35	Z45	Z50	Z50 DRIVE (1)	SCALABLE
LUMILEDS L2C5-XXXX1202E0900	16.0 X 19.0	2213929-5 1-2213929-5 2213929-6 1-2213929-6			2213699-4 1-2213699-4 2-2213699-4 3 2213699-4 2316510-4 1-2316510-4 2-2316510-4 3-2316510-4	
LUMILEDS L2C5-XXXX1203E0900	16.0 X 19.0	2213929-5 1-2213929-5 2213929-6 1-2213929-6			2213699-4 1-2213699-4 2-2213699-4 3 2213699-4 2316510-4 1-2316510-4 2-2316510-4 3-2316510-4	
LUMILEDS L2C5-XXXX1204	20.0 X 24.0				2213699-2 1-2213699-2 2-2213699-2 3 2213699-2 2316510-2 1-2316510-2 2-2316510-2 3-2316510-2	
LUMILEDS LUXEON COB 105		2213678-3 2213678-4				
LUMILEDS LUXEON COB 107		2213678-3 2213678-4				
LUMILEDS LUXEON COB 109		2213678-3 2213678-4				
LUMILEDS LUXEON COB 1202s		2213678-3			2213699-4 1-2213699-4 2-2213699-4 3 2213699-4 2316510-4 1-2316510-4 2-2316510-4 3-2316510-4	
LUMINUS CGM-14 GEN 4	19.0 X 19.0		2325807-2 1-2325807-2	2213254-1 2213254-2		2154857-1
LUMINUS CGM-22 GEN 4	28.0 X 28.0			2213480-1		
LUMINUS CHM-6-XH20 / XH30		2213678-5 2213678-6				2154857-1
LUMINUS CHM-9-AC00		2213678-5		2213254-1 2213254-2		
LUMINUS CHM-9-XD20	15.0 X 15.0					2154857-2
LUMINUS CHM-9-XH20 / XH30	19.0 X 19.0		2325807-2 1-2325807-2	2213254-1 2213254-2		2154857-1
LUMINUS CHM-11-XH20	19.0 X 19.0		2325807-2 1-2325807-2	2213254-1 2213254-2		2154857-1
LUMINUS CHM-11/CXM11	19.0 X 19.0	2213929-3 1-2213929-3			2213699-3 1-2213699-3 2-2213699-3 3 2213699-3 2316510-3 1-2316510-3 2-2316510-3 3-2316510-3	
LUMINUS CHM-14	19.0 X 19.0				2213699-3 1-2213699-3 2-2213699-3 3 2213699-3 2316510-3 1-2316510-3 2-2316510-3 3-2316510-3	
LUMINUS CHM-14-AC00	19.0 X 19.0		2325807-3 1-2325807-3			
LUMINUS CHM-14-AC10	19.0 X 19.0		2325807-3 1-2325807-3			

LED TYPE	LED REFERENCE DIMENSION	LUMAWISE LED HOLDER TYPE (BOLD text indicates preferred part numbers)				
		Z35	Z45	Z50	Z50 DRIVE (1)	SCALABLE
LUMINUS CHM-14-XH20	28.0 X 28.0			<b>2213480-1</b>		
LUMINUS CLM-9 GEN 3 / GEN 4	13.5 X 13.5	<b>2213678-5</b> <b>2213678-6</b>				2154857-1
LUMINUS CLM-14 GEN 3	18.5 x 18.5					<b>2154857-2</b>
LUMINUS CLM-14 GEN 3 / GEN 4	19.0 X 19.0		<b>2325807-3,</b> <b>1-2325807-3</b>	2213254-1 2213254-2	<b>2213699-3</b> <b>1-2213699-3</b> <b>2-2213699-3</b> <b>3 2213699-3</b> <b>2316510-3</b> <b>1-2316510-3</b> <b>2-2316510-3</b> <b>3-2316510-3</b>	2154857-1
LUMINUS CLM-22 GEN 4	28.0 X 28.0			<b>2213480-1</b>		
LUMINUS CXM-4 GEN4	13.5 X 13.5	<b>2213678-5</b> <b>2213678-6</b>				2154857-1
LUMINUS CXM-6 GEN 3	12.0 X 13.0					<b>2154857-2</b>
LUMINUS CXM-6 GEN 3 / GEN 4	13.5 X 13.5	<b>2213678-5</b> <b>2213678-6</b>				2154857-1
LUMINUS CXM-9 GEN3 / GEN 4	13.5 X 13.5	<b>2213678-5</b> <b>2213678-6</b>				
LUMINUS CXM-9 GEN 4	15.0 X 15.0					<b>2154857-2</b>
LUMINUS CXM-11 GEN 3	18.5 x 18.5					<b>2154857-2</b>
LUMINUS CXM-11 GEN 3 / GEN4	19.0 X 19.0		<b>2325807-2,</b> <b>1-2325807-2</b>		<b>2213699-3</b> <b>1-2213699-3</b> <b>2-2213699-3</b> <b>3 2213699-3</b> <b>2316510-3</b> <b>1-2316510-3</b> <b>2-2316510-3</b> <b>3-2316510-3</b>	2154857-1
LUMINUS CXM-11-AC00	19.0 X 19.0		<b>2325807-3,</b> <b>1-2325807-3</b>	2213254-1 2213254-2		
LUMINUS CXM-11-XH00	19.0 X 19.0		<b>2325807-3,</b> <b>1-2325807-3</b>		<b>2213699-3</b> <b>1-2213699-3</b> <b>2-2213699-3</b> <b>3 2213699-3</b> <b>2316510-3</b> <b>1-2316510-3</b> <b>2-2316510-3</b> <b>3-2316510-3</b>	
LUMINUS CXM-14 GEN3	18.5 X 18.5					<b>2154857-2</b>
LUMINUS CXM-14 GEN 3 / GEN 4	19.0 X 19.0		<b>2325807-2,</b> <b>1-2325807-2</b>	2213254-1 2213254-2	<b>2213699-3</b> <b>1-2213699-3</b> <b>2-2213699-3</b> <b>3 2213699-3</b> <b>2316510-3</b> <b>1-2316510-3</b> <b>2-2316510-3</b> <b>3-2316510-3</b>	2154857-1
LUMINUS CXM-18 GEN 3 / GEN 4	21.5 X 21.5					<b>2154857-2</b>
LUMINUS CXM-22 GEN 3 GEN4	28.0 X 28.0			<b>2213480-1</b>		
LUMINUS CXM-27 GEN 3	31.5 X 31.5					<b>2154857-3</b>
LUMINUS CXM-32 GEN 4	38.0 X 38.0					<b>2154857-2</b>
NICHIA COB L SERIES	19.0 X 16.0					<b>2-2154857-1</b>
NICHIA COB -J360	24.0 X 19.0					<b>2-2154857-1</b>
NICHIA S SERIES		<b>2213678-3</b> <b>2213678-4</b>				

LED TYPE	LED REFERENCE DIMENSION	LUMAWISE LED HOLDER TYPE (BOLD text indicates preferred part numbers)					
		Z35	Z45	Z50	Z50 DRIVE (1)	SCALABLE	
NICHIA NVCWL024Z; NFCWL060B-V1; NFCLL060B-V1; NFCWL036B-V1M3	16.0 X 19.0	2213929-5 1-2213929-5 2213929-6 1-2213929-6				2213699-4 1-2213699-4 2-2213699-4 3 2213699-4 2316510-4 1-2316510-4 2-2316510-4 3-2316510-4	
OSRAM GW KAJ	30.0 X 30.0						3-2154857-3
OSRAM S13	19.0 X 19.0		2325807-2, 1-2325807-2				
OSRAM S13 2nd GEN	19.0 X 19.0			2213254-1 2213254-2		2213699-3 1-2213699-3 2-2213699-3 3 2213699-3 2316510-3 1-2316510-3 2-2316510-3 3-2316510-3	
OSRAM S15	19.0 X 19.0					2213699-3 1-2213699-3 2-2213699-3 3 2213699-3 2316510-3 1-2316510-3 2-2316510-3 3-2316510-3	
OSRAM S19 GW KAHLB2.CM	19.0 X 19.0					2213699-3 1-2213699-3 2-2213699-3 3 2213699-3 2316510-3 1-2316510-3 2-2316510-3 3-2316510-3	
PANASONIC C14 135		2213678-5 2213678-6					
PANASONIC C14 1919	19.0 X 19.0			2213254-1 2213254-2			
PANASONIC DMC124***F	19.0 X 19.0					2213699-3 1-2213699-3 2-2213699-3 3 2213699-3 2316510-3 1-2316510-3 2-2316510-3 3-2316510-3	
PANASONIC DMC125***F	19.0 X 19.0					2213699-3 1-2213699-3 2-2213699-3 3 2213699-3 2316510-3 1-2316510-3 2-2316510-3 3-2316510-3	
PANASONIC DMC128***F	19.0 X 19.0					2213699-3 1-2213699-3 2-2213699-3 3 2213699-3 2316510-3 1-2316510-3 2-2316510-3 3-2316510-3	
PANASONIC DMC 12CC	27.6 X 28.0			2213480-1			
PANASONIC DMC 17CC	27.6 X 28.0			2213480-1			

LED TYPE	LED REFERENCE DIMENSION	LUMAWISE LED HOLDER TYPE (BOLD text indicates preferred part numbers)				
		Z35	Z45	Z50	Z50 DRIVE (1)	SCALABLE
PANASONIC DMS099***F	19.0 X 19.0				2213699-3 1-2213699-3 2-2213699-3 3 2213699-3 2316510-3 1-2316510-3 2-2316510-3 3-2316510-3	
PANASONIC DMS120	27.6 X 28.0			2213480-1		
PANASONIC DMS124***G	19.0 X 19.0				2213699-3 1-2213699-3 2-2213699-3 3 2213699-3 2316510-3 1-2316510-3 2-2316510-3 3-2316510-3	
PANASONIC DMS125***G	19.0 X 19.0				2213699-3 1-2213699-3 2-2213699-3 3 2213699-3 2316510-3 1-2316510-3 2-2316510-3 3-2316510-3	
PANASONIC DMS126***G	19.0 X 19.0				2213699-3 1-2213699-3 2-2213699-3 3 2213699-3 2316510-3 1-2316510-3 2-2316510-3 3-2316510-3	
PANASONIC DMS128***G	19.0 X 19.0				2213699-3 1-2213699-3 2-2213699-3 3 2213699-3 2316510-3 1-2316510-3 2-2316510-3 3-2316510-3	
PANASONIC DMS150	27.6 X 28.0			2213480-1		
PANASONIC DMS12CC40G	27.6 X 28.0			2213480-1		
PHILIPS 1203	19.0 X 16.0					2-2154857-2
PHILIPS 1204, 1205, 1208	24.0 X 20.0					2-2154857-3
PHILIPS FORTIMO SLM C PW G6 2024	20.0 X 24.0		2325811-2, 1-2325811-2			
SAMSUNG LC013B						2-2154857-3
SAMSUNG LC026B, LC040B	21.5 X 21.5					2-2154857-3
SAMSUNG LC010C		2213678-3 2213678-4				
SAMSUNG LC020C	19.0 X 19.0			2213254-1 2213254-2		
SAMSUNG LC030C	19.0 X 19.0		2325807-2, 1-2325807-2	2213254-1 2213254-2		
SAMSUNG LC040C	16.0 X 19.0	2213929-5/-6 1-2213929-5 1-2213929-6			2213699-4 1-2213699-4 2-2213699-4 3 2213699-4 2316510-4 1-2316510-4 2-2316510-4 3-2316510-4	
SAMSUNG LC040C	19.0 X 19.0		2325807-2, 1-2325807-2	2213254-1 2213254-2		
SAMSUNG LC003D		2213678-2				

LED TYPE	LED REFERENCE DIMENSION	LUMAWISE LED HOLDER TYPE (BOLD text indicates preferred part numbers)				
		Z35	Z45	Z50	Z50 DRIVE (1)	SCALABLE
SAMSUNG LC006D		<b>2213678-2</b>				
SAMSUNG LC009D		<b>2213678-2</b>				
SAMSUNG LC013D		<b>2213678-2</b>				
SAMSUNG LC016D	19.0 X 19.0		<b>2325807-2, 1-2325807-2</b>	2213254-1 2213254-2	<b>2213699-3</b> 1-2213699-3 2-2213699-3 3 2213699-3 2316510-3 1-2316510-3 2-2316510-3 3-2316510-3	
SAMSUNG LC019D	19.0 X 19.0		<b>2325807-2, 1-2325807-2</b>	2213254-1 2213254-2	<b>2213699-3</b> 1-2213699-3 2-2213699-3 3 2213699-3 2316510-3 1-2316510-3 2-2316510-3 3-2316510-3	
SAMSUNG LC026D	19.0 X 19.0		<b>2325807-2, 1-2325807-2</b>	2213254-1 2213254-2	<b>2213699-3</b> 1-2213699-3 2-2213699-3 3 2213699-3 2316510-3 1-2316510-3 2-2316510-3 3-2316510-3	
SAMSUNG LC033D	19.0 X 19.0		<b>2325807-2, 1-2325807-2</b>	2213254-1 2213254-2		
SAMSUNG LC040D, LC060D, LC080D	28.0 X 28.0			<b>2213480-1</b>		2-2154857-2
SEOUL SAWx22AAA	28.0 X 28.0			<b>2213480-1</b>		
SEOUL SBW2F1B	19.0 X 19.0			<b>2213254-1 2213254-2</b>		
SEOUL SBW3F1A	19.0 X 19.0			<b>2213254-1 2213254-2</b>		
SEOUL SDW02F1C (ZC12)	19.0 X 19.0			<b>2213254-1 2213254-2</b>		
SEOUL SDW05F1C, SDW85F1C, ZC40	27.6 X 28.0			<b>2213480-1</b>		
SEOUL SDW81F1DY_ZC4		<b>2213678-5 2213678-6</b>				
SEOUL SDWX2F1A	19.0 X 19.0		<b>2325807-2, 1-2325807-2</b>			
SEOUL SDWX2F1C	19.0 X 19.0				<b>2213699-3</b> 1-2213699-3 2-2213699-3 3 2213699-3 2316510-3 1-2316510-3 2-2316510-3 3-2316510-3	
SEOUL SDWX3F1C	19.0 X 19.0		<b>2325807-2, 1-2325807-2</b>	2213254-1 2213254-2	<b>2213699-3</b> 1-2213699-3 2-2213699-3 3 2213699-3 2316510-3 1-2316510-3 2-2316510-3 3-2316510-3	
SEOUL SEMI SBWW1F1A	13.25 X 13.25					2-2154857-1
SEOUL SEMI SBWW2F1A	17.75 X 17.75					2-2154857-2

LED TYPE	LED REFERENCE DIMENSION	LUMAWISE LED HOLDER TYPE (BOLD text indicates preferred part numbers)				
		Z35	Z45	Z50	Z50 DRIVE (1)	SCALABLE
SHARP MEGA-ZENIGATA	24.0 X 20.0					2-2154857-3
SHARP MINI-ZENIGATA	12.0 X 15.0	<b>2213678-3</b> <b>2213678-4</b>				2-2154857-1
SHARP MEGA TUNEABLE WHITE GW6TGBJC50C	20.0 X 24.0		<b>2325807-2,</b> <b>1-2325807-2</b>		<b>2213699-2</b> <b>1-2213699-2</b> <b>2-2213699-2</b> <b>3 2213699-2</b> <b>2316510-2</b> <b>1-2316510-2</b> <b>2-2316510-2</b> <b>3-2316510-2</b>	
SHARP MEGA ZENIGATA GW5DGC**M04	20.0 X 24.0		<b>2325807-2,</b> <b>1-2325807-2</b>		<b>2213699-2</b> <b>1-2213699-2</b> <b>2-2213699-2</b> <b>3 2213699-2</b> <b>2316510-2</b> <b>1-2316510-2</b> <b>2-2316510-2</b> <b>3-2316510-2</b>	
TRIDONIC SLE-G5-LES6	13.5 X 13.5	<b>2213678-5</b> <b>2213678-6</b>				
TRIDONIC SLE-G5-LES11	13.5 X 13.5	<b>2213678-5</b> <b>2213678-6</b>				
TRIDONIC SLE-G5-LES15	19.0 X 19.0			2213254-1 2213254-2	<b>2213699-3</b> <b>1-2213699-3</b> <b>2-2213699-3</b> <b>3 2213699-3</b> <b>2316510-3</b> <b>1-2316510-3</b> <b>2-2316510-3</b> <b>3-2316510-3</b>	
TRIDONIC SLE-G5-LES17	19.0 X 19.0				<b>2213699-3</b> <b>1-2213699-3</b> <b>2-2213699-3</b> <b>3 2213699-3</b> <b>2316510-3</b> <b>1-2316510-3</b> <b>2-2316510-3</b> <b>3-2316510-3</b>	
TRIDONIC SLE-G6-LES10	13.5 X 13.5	<b>2213678-5</b> <b>2213678-6</b>				2-2154857-1 (2 PC) 6-2154874-1 (1 PC)
TRIDONIC SLE-G6-LES15	19.0 X 19.0			<b>2213254-1</b> <b>2213254-2</b>		
TRIDONIC SLE-G6-LES17	19.0 X 19.0			<b>2213254-1</b> <b>2213254-2</b>		2-2154857-1 (2 PC) 6-2154874-2 (1 PC)
TRIDONIC SLE-G6-SNC	19.0 X 19.0		<b>2325807-2,</b> <b>1-2325807-2</b>			
TRIDONIC G6 LES 10 ADV	13.5 X 13.5	<b>2213678-5</b> <b>2213678-6</b>				2-2154857-1 (2 PC) 6-2154874-1 (1 PC)
TRIDONIC G6 LES 15 SNC/ADV	19.0 X 19.0			<b>2213254-1</b> <b>2213254-2</b>		2-2154857-1 (2 PC) 6-2154874-2 (1 PC)
TRIDONIC G6 LES 17 SNC/ADV/EXC	19.0 X 19.0			<b>2213254-1</b> <b>2213254-2</b>		2-2154857-1 (2 PC) 6-2154874-2 (1 PC)
TRIDONIC SLE-G7-LES9	13.5 X 13.5	<b>2213678-5</b> <b>2213678-6</b>				
TRIDONIC SLE-G7-LES13	19.0 X 19.0		<b>2325807-2,</b> <b>1-2325807-2</b>	2213254-1 2213254-2		
TRIDONIC SLE-G7-LES15	19.0 X 19.0		<b>2325807-2,</b> <b>1-2325807-2</b>	2213254-1 2213254-2		

(1) Customer to verify electrical compatibility with CoB. Refer to product specific Application Specification 114-133082 for parameters such as input power, thermal management and output currents.