

UM10876

NHS31xx User manual

Rev. 1 — 30 November 2016

User manual

Document information

Info	Content
Keywords	ARM Cortex-M0+, NHS3100, NHS3152, NHS3153, Cold chain, Temperature, Temperature logging, Drug adherence, Therapy adherence, NFC
Abstract	User manual for the NHS31xx family of wired or wireless sensor node ICs



Revision history

Rev	Date	Description
1	20161130	Initial version

Contact information

For more information, please visit: <http://www.nxp.com>

For sales office addresses, please send an email to: salesaddresses@nxp.com

1. Introductory information

1.1 Introduction

The NHS31xx are a family of ICs optimized for monitoring and logging. With their embedded NFC interface, internal temperature sensor and direct battery connection, they support effective system solutions with a minimal number of external components.

The embedded ARM Cortex-M0+ offers flexibility to the users of these ICs to implement their own dedicated solution. The NHS31xx family contains multiple features, like a selectable CPU frequency of up to 8 MHz and various power-down modes for ultra-low-power consumption.

Users can program this NHS31xx family with the industry-wide standard solutions for ARM Cortex-M0+ processors.

Peripheral components include an ultra-low-power RTC, I²C-bus interface, SPI interface with SSP features, NFC wireless interface and up to 12 general-purpose I/O pins.

Depending on the chip variant, other features include a temperature sensor, specific interfaces for capacitive, resistive and current measurements, and a 12-bit ADC/DAC. There are also specific analog interfaces for interfacing with photodiodes and LEDs.

1.2 Attributes

Note: not all features are available in all family members.

- System:
 - ARM Cortex-M0+ processor, running at frequencies of up to 8 MHz
 - ARM Cortex-M0+ built-in Nested Vectored Interrupt Controller (NVIC)
 - ARM Serial Wire Debug (SWD)
 - System tick timer
 - Fast (single-cycle) multiplier
 - Support for wake-up interrupt controller
 - Vector Table remapping possible
 - IC reset input
- Debug options:
 - Serial Wire Debug with two watchpoint comparators and four breakpoint comparators
 - Halting debug
- Memory:
 - 32 kB on-chip flash programming memory
 - 4 kB on-chip EEPROM of which 256 bytes can be write protected
 - 8 kB SRAM
- Analog peripherals available, depending on variant:
 - Temperature sensor with ± 0.3 °C absolute temperature accuracy between 0 °C and 40 °C, and ± 0.5 °C in the range –40 °C to +85 °C

- Capacitance-to-digital converter
- Current-to-digital converter
- SAR ADC
- DAC for generating external biasing voltages
- 8-bit 20 mA current DAC on 4 pins
- Flexible analog on-chip switch:
 - Each of the 6 analog I/O pins can be dynamically connected to the on-chip converters.
 - Measuring 6 voltages connected to the 6 analog pins is possible using time-division multiplexing
- Digital peripherals:
 - Up to 12 General-Purpose Input Output (GPIO) pins with configurable pull-up/pull-down resistors
 - GPIO pins that can be used as edge and level sensitive interrupt sources
 - High-current drivers/sinks (20 mA) on four pins
 - High-current drivers/sinks (20 mA) on two I²C-bus pins
 - Programmable watchdog timer (WDT)
- Communication interfaces:
 - NFC/RFID ISO 14443 type A interface
 - SPI controller with SSP features and with FIFO and multi-protocol capabilities
 - I²C-bus interface supporting full I²C-bus specification and Fast-mode with a data rate of 400 kbit/s with multiple address recognition and monitor mode
- Clock generation:
 - 8 MHz internal RC oscillator trimmed to 2 % accuracy that is used as the system clock
 - Timer oscillator operating at 32 kHz linked to On/Off Timer unit, driving the real-time clock timer
- Power control:
 - Supply voltage range: 1.72 V to 3.6 V
 - Passive powering via NFC field possible
 - Integrated Power Management Unit (PMU) for fine-grained control of power consumption
 - Four reduced power modes: Sleep, Deep-sleep, Deep power-down and Battery-off
 - Power gating for each analog peripheral for ultra-low-power operation
 - < 50 nA current consumption with battery power switch open
 - Power-On Reset (POR)
- Unique device serial number for identification
- Wide operating temperature range
- Available in HVQFN24 and WLCSP25 package (see [Table 2](#)).

1.3 Device-dependent features

The following features are available, dependent on the chip variant:

Table 1. Feature overview

Variant	Function	ADC / DAC	RTC	NFC	Temp.	C2D	I2D	SPI
NHS3100	temperature Logger	-	yes	yes	yes	-	-	yes
NHS3152	therapy adherence monitor - resistive	yes	yes	yes	yes	-	yes	yes
NHS3153	therapy adherence monitor - capacitive	-	yes	yes	yes	yes	-	yes

1.4 Ordering information

Table 2. Ordering Information

Type number	Package		
	Name	Description	Version
NHS3100	HVQFN24	plastic thermal enhanced very thin quad flat package; no leads; 24 terminals; body 4 × 4 × 0.85 mm	SOT616-3
NHS3100UK	WLCSP25	wafer level chip scale package; 25 balls; 2.51 × 2.51 × 0.5 mm	SOT1401-1
NHS3152	HVQFN24	plastic thermal enhanced very thin quad flat package; no leads; 24 terminals; body 4 × 4 × 0.85 mm	SOT616-3
NHS3152UK	WLCSP25	wafer level chip scale package; 25 balls; 2.51 × 2.51 × 0.5 mm	SOT1401-1
NHS3153	HVQFN24	plastic thermal enhanced very thin quad flat package; no leads; 24 terminals; body 4 × 4 × 0.85 mm	SOT616-3
NHS3153UK	WLCSP25	wafer level chip scale package; 25 balls; 2.51 × 2.51 × 0.5 mm	SOT1401-1

1.5 Block diagrams
NHS3100 Temperature logger

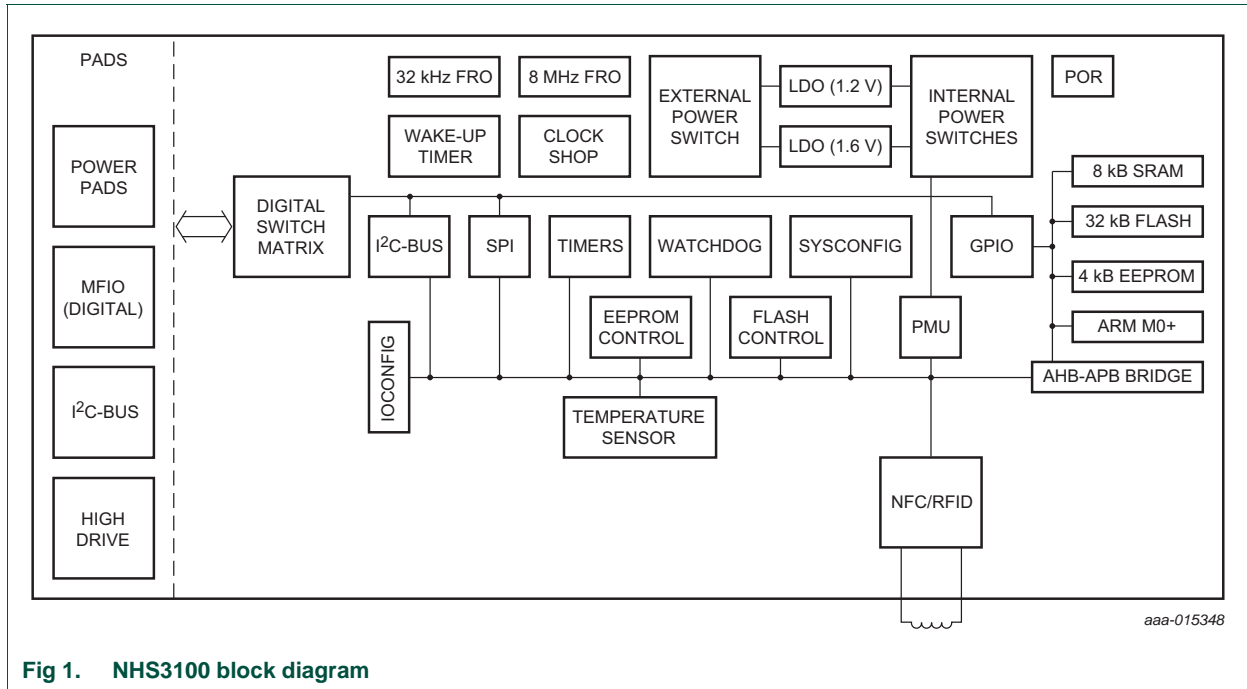


Fig 1. NHS3100 block diagram

NHS3152 for therapy adherence using resistive sensing

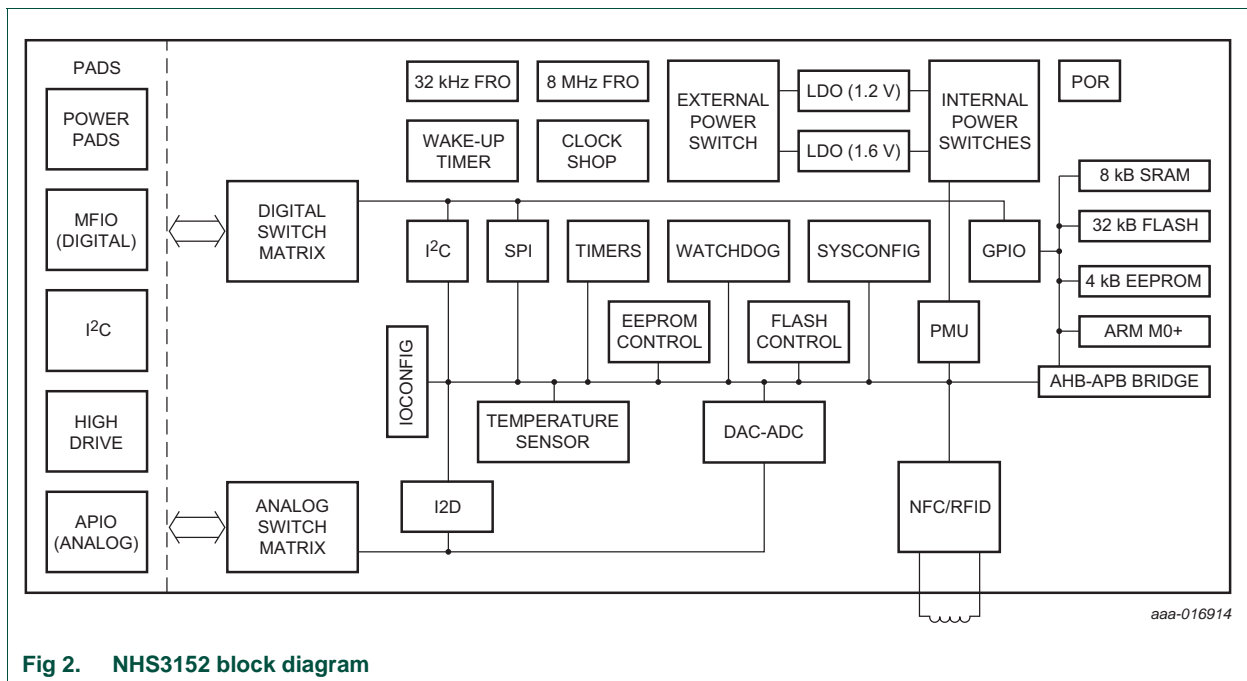


Fig 2. NHS3152 block diagram

NHS3153 for therapy adherence using capacitive sensing

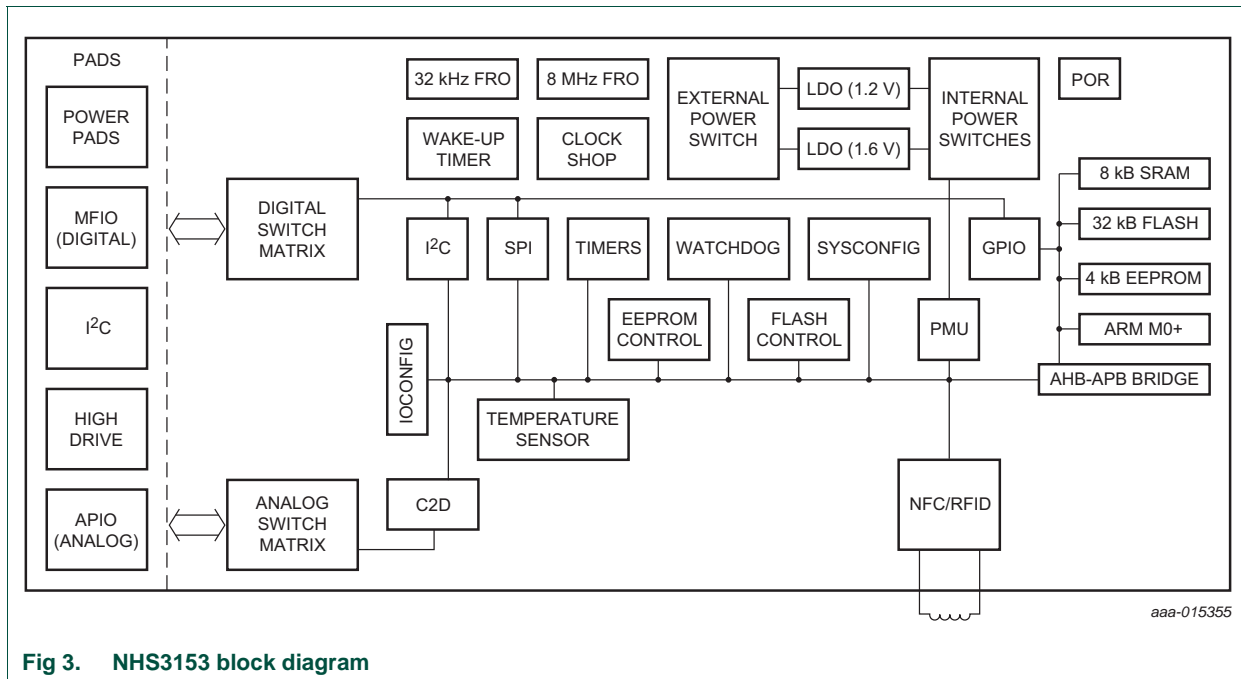


Fig 3. NHS3153 block diagram

1.6 ARM Cortex-M0+ core configuration

The ARM Cortex-M0+ core operates at frequencies up to 8 MHz. Integrated in the core are the NVIC and Serial Wire Debug with four breakpoints and two watch points. It supports a single-cycle I/O enabled port (IOP) for fast GPIO access.

The specific firmware loaded on the non-volatile memory of the device determines its behavior.

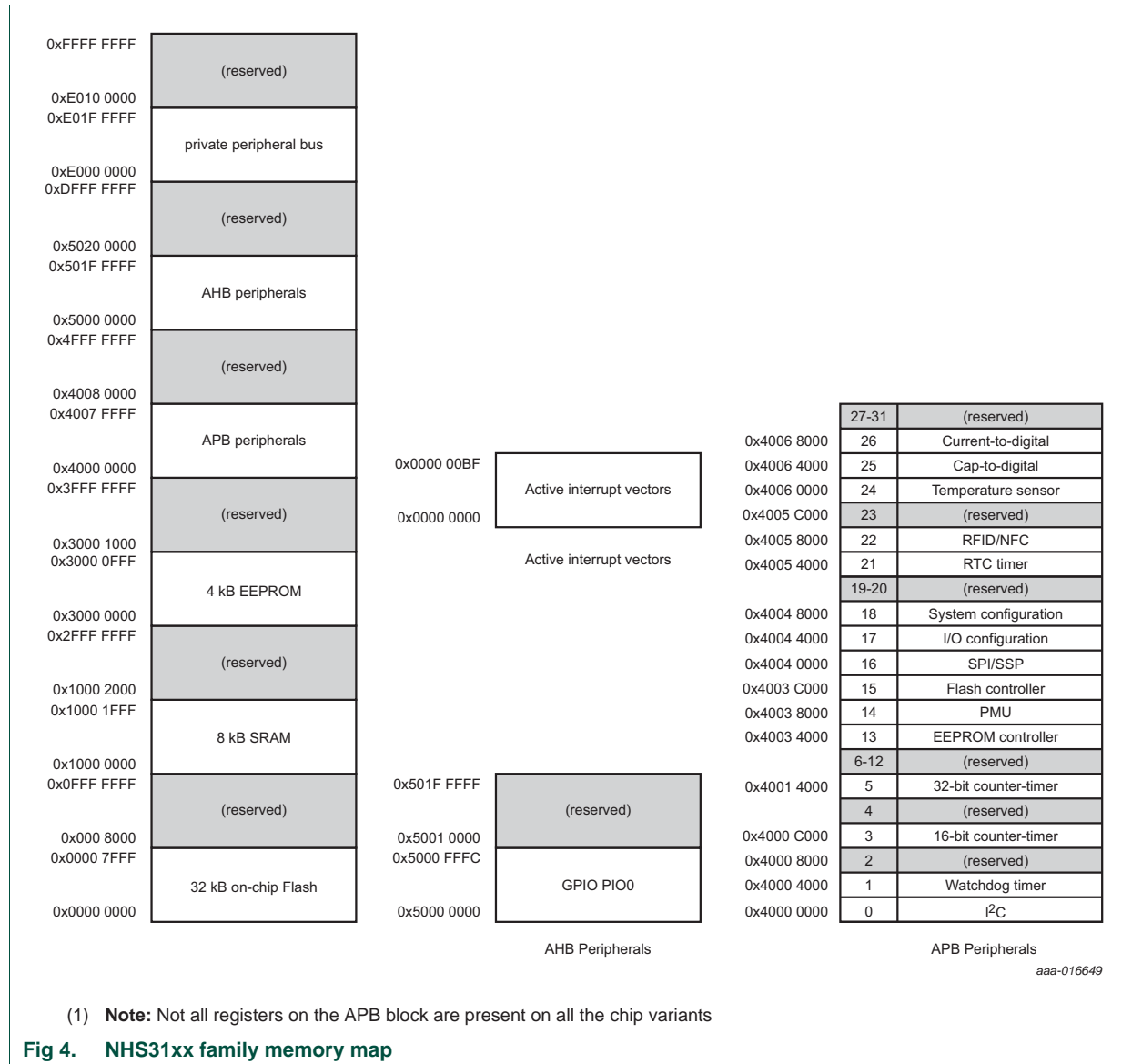
The ARM Cortex-M0+ processor is described in detail in [Ref. 3](#). For the NHS31xx family, the ARM Cortex-M0+ core is configured as follows:

- System options:
 - Nested Vectored Interrupt Controller (NVIC) which is included and supports up to 32 interrupts
 - Fast (single-cycle) multiplier
 - System tick timer
 - Support for wake-up interrupt controller
 - Vector Table remapping register
 - Reset all registers present
 - No memory protection unit
 - No single-cycle I/O port
 - Instruction fetch width, mostly 32-bit wide
 - Data endianness: little endian
- Debug options
 - Serial Wire Debug is included with two watchpoint comparators and four breakpoint comparators
 - Halting debug is supported

1.7 Memory map

[Figure 4](#) shows the memory and peripheral address space.

Peripheral accesses can only be done as 32-bit accesses on addresses divisible by 4. An implication of this is that word and halfword registers must be accessed at the same time. For example, it is not possible to read or write the upper bytes of a word register separately.



1.7.1 Memories

1.7.1.1 SRAM (0x1000 0000 to 0x1000 1FFF)

The NHS31xx contains a total of 8 kB on-chip static RAM memory configured as 256 × 2 × 4 × 32 bit. The SRAM supports byte-level access (BWE=8).

1.7.1.2 Flash (0x0000 0000 to 0x0000 7FFF)

The NHS31xx contains a 32 kB Flash memory of which 30 kB can be used as program and data memory.

The flash is organized in 32 sectors of 1 kB. Each sector consists of 16 rows of 16 × 32-bit words.

1.7.1.3 EEPROM (0x3000 0000 to 0x3000 0FFF)

The NHS31xx contains a 4 kB EEPROM. This EEPROM is organized in 64 rows of 32×16 -bit words. Of these rows, the last four contain calibration and test data and are locked. This data is either used by the boot loader after reset, or made accessible to the application via firmware API.

2. Product feature overview

2.1 About this chapter

NHS31xx is available in several different variants to suit different applications. This chapter gives an overview of the principle components of each variant.

2.2 General description

All ICs share flexibility, standard adherence and ultra-low-power features:

- The embedded ARM Cortex-M0+ offers flexibility and processing power to the users of this IC. It enables them to implement their own dedicated solution, including decision making on the IC itself. The ICs contain multiple features including various power-down modes and a selectable CPU frequency up to 8 MHz for ultra-low-power consumption.
- Users can program this IC via SWD using industry-wide standard solutions for ARM Cortex-M0+ processors, or via NFC and the freely provided NFC program downloader. **Note:** Programming via NFC can only be done once.

2.2.1 NHS3100 for cold chain monitoring and therapy adherence

The NHS3100 is an IC optimized for temperature monitoring and logging. The embedded NFC interface, allows fully NFC-forum standards-compliant communication, internal temperature sensing and direct battery connection. It supports an effective system solution with a minimal of external components.

2.2.2 NHS3152 for therapy adherence using resistive sensing

The NHS3152 is an IC optimized for realizing therapy adherence monitoring and logging solutions. The embedded NFC interface allows fully NFC-forum standards-compliant communication, a resistive network sensing interface, an internal temperature sensor and direct battery connection. The NHS3152 enables the making of an effective system solution, supporting a single layer foil implementation, for pill usage monitoring. The NHS3152 works either battery-powered or NFC-powered.

2.2.3 NHS3153 for therapy adherence using capacitive sensing

The NHS3153 is an IC optimized for realizing therapy adherence monitoring and logging solutions. The embedded NFC interface allows fully NFC-forum standards-compliant communication, a capacitive network sensing interface, an internal temperature sensor and direct battery connection. The NHS3153 allows the creation of an effective system solution, supporting a single layer foil implementation, for pill usage monitoring. The NHS3153 works either battery-powered or NFC-powered.

3. Pinning

3.1 About this chapter

This chapter describes the pin layout and functions of the NHS31xx family in the HVQFN24 and WLCSP25 packages.

3.2 Pinning

The pin functionality depends on the particular configuration of the chip and is customer or application dependent. Pin functions are software-assigned through the IOCON configuration registers (see [Section 24](#)). The pinning of the packages is shown below.

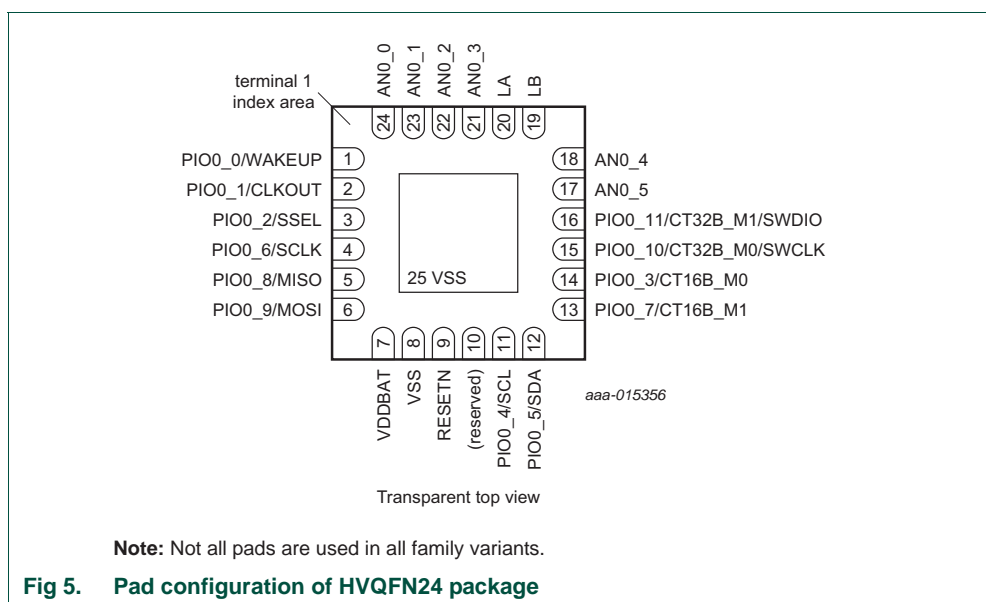


Table 3. Pad allocation table of the HVQFN24 package

Pad	Symbol	Pad	Symbol
1	PIO0_0/WAKEUP	13 ^[1]	PIO0_7/CT16B_M1
2	PIO0_1/CLKOUT	14 ^[1]	PIO0_3/CT16B_M0
3	PIO0_2/SSEL	15 ^[1]	PIO0_10/CT32B_M0/SWCLK
4	PIO0_6/SCLK	16 ^[1]	PIO0_11/CT32B_M1/SWDIO
5	PIO0_8/MISO	17 ^[2]	AN0_5
6	PIO0_9/MOSI	18 ^[2]	AN0_4
7	VDDBAT	19	LB
8	VSS	20	LA
9	RESETN	21 ^[2]	AN0_3
10	(reserved)	22 ^[2]	AN0_2
11	PIO0_4/SCL	23 ^[2]	AN0_1
12	PIO0_5/IDA	24 ^[2]	AN0_0

[1] High source current pads. See [Section 24.2.4](#).

[2] Only used in variants with analog I/O. In other variants, they can be tied to ground.

Table 4. Pad description of the HVQFN24 package

Pad	Symbol	Type	Description
Supply			
7	VDDBAT	supply	positive supply voltage
8	VSS	supply	ground
GPIO^[1]			
1	PIO0_0	I/O	GPIO
	WAKEUP	I	Deep power-down mode wake-up pad ^[2]
2	PIO0_1	I/O	GPIO
	CLKOUT	O	clock output
3	PIO0_2	I/O	GPIO
	SSEL	I	SPI/SSP SSEL select line
14	PIO0_3	I/O	GPIO
	CT16B_M0	O	16-bit timer match output 0
11	PIO0_4	I/O	GPIO ^[3]
	SCL	I/O	I ² C SCL clock line
12	PIO0_5	I/O	GPIO ^[3]
	SDA	I/O	I ² C SDA data line
4	PIO0_6	I/O	GPIO
	SCLK	I/O	SPI/SSP serial clock line
13	PIO0_7	I/O	GPIO
	CT16B_M1	O	16-bit timer match output 1
5	PIO0_8	I/O	GPIO
	MISO	O	SPI/SSP master-in slave-out line
6	PIO0_9	I/O	GPIO
	MOSI	I	SPI/SSP master-out slave-in line
15	PIO0_10	I/O	GPIO
	CT32B_M0	O	32-bit timer match output 0
	SWCLK	I	ARM SWD clock
16	PIO0_11	I/O	GPIO
	CT32B_M1	O	32-bit timer match output 1
	SWDIO	I/O	ARM SWD I/O
Analog I/O^{[4][5]}			
24	AN0_0	A	to AN0_BUS0
23	AN0_1	A	to AN0_BUS1
22	AN0_2	A	to AN0_BUS2
21	AN0_3	A	to AN0_BUS3
18	AN0_4	A	to AN0_BUS4
17	AN0_5	A	to AN0_BUS5
Radio			
20	LA	A	NFC antenna/coil terminal A

Table 4. Pad description of the HVQFN24 package *_continued*

Pad	Symbol	Type	Description
19	LB	A	NFC antenna/coil terminal B
Reset			
9	RESETN	I	external reset input ^[6]

- [1] The GPIO port is a 12-bit I/O port with individual direction and function controls for each bit. The operation of port 0 pads depends on the function selected through the IOCONFIG register block.
- [2] If external wake-up is enabled on this pad, it must be pulled HIGH before entering Deep power-down mode. It must be pulled LOW for a minimum of 100 μ s to exit Deep power-down mode.
- [3] Open drain, no pull-up or pull down.
- [4] The analog port is a 6-input analog I/O port with enable control for each pad.
- [5] Only used in variants with Analog I/O. In other variants, they can be tied to ground.
- [6] A LOW on this pad resets the device. This reset causes I/O ports and peripherals to take on their default states, and processor execution to begin at address 0. It has weak pull-up to V_{BAT} or internal NFC voltage (whichever is highest).

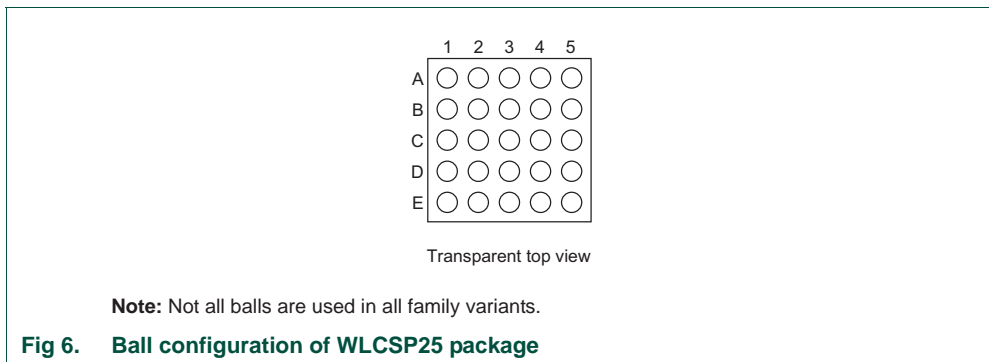


Table 5. Ball allocation table of the WLCSP25 package

Ball	Symbol	Ball	Symbol
A1	VDDBAT	C4 ^[1]	PIO0_7/CT16B_M1
A2	VSS	C5 ^[1]	PIO0_11/CT32B_M1/SWDIO
A3	RESETN	D1	PIO0_0/WAKEUP
A4	PIO0_4/SCL	D2	PIO0_1/CLKOUT
A5	PIO0_5/SDA	D3 ^[2]	AN0_2
B1	PIO0_8/MISO	D4 ^[2]	AN0_4
B2	PIO0_9/MOSI	D5 ^[2]	AN0_5
B3	(reserved)	E1 ^[2]	AN0_0
B4 ^[1]	PIO0_3/CT16B_M0	E2 ^[2]	AN0_1
B5 ^[1]	PIO0_10/CT32B_M0/SWCLK	E3 ^[2]	AN0_3
C1	PIO0_2/SSEL	E4	LA
C2	PIO0_6/SCLK	E5	LB
C3	VSS	-	-

[1] High source current balls. See [Section 24.2.4](#).

[2] Only used in variants with Analog I/O. In other variants, they can be tied to ground.

Table 6. Ball description of WLCSP25 package

Ball	Symbol	Type	Description
Supply			
A1	VDDBAT	supply	positive supply voltage
A2	VSS	supply	ground
GPIO^[1]			
D1	PIO0_0	I/O	GPIO
	WAKEUP	I	Deep power-down mode wake-up ball ^[2]
D2	PIO0_1	I/O	GPIO
	CLKOUT	O	clock output
C1	PIO0_2	I/O	GPIO
	SSEL	I	SPI/SSP SSEL select line
B4	PIO0_3	I/O	GPIO
	CT16B_M0	O	16-bit timer match output 0
A4	PIO0_4	I/O	GPIO ^[3]
	SCL	I/O	I ² C SCL clock line
A5	PIO0_5	I/O	GPIO ^[3]
	SDA	I/O	I ² C SDA data line
C2	PIO0_6	I/O	GPIO
	SCLK	I/O	SPI/SSP serial clock line
C4	PIO0_7	I/O	GPIO
	CT16B_M1	O	16-bit timer match output 1
B1	PIO0_8	I/O	GPIO
	MISO	O	SPI/SSP master-in slave-out line
B2	PIO0_9	I/O	GPIO
	MOSI	I	SPI/SSP master-out slave-in line
B5	PIO0_10	I/O	GPIO
	CT32B_M0	O	32-bit timer match output 0
	SWCLK	I	ARM SWD clock
C5	PIO0_11	I/O	GPIO
	CT32B_M1	O	32-bit timer match output 1
	SWDIO	I/O	ARM SWD I/O
Analog I/O^{[4][5]}			
E1	AN0_0	A	to AN0_BUS0
E2	AN0_1	A	to AN0_BUS1
D3	AN0_2	A	to AN0_BUS2
E3	AN0_3	A	to AN0_BUS3
D4	AN0_4	A	to AN0_BUS4
D5	AN0_5	A	to AN0_BUS5
Radio			
E4	LA	A	NFC antenna/coil terminal A

Table 6. Ball description of WLCSP25 package *_continued*

Ball	Symbol	Type	Description
E5	LB	A	NFC antenna/coil terminal B
Reset			
A3	RESETN	I	external reset input ^[6]

- [1] The GPIO port is a 12-bit I/O port with individual direction and function controls for each bit. The operation of port 0 balls depends on the function selected through the IOCONFIG register block.
- [2] If external wake-up is enabled on this ball, it must be pulled HIGH before entering Deep power-down mode. It must be pulled LOW for a minimum of 100 μ s to exit Deep power-down mode.
- [3] Open drain, no pull-up or pull down.
- [4] The analog port is a 6-input analog I/O port with enable control for each pad.
- [5] Only used in variants with Analog I/O. In other variants, they can be tied to ground.
- [6] A LOW on this ball resets the device. This reset causes I/O ports and peripherals to take on their default states, and processor execution to begin at address 0. It has weak pull-up to V_{BAT} or internal NFC voltage (whichever is highest).

4. System configuration (SYSCON)

4.1 General description

The system configuration block is at APB 0x4004 8000. It controls oscillators, start logic, and clock generation of the NHS31xx. It contains registers controlling power on/off of the peripherals and a register to remap the ARM vector table to a selectable location in Flash or SRAM.

4.2 Clock generation

The NHS31xx clock generator unit (CGU) includes two independent RC oscillators. These oscillators are the System Free-Running Oscillator (SFRO) and the Timer Free-Running Oscillator (TFRO).

The SFRO is a current-controlled oscillator and runs at 8 MHz. The system clock is derived from it. The system clock can be set to 8 MHz, 4 MHz, 2 MHz, 1 MHz, 500 kHz, 250 kHz, 125 kHz or 62.5 kHz with the SYSCLKCTRL system configuration register (see [Table 10](#)). The default system clock operating frequency is 500 kHz to minimize dynamic current consumption during the boot cycle. **Note:** some features are not available when using the lower clock speeds.

The TFRO runs at 32.768 kHz and is the clock source for the Real-Time Clock (RTC) unit and the power management unit. The TMRCLKCTRL configuration register similarly controls it.

Following reset, the NHS31xx starts operating from the SFRO at the default 500 kHz clock frequency. The user can change the system clock frequency by setting the SYSCLKSEL. The SFRO cannot be disabled.

The SYSAHBCLKCTRL register gates the system clock to the various peripherals and memories. The SPI unit has an individual clock divider to derive the serial clock from the SFRO. The watchdog timer unit also has an individual clock divider.

The analog parts of the analog-to-digital converters receive a fixed clock frequency, irrespective of the system clock divider settings. The digital part uses the APB clock. The analog part of the temperature sensor receives 2 MHz, the ADC/DAC receives 8 MHz, and the other peripherals 1 MHz.

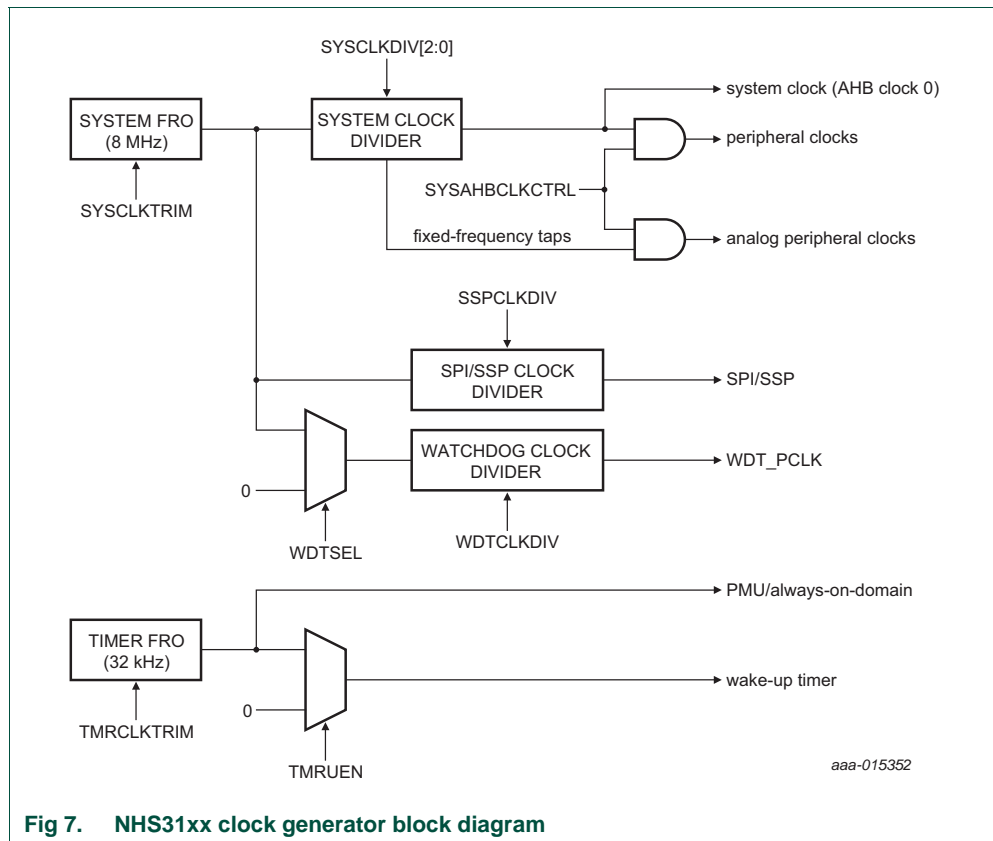


Fig 7. NHS31xx clock generator block diagram

4.3 System FRO clock specifications

The SFRO provides the main system clock for the NHS31xx. The system clock is enabled by default and cannot be disabled.

4.3.1 SFRO trimming

The 8 MHz SFRO is trimmed by setting the SYCLKTRIM bits in the SYCLKCTRL register. Trimming changes the internal biasing current regulating the oscillation frequency. 1 LSB of SYCLKTRIM corresponds to approximately $\pm 0.65\%$ change in oscillation frequency.

4.4 Timer FRO clock specifications

The TFRO provides a 32.768 kHz signal to the Real Time Clock (RTC) unit.

4.5 Register description overview

All registers, regardless of size, are on addresses divisible by 4. Details of the registers appear in the description of each function.

See [Section 19.5](#) for the flash access timing register. This register can be reconfigured as part of the system setup. Also see [Section 18.4](#) for the EEPROM.

Table 7. Register overview system configuration control block - SYSCON (base address 0x4004 8000)

Name	Access	Address offset	Description	Reset value	Reference
SYSMEMREMAP	R/W	0x000	system memory remap	0x0000 0000	Table 8
PRESETCTRL	R/W	0x004	peripheral reset control	0x0000 0000	Table 9
-	-	0x008 - 0x01C	(reserved)	-	-
SYSCCLKCTRL	R/W	0x020	system clock control register	0x0002 0008	Table 10
SYSCCLKUEN	R/W	0x024	system clock update enable	0x0000 0000	Table 12
-	-	0x028 - 0x02C	(reserved)	-	-
SYSRSTSTAT	R/W	0x030	system reset status register	0x0000 0000	Table 13
-	-	0x034 - 0x078	(reserved)	-	-
SYSAHBCLKCTRL	R/W	0x080	AHB clock control	0x0001 C007	Table 14
-	-	0x084 - 0x090	(reserved)	-	-
SSPCLKDIV	R/W	0x094	SPI/SSP clock divider	0x0000 0000	Table 15
-	-	0x098 - 0x0CC	(reserved)	-	-
WDTCLKSEL	R/W	0x0D0	watchdog timer clock selector	0x0000 0000	Table 16
WDTCLKUEN	R/W	0x0D4	watchdog timer clock update enable	0x0000 0000	Table 17
WDTCLKDIV	R/W	0x0D8	watchdog timer clock divider	0x0000 0000	Table 18
-	-	0x0DC - 0x0E4	(reserved)	-	-
CLKOUTEN	R/W	0x0E8	CLKOUT enable	0x0000 0000	Table 19
-	-	0x0EC - 0x150	(reserved)	-	-
SYSTCKCAL	R/W	0x154	system tick counter calibration	0x0000 0004	Table 20
-	-	0x210 - 0x230	(reserved)	-	-
STARTAPRP0	R/W	0x200	start logic edge control register 0	0x0000 0000	Table 21
STARTERP0	R/W	0x204	start logic signal enable register 0	0x0000 0000	Table 22
STARTSRP0CLR	R/W	0x204	start logic reset register 0	0x0000 0000	Table 23
STARTSRP0	R	0x20C	start logic status register 0	0x0000 0000	Table 24
-	-	0x210 - 0x230	(reserved)	-	-
PDAWAKECFG	R/W	0x234	Flash address mapping after wake-up from Deep-sleep mode	0x0000 0000	Table 25
PDRUNCFG	R/W	0x238	power-down configuration register	0x0000 003E	Table 26
-	-	0x23C - 0x3EC	(reserved)	-	-
DEVICE_ID	R	0x3F4	-	-	Table 27

4.5.1 System memory remap register (SYSMEMREMAP)

The system memory remap register contains the addresses of the ARM interrupt vectors. Valid addresses are on 1024 byte boundaries in Flash or SRAM. The first 192 addresses (0 to 191) are remapped to the locations indicated below.

Table 8. SYSMEMREMAP register (address 0x4004 8000) bit description

Bit	Symbol	Value	Description	After boot
0	map	-	interrupt vector remap	0
		0	interrupt vectors reside in Flash	
		1	interrupt vectors reside in SRAM	
5:1	offset	-	system memory remap offset	00000b
		00000b	interrupt vectors in flash or remapped to SRAM but not offset	
		00001b - 00111b	interrupt vectors offset in flash or SRAM to 1 K word segment	
		01000b - 11111b	interrupt vectors offset in flash to 1 K word segment 8 to 31	
31:6	-	-	(reserved)	0

4.5.2 Peripheral reset control register (PRESETCTRL)

This register allows software to reset some peripherals. Writing a logic 0 to the bits resets the corresponding peripheral. Writing a logic 1 de-asserts the reset.

Remark: Before accessing the SPI and I²C peripherals, write a logic 1 to this register. This action ensures that the reset signals to the SPI and I²C are de-asserted.

Table 9. PRESETCTRL register (address 0x4004 8004) bit description

Bit	Symbol	Value	Description	After boot
0	SSP_RST_N	-	SPI/SSP reset control	0
		0	resets the SPI peripheral	
		1	SPI reset de-asserted	
1	I2C_RST_N	-	I ² C-bus reset control	0
		0	resets the I ² C-bus peripheral	
		1	I ² C-bus reset de-asserted	
2	EE_RST_N	-	EEPROM NVMC reset control	1
		0	resets the EEPROM NVMC controller	
		1	reset de-asserted	
3	NFC_RST_N	-	NFC shared memory reset control	1
		0	resets the NFC shared memory	
		1	reset de-asserted	
31:4	-	-	(reserved)	0

4.5.3 System clock control register (SYSCLKCTRL)

The system clock control register controls the analog part of the internal 8 MHz oscillator as well as the system clock divider.

For changes to the system clock divider to take effect, first write a logic 0 to the SYSCLKUEN register, then write a logic 1 to SYSCLKUEN.

Table 10. SYSCLKCTRL register (address 0x4004 8020) bit description

Bit	Symbol	Value	Description	After boot
0	-	-	(reserved - do not write to this bit)	0
3:1	SYSCLKDIV	-	system clock divider	100b
		000b	no division (system clock set to 8 MHz)	
		001b	divide-by-2 (system clock set to 4 MHz)	
		010b	divide-by-4 (system clock set to 2 MHz)	
		011b	divide-by-8 (system clock set to 1 MHz)	
		100b	divide-by-16 (system clock set to 500 kHz)	
		101b	divide-by-32 (system clock set to 250 kHz)	
		110b	divide-by-64 (system clock set to 125 kHz)	
		111b	divide-by-128 (system clock set to 62.5 kHz)	
15:4	-	-	(reserved)	-
21:16	SYSCLKTRIM	-	SFRO trim value (6-bit)	device dependent
31:22	-	-	(reserved)	-

[Table 11](#) shows the impact on the system of the clock frequency choices.

Table 11. Impact of different clock frequency settings

Setting	Frequency	Impact on system behavior
000b	8 MHz	1. I ² C-bus: Standard and Fast mode possible
		2. flash: LPM requires 1 additional wait state, no wait state needed in High-power mode
		3. EEPROM: set EECLKDIV = 21
001b	4 MHz	1. I ² C-bus: Standard mode only
		2. flash: no wait-states needed
		3. EEPROM: EECLKDIV = 10
010b	2 MHz	1. I ² C-bus: Standard mode only
		2. flash: no wait-states needed
		3. EEPROM: EECLKDIV = 5
011b	1 MHz	1. I ² C-bus: Standard mode only
		2. flash: no wait-states needed
		3. EEPROM: EECLKDIV = 2
100b	500 kHz	1. I ² C-bus: not supported
		2. flash: no wait-states needed
		3. EEPROM: EECLKDIV = 1
101b	250 kHz	1. I ² C-bus: not supported
		2. flash: no wait-states needed
		3. EEPROM: program/erase not supported

Table 11. Impact of different clock frequency settings *_continued*

Setting	Frequency	Impact on system behavior	
110b	125 kHz	1.	I ² C: not supported
		2.	flash: no wait-states needed
		3.	EEPROM: program/erase not supported
111b	62.5 kHz	1.	I ² C: not supported
		2.	flash: no wait-states needed
		3.	EEPROM: program/erase not supported

4.5.4 System clock update enable register (SYSCLKUEN)

This register updates the clock source of the system with the new input clock after the SYSCLKCTRL register has been written to. For the update to take effect, first write a logic 0 to the SYSCLKUEN register and then write a logic 1 to SYSCLKUEN.

Table 12. SYSCLKUEN register (address 0x4004 8024) bit description

Bit	Symbol	Value	Description	Reset value
0	ENA	-	enable system clock source update	0
		0	no update	
		1	update clock source and clock divisor	
31:1	-	-	(reserved)	0

4.5.5 System reset status register (SYSRSTSTAT)

The SYSRSTSTAT register shows the source of the latest reset event. The bits are cleared by writing a value to the register. The POR event clears all other bits in this register. However, if another reset signal - for example EXTRST - remains asserted after the POR signal is negated, then its bit is set to detected.

Table 13. SYSRSTSTAT register (address 0x4004 8030) bit description

Bit	Symbol	Value	Description	Reset value
0	POR [1]	-	POR reset status	0
		0	no POR detected	
		1	POR detected	
1	EXTRST [1]	-	status of external RESETN pin	0
		0	no RESETN event detected	
		1	external reset detected	
2	WDT [2]	-	status of the Watchdog reset	0
		0	no WDT reset detected	
		1	WDT reset detected	
3	SYSRST [3]	-	status of software system reset (ARM AIRCR register SYSRESETREQ bit was set)	0
		0	no software reset detected	
		1	software reset detected	
31:4	-	-	(reserved)	-

[1] POR and EXTRST trigger full system reset.

[2] If the debugger is not active, then WDT triggers full system reset.

[3] SYSRST triggers a reset of the ARM core (the peripheral registers are not reset).

4.5.6 AHB clock control register

The SYSAHBCLKCTRL register enables the clocks to individual system and peripheral blocks. The system clock provides the clock for the AHB to APB bridge, the AHB matrix, the ARM Cortex-M0+, the SYSCON block, and the PMU. This clock cannot be disabled.

Table 14. SYSAHBCLKCTRL register (address 0x4004 8080) bit description

Bit	Symbol	Value	Description	Reset value
0	-	1	(reserved)	1
1	-	-	(reserved)	-
2	RAM	-	enable clock for RAM	1
		0	disable	
		1	enable	
4:3	FLASHREG / FLASHARRAY	-	enable clock for Flash register interface and array access	0b11
		0b00	disable	
		0b01	enable	
		0b10	enable	
		0b11	enable	
5	I2C	-	enable clock for I ² C-bus	0
		0	disable	
		1	enable	
6	GPIO	-	enable clock for GPIO	0
		0	disable	
		1	enable	
7	SPISSP	-	enable clock for SPI/SSP	0
		0	disable	
		1	enable	
8	CT16B	-	enable clock for 16-bit timer	0
		0	disable	
		1	enable	
9	CT32B	-	enable clock for 32-bit timer	0
		0	disable	
		1	enable	
10	RTC	-	enable clock for RTC (APB side only, TFRO directly clocks the timer unit, as set by TMRCLKCTRL register).	0
		0	disable	
		1	enable	
11	WDT	-	enable clock for watchdog timer	0
		0	disable	
		1	enable	

Table 14. SYSAHBCLKCTRL register (address 0x4004 8080) bit description *_continued*

Bit	Symbol	Value	Description	Reset value
12	TSEN	-	enable clock for temperature sensor	0
		0	disable	
		1	enable	
13	C2D	-	enable clock for Capacitance-to-Digital converter	0
		0	disable	
		1	enable	
14	-	-	(reserved)	
15	I2D	-	enable clock for Current-to-Digital converter	0
		0	disable	
		1	enable	
16	ADC/DAC	-	enable clock for ADC/DAC converter	0
		0	disable	
		1	enable	
17	-	-	(reserved)	
18	IOCON	-	enable clock for I/O configuration block	1
		0	disable	
		1	enable	
20:19	EEREG / EEARRAY	-	enable clock for EEPROM register interface and array access	0b11
		0b00	disable	
		0b01	enable	
		0b10	enable	
		0b11	enable	
31:21	-	-	(reserved)	0

4.5.7 SPI/SSP clock divider control register (SSPCLKDIV)

This register configures the SPI peripheral clock SPI_PCLK. The SPI_PCLK can be shut down by setting the DIV bits to logic 0.

Table 15. SSPCLKDIV register (address 0x4004 8094) bit description

Bit	Symbol	Value	Description	Reset value
7:0	DIV	-	SPI_CLK clock divider values: (0) disable, (1) equal to SFRO frequency (even 2-254) divide-by-DIV	0
31:8	-	-	(reserved)	0

4.5.8 Watchdog timer clock source selection register (WDTCLKSEL)

This register selects the clock source for the watchdog timer. The WDTCLKUEN register must be toggled from logic 0 to logic 1 for the update to take effect.

Table 16. WDTCLKSEL register (address 0x4004 80D0) bit description

Bit	Symbol	Value	Description	Reset value
1:0	SEL	-	WDT clock source	0
		0x0	system FRO	
		0x1	(reserved)	
		0x2	disabled	
		0x3	(reserved)	
31:2	-	-	(reserved)	0

4.5.9 Watchdog timer clock update enable register (WDTCLKUEN)

This register updates the clock source of the watchdog timer with the new input source after the WDTCLKSEL register has been written to. In order for the update to take effect at the input of the watchdog timer, the following procedure must be applied:

1. Write a logic 0 to the WDTCLKUEN register
2. Write a logic 1 to WDTCLKUEN to preset the value
3. Write a logic 0 again to apply the value

The 0-1-0 pulse length should be longer than the period of the actual and selected clock sources.

Table 17. WDTCLKUEN register (address 0x4004 80D4) bit description

Bit	Symbol	Value	Description	Reset value
0	ENA	-	enable WDT clock source update	0
		0	no update	
		1	update clock source	
31:1	-	-	(reserved)	0

4.5.10 Watchdog timer clock divider register (WDTCLKDIV)

This register determines the divider values for the watchdog clock `wdt_clk`. For the update to take effect at the input of the watchdog timer, a 1-0-1 sequence has to be written to register WDTCLKEN. See [Section 4.5.9](#)

When the division factor is set to 0, the WDT_CLK is disabled. Apart from 1, only even division factors can be used.

Table 18. WDTCLKDIV register (address 0x4004 80D8) bit description

Bit	Symbol	Value	Description	Reset value
7:0	DIV	1	WDT clock divider values: (0) disable WDT_PCLK, (1) equal to SFRO frequency (even 2-254) divide-by-DIV	0
31:8	-	-	(reserved)	0

4.5.11 clock output enable register (CLKOUTEN)

This register enables output of the different clocks to the CLKOUT pin.

Table 19. CLKOUTEN register (address 0x4004 80E8) bit description

Bit	Symbol	Value	Description	Reset value
0	CLKOUTEN	0	disable output	0
		1	enable output	
2:1	CLKOUTSRC	00b	output SFRO (8 MHz)	0
		01b	output system clock (62.5 kHz - 8 MHz)	
		10b	output TFRO (32 kHz)	
		11b	output NFC clock (1.695 MHz) ^[1]	
31:3	-	-	(reserved)	0

[1] The NFC clock is only available if a 13.56 MHz signal is seen at the LA/LB inputs.

4.5.12 System tick counter calibration register (SYSTCKCAL)

This register determines the value of the SYST_CALIB register.

Table 20. SYSTCKCAL register (address 0x4004 8154) bit description

Bit	Symbol	Value	Description	Reset value
25:0	CAL	1	system tick timer calibration value	26'h0004
31:8	-	-	(reserved)	0

4.5.13 Start logic edge control register 0 (STARTAPRP0)

The STARTAPRP0 register controls the start logic inputs of the digital PIO ports (PIO0_0 to PIO0_10). This register selects a falling or rising edge on the corresponding PIO0 input trigger the start logic.

Every bit in the STARTAPRP0 register controls one port input and is connected to one wake-up interrupt in the NVIC. Bit 0 in the STARTAPRP0 register corresponds to interrupt 0, bit 1 to interrupt 1, etc. (see [Table 286](#)), up to a total of 11 interrupts.

Table 21. STARTAPRP0 register (address 0x4004 8200) bit description

Bit	Symbol	Value	Description	Reset value
10:0	APRPIO_n	-	edge select for start logic input PIO0_n (PIO0_10 to PIO0_0)	0
		0	falling edge (per bit)	
		1	rising edge	
31:11	-	-	(reserved)	0

4.5.14 Start logic signal enable register 0 (STARTERP0)

The STARTERP0 register enables or disables the start signal bits in the start logic. The bit assignment for bits 10:0 is identical to [Table 21](#). Bit 11 enables start on RFID, bit 12 enables start on wake-up timer.

Table 22. STARTERP0 register (address 0x4004 8204) bit description

Bit	Symbol	Value	Description	Reset value
10:0	ERPIO_n	-	enable start signal for start logic input PIO0_n (PIO0_10 to PIO0_0)	0
		0	disabled	
		1	enabled	
11	ERRFID	-	enable start signal for start logic input RFID	0
		0	disabled	
		1	enabled	
12	ERTMR	-	enable start signal for start logic input RTC timer	0
		0	disabled	
		1	enabled	
31:13	-	-	(reserved)	0

4.5.15 Start logic reset register 0 (STARTSRP0CLR)

Writing a one to a bit in the STARTSRP0CLR register resets the start logic state. The bit assignment is identical to [Table 30](#). The start-up logic uses the input signals to generate a clock edge for registering a start signal. This clock edge (falling or rising) sets the interrupt for waking up from Deep-sleep mode. Writing a value to the registers clears the conditions. After writing a logic 1 to the register, write a logic 0 to it to clear the list again.

Table 23. STARTSRP0CLR register (address 0x4004 8208) bit description

Bit	Symbol	Value	Description	Reset value
10:0	RSRPIO_n	-	start signal reset for start logic input PIO0_x (PIO0_10 to PIO0_0)	0
		0	do nothing	
		1	writing logic 1 resets the start signal	
11	RSRRFID	-	start signal reset for start Logic input RFID	0
		0	do nothing	
		1	writing logic 1 resets the start signal	
12	RSRTMR	-	start signal reset for start logic input wake-up timer	0
		0	do nothing	
		1	writing logic 1 resets the start signal	
31:13	-	-	(reserved)	0

4.5.16 Start logic status register 0 (STARTSRP0)

This register reflects the status of the enabled start signal bits. Each bit (if enabled) reflects the state of the start logic, i.e. whether a wake-up signal has been received for a given pin or not.

Table 24. STARTSRP0 register (address 0x4004 820C) bit description

Bit	Symbol	Value	Description	Reset value
10:0	SRPIO_n	-	start signal status for start logic input PIO0_n (PIO0_10 to PIO0_0)	0
		0	no start signal received	
		1	start signal received	
11	SRRFID	-	start signal status for start logic input RFID	0
		0	no start signal received	
		1	start signal received	
12	SRTMR	-	start signal status for start logic input wake-up timer	0
		0	no start signal received	
		1	start signal received	
31:13	-	-	(reserved)	0

4.5.17 Wake-up configuration register (PDAWAKECFG)

The FLASH_PD bit in this register, PDAWAKECFG, enables an address remap of the flash addresses to SRAM addresses after exiting from Deep-sleep mode.

When the bit is set before going in Deep-sleep mode, all the flash addresses are remapped to SRAM addresses, when the chip leaves Deep-sleep mode. All the flash addresses are remapped, not only the interrupt vector table. The remapping is independent of the FLASH_PD bit in the PDRUNCFG register. In other words, the remapping is active whether the flash is powered down or not.

The remapping becomes only active when the chip goes in Deep-sleep mode. The remapping continues until the FLASH_PD bit in this register is cleared.

If the user chooses to enable this feature, the interrupt vector table and the program code must be copied to SRAM. The SRAM content is preserved during Deep-sleep mode.

Table 25. PDAWAKECFG register (address 0x4004 8234) bit description

Bit	Symbol	Value	Description	Reset value
0	FLASH_PD	-	Flash addresses remapped to SRAM after Deep-sleep mode	0
		0	no flash address remapping after Deep-sleep mode (Flash must be powered)	
		1	Flash address remapping after Deep-sleep mode (Flash can be powered down)	
31:1	-	-	(reserved)	0

4.5.18 Power-down configuration register (PDRUNCFG)

The bits in the PDRUNCFG register control the power to the various analog blocks. This register can be written to at any time while the chip is powered, and a write takes effect immediately. By default, the Flash memory is running. Before switching off power to Flash memory, the user must ensure the interrupt vector table points to SRAM, and the relevant program code resides in SRAM.

Table 26. PDRUNCFG register (address 0x4004 8238) bit description

Bit	Symbol	Value	Description	Reset value
0	FLASH_PD	-	flash power down	0
		0	powered	
		1	powered down	
1	TSEN_PD	-	temperature sensor power down	1
		0	powered	
		1	powered down	
2	C2D_PD	-	capacitance-to-digital converter power down	1
		0	powered	
		1	powered down	
3	EEPROM_PD	-	EEPROM power down	1
		0	powered	
		1	powered down	
4	I2D	-	current-to-digital converter power down	1
		0	powered	
		1	powered down	
5	ADCDAC	-	ADC/DAC converter power down	1
		0	powered	
		1	powered down	
31:6	-	-	(reserved)	0

4.5.19 Device ID register (DEVICE_ID)

This device ID register is a read-only register and contains the part ID of the chip (NHS3100, NHS3152...). The value of this register is copied from EEPROM as part of device boot (firmware).

Table 27. DEVICE_ID register (address 0x4004 83F4) bit description

Bit	Symbol	Value	Description	After boot
31:0	DEVICEID	-	part ID number for NHS31xx model	device dependent

Table 28. Device IDs

Type number	Device ID
NHS3100/A1	0x4E310020
NHS3100UK/A1	
NHS3152/A1	0x4E315220
NHS3152UK/A1	
NHS3153/A1	0x4E315320
NHS3153UK/A1	

5. Power management unit (PMU)

5.1 About this chapter

This chapter describes the Power Management Unit (PMU) which controls the switching between available power sources.

5.2 General description

The PMU controls four power modes: Active, Sleep, Deep-sleep and Deep power-down. Additionally the chip can be put into the Battery-off mode, which reduces current to nA levels. However, this mode can only be left via the RESETN pin or an NFC signal.

The IC power controller controls power flow from the NFC domain or the external domain to the internal domains; the PMU controls the power regulators.

5.3 Functional description

NHS31xx supports various power control features. In Active mode, when the chip is running, power and clocks to selected peripherals can be optimized for power consumption. In addition, there are three special modes of processor power reduction: Sleep mode, Deep-sleep mode, and Deep power-down mode.

Note: Basic RFID/NFC tag functionality is maintained in all sleep and power-down modes, as the RFID/NFC communication block is self-powered. Communication with the ARM Cortex-M0+ core is however only possible in Active mode.

Remark: The Debug mode is not supported in Deep power-down mode.

5.3.1 Active mode

Active mode is the only mode in which the ARM core is executing instructions. The system clock, or a dedicated peripheral clock, clocks the peripherals. The chip is in Active mode after reset. The reset values of the PDRUNCFG and SYSAHBCLKCTRL registers determine the default power configuration (see [Section 4.5.6](#)). The power configuration can be changed during runtime.

5.3.1.1 Power configuration in Active mode

The following configuration choices determine the power consumption in Active mode:

- The SYSAHBCLKCTRL register controls which memories and peripherals are running
- The power to various analog blocks (sensors, ADC, DAC, and the flash block) can be controlled at any time individually through the PDRUNCFG register
- The clock source for the system clock can be selected from the SFRO
- The SYSCLKCTRL register selects the system clock frequency
- Selected peripherals (SPI, WDT) use individual peripheral clocks with their own clock dividers. The peripheral clocks can be shut down through the corresponding clock divider registers

5.3.2 Sleep mode

In Sleep mode, the system clock to the ARM Cortex-M0+ core is stopped. Execution of instructions is suspended until either a reset or an enabled interrupt occurs. Peripheral functions, if selected to be clocked in the SYSAHBCLKCTRL register, continue operation during Sleep mode. These functions may generate interrupts causing the processor to resume execution. Sleep mode eliminates dynamic power used by the processor itself, memory systems and their related controllers, and internal buses. The processor state and registers, peripheral registers, and internal SRAM values are maintained, and the logic levels of the pins remain static.

The same settings as in Active mode configure the power consumption in Sleep mode:

- Clock remains running
- System clock frequency is the same, but core is not clocked
- Peripherals are controlled as in Active mode

The following steps must be performed to enter Sleep mode:

1. The DPDEN bit in the PCON register must be set to logic 0
2. The SLEEPDEEP bit in the ARM Cortex-M0+ SCR register must be set to logic 0
3. Use the ARM Cortex-M0+ Wait-For-Interrupt (WFI) instruction

Sleep mode is exited automatically when an interrupt enabled by the NVIC arrives at the processor or a reset occurs. After wake-up due to an interrupt, the microcontroller returns to its original power configuration defined by the contents of the PDRUNCFG and the SYSAHBCLKDIV registers. If a reset occurs, the microcontroller enters the default configuration in Active mode.

5.3.3 Deep-sleep mode

In Deep-sleep mode, the system clock to the processor is disabled as in Sleep mode. All analog blocks except for the LDOs and the SFRO are powered down.

Deep-sleep mode eliminates all power used by the flash and analog peripherals, dynamic power used by the processor, memory systems and related controllers, and internal buses. The processor state and registers, peripheral registers, and internal SRAM values are maintained, and the logic levels of the pins remain static.

The SFRO keeps running in Deep-sleep mode. The watchdog timer or one of the timers can be left running in Deep-sleep mode if necessary for timer-controlled wake-up.

The following steps must be performed to enter Deep-sleep mode:

1. The DPDEN bit in the PCON register must be set to logic 0
2. If an external pin is used for wake-up, enable and clear the wake-up pin in the start logic registers, and enable the start logic interrupt in the NVIC
3. In the SYSAHBCLKCTRL register, disable all peripherals except timer or WDT if needed
4. Write one to the SLEEPDEEP bit in the ARM Cortex-M0+ SCR register
5. Use the ARM WFI instruction

The microcontroller can wake up from Deep-sleep mode in one of the following ways:

- Signal on an external pin. For this purpose, pins PIO0_0 to PIO0_10 can be enabled as inputs to the start logic. The start logic does not require any clocks
- Input signal to the start logic created by a match event on one of the general-purpose timer external match outputs. The pin holding the timer match function must be enabled as a start logic input in the NVIC. The corresponding timer must be enabled in the SYSAHBCLKCTRL register
- Reset or interrupt from the watchdog timer. In this case, the WDT must be enabled in the SYSAHBCLKCTRL register
- A reset signal from the external RESET pin

The Deep-sleep mode is exit when the start logic indicates an interrupt to the ARM core. The port pins PIO0_0 to PIO0_10, the RFID core, and RTC Timer are connected to the start logic and serve as wake-up sources. The user must program the start logic registers for each input to set the appropriate edge polarity for the corresponding wake-up event. Furthermore, the interrupts corresponding to each input must be enabled in the NVIC.

The start logic does not require a clock to run because it uses the input signals on the enabled pins to generate a clock edge, when enabled. Therefore, the start logic register should be cleared before use.

The start logic can also be used in Active mode to provide a vectored interrupt using the NHS31xx input pins.

5.3.4 Deep power-down mode

In Deep power-down mode, power and clocks are shut off on the internal power domains except for the WAKEUP pin, and the RTC Timer. During Deep power-down mode, the contents of the SRAM and registers are not retained. An exception is a small amount of data which can be stored in the five 32-bit general-purpose registers of the PMU block. SFRO and the two LDOs are shut down, only the always-on domain remains powered (and the NFC/RFID domain, which is self-powered).

The state of the optional pull-up/pull-down on the PIO pins is retained. It can be used to prevent the pins from floating and thus causing extra power consumption. The I²C pins (PIO0_4/PIO0_5) do not cause extra power consumption while floating.

Note: The PIO pins go to 3-state condition WITHOUT pull-up or pull-down when the chip is reset (both from internal or external source), for instance after waking up from Deep power-down.

The following steps must be performed to enter Deep power-down mode:

1. Write one to the DPDEN bit in the PCON register
2. (Optional) Set the WAKEUP bit in the PCON register to enable wake-up functionality on PIO0_0
3. Store data to be retained in the general-purpose registers
4. Write one to the SLEEPDEEP bit in the ARM Cortex-M0+ SCR register
5. (Optional) Enable the RTC Timer
6. Use the ARM WFI instruction

Four events can wake the microcontroller from Deep power-down mode:

- RESETN is asserted on the external pin
- An RTC Timer event occurs (if enabled)
- The WAKEUP pin is pulled low externally (if enabled)
- The NFC/RFID core is activated (RFPOW signal)

Any of these event results in a full reset cycle of NHS31xx. If the WAKEUP pin is enabled, the signal should stay stable for 100 μ s after the HIGH-to-LOW transition. The following sequence is started:

1. The PMU turns on the on-chip voltage regulators LDO1 and LDO2. When the core voltage reaches the power-on-reset (POR) trip point and the SFRO is stable, a system reset is triggered and the chip reboots
2. If the reason of waking from Deep-power down is different from RESETN or a Watchdog reset, all registers except the GPREG0 to GPREG4, PCON and RTC registers are in their reset state. If the reason is RESETN or a Watchdog reset, then all registers are in their reset state.
3. Once the chip has booted, read the Deep power-down flag in the PCON register to verify that a wake-up event from Deep power-down caused the reset
4. Establish the cause of exit from Deep-power down by verifying the DPDEXIT bits in the PSTAT register
5. Clear the Deep power-down flag in the PCON register
6. (Optional) Clear the WAKEUP bit in the PCON register
7. Clear the RTC timer event flag in the RTCMIS register
8. (Optional) Read the stored data in the general-purpose registers
9. Set up the PMU for the next Deep power-down cycle

5.4 System power architecture

The NHS31xx platform accepts power from two different sources: from the external power supply pin VDDBAT (domain VBAT), or from the built-in NFC/RFID rectifier (domain VNFC).

VDD_ALON via the VDD_ALON pad powers the external ring (VDDE) of the IO pads, as shown in [Figure 8](#). **Note:** the pad ring does not power the VDDBAT pin, it is thus not possible to power external devices connected to this pin. In Passive RF mode, external devices can be powered by connecting them to a PIO0_n (preferably a high-drive pin) set to output logic 1.

The PMU in the always-on domain then decides on the powering of the internal domains.

The power source decision is as follows:

- If voltage is detected on VBAT and not on VNFC, VBAT powers the internal domains
- If voltage < 1.72 V is detected on VBAT, and higher voltage is detected on VNFC, VNFC powers the internal domains
- If voltage > 1.72 V is detected at both VBAT and VNFC, VBAT powers the internal domains

- Switchover between sources is possible. For example, if initially both VBAT and VNFC are available, the system is powered from VBAT. If VBAT then becomes unavailable because it is switched off externally or the PSWBAT power switch is overridden, the internal domains are immediately powered from VNFC. Switchover is supported in both directions
- When on NFC power only (passive operation), connect a 100 nF external capacitor to a GPIO pad set as an output driven to logic 1
- The user can disable the automatic switching by setting bit PMULPM in the PCON register. Setting this bit disables the voltage comparator and forces the selection of the VDDBAT input.

When the system is in Deep Power-down mode, the power source selection is handled in the same way. The powering of the internal domains then depends on the wake-up conditions set by the user: Wake-up due to a 1-to-0 transition on the WAKEUP pin (if WAKEUP is enabled in the PIO0_0 register), an RTC timer event, or an NFC event.

When the WAKEUP function on PIO0_0 is enabled in the PCON register, and the DPEN is set, the NHS31xx overrides the user settings of the PIO0_0 pad before entering Deep power-down. The pad is set to wake-up and the pull-up is enabled.

The PSTAT register contains all information on the configuration of the power supplies. The system Power-On Reset reacts on VDD1V2.

The power architecture of the NHS31xx is shown in [Figure 8](#). The (analog) IC power controller arbitrates between external battery power (VBAT) and RF power (VNFC) and controls the main power switches. The Power management unit controls the LDOs and the power flow to the different circuits block inside the NHS31xx, as well as the different sleep modes. It interacts with the RTC Timer (refer to section 4.16) and the ARM Cortex-M0+ core. The RTC timer resides partly in the always-on power domain, partly in the 1.2 V domain. It generates a power-on request signal toward the PMU.

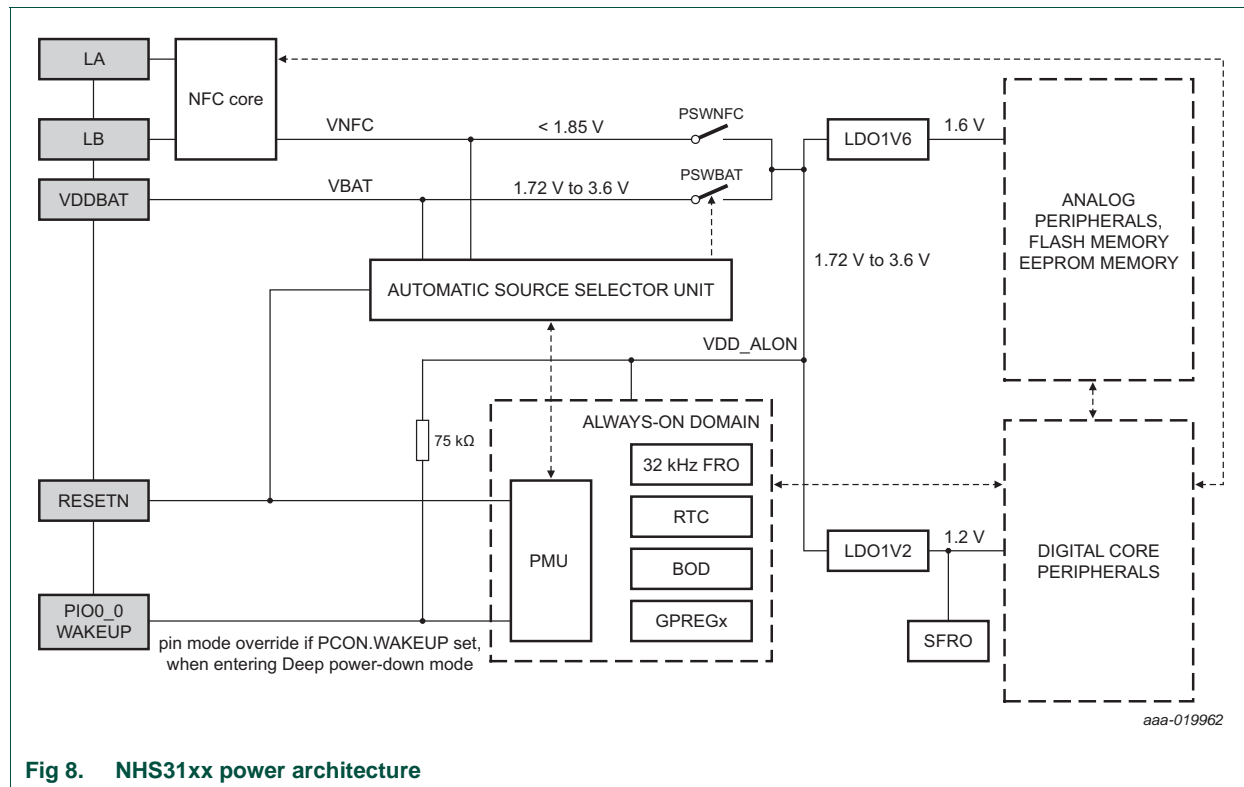


Fig 8. NHS31xx power architecture

In the above figure, PSWNFC and PSWBAT are power switches. LDO1V2 converts voltages in the range 1.72 V to 3.6 V into 1.22 V. LDO1V6 converts voltages in the range 1.72 V to 3.6 V into 1.6 V. Each LDO can be enabled separately. A 1.2 nF buffer capacitor is included at the input of the LDOs. The always-on power domain is automatically switched to any available power via the autoswitch unit.

The VNFC input power net contains a buffer capacitor to maintain system integrity during Miller pauses when powered from RF field. Each pause lasts 3 μs, and the voltage drop should be limited to 0.4 V (1.4 V at input of 1.2 V LDO). The average current is assumed at 150 μA. In this case, the minimum size for the buffer capacitor is:

$$C = \frac{\Delta Q}{\Delta V} = \frac{150 \mu A \times 3 \mu s}{0.4 V} = 1.125 nF \quad (1)$$

For passive RFID powered operation, adding an external 100 nF capacitor on PIO0_x pins set to logic 1 is recommended. Adding this capacitor ensures that all operations are possible during Miller pauses (e.g. Flash write).

Figure 9 shows the different power supply pads and power supply connections used in the design. The main power inputs are via VDD_ALON/VSS pads, connecting to the VDDE and GNDE rails. Switched battery power is connected via a VDDBAT pad.

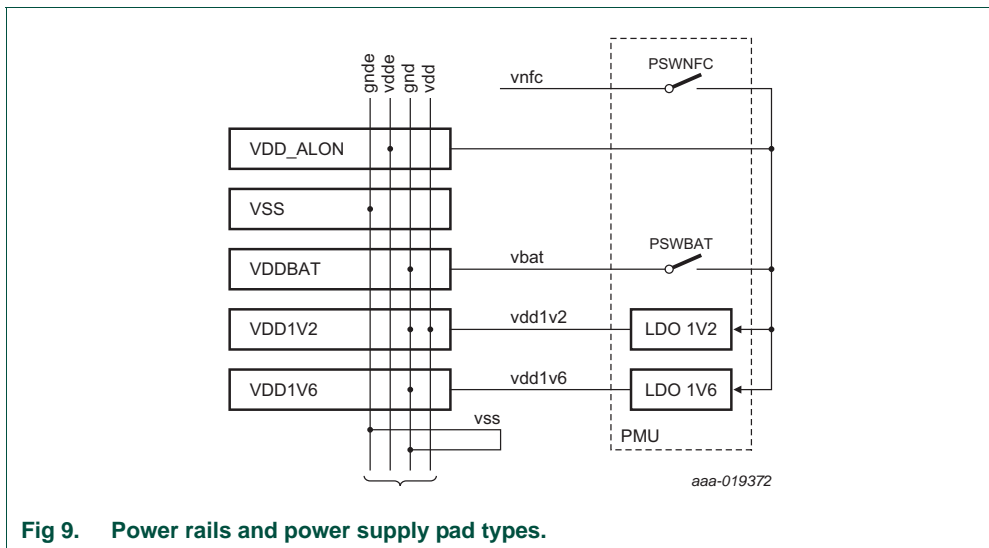


Fig 9. Power rails and power supply pad types.

The PMU states and settings of the LDOs are summarized in [Table 29](#), and the state transitions are shown in [Figure 10](#).

Table 29. IC power states

State	VDD_ALON	DPDN ^[1]	DSLPL ^[2]	LDO1 1.2 V	LDO2 1.6 V
NOPOWER	no	X	X	X	X
ACTIVE	yes	0	0	on	on
DEEPPDN	yes ^[3]	1	0	off	off
DEEPSLEEP	yes ^[3]	0	1	on	off

[1] DPN indicates whether the system is in Deep power-down.

[2] DSLPL indicates that the system is in Deep-sleep.

[3] The value of VDD_RFID is X instead of logic 0 if the RFID interrupt is disabled in the PMU settings.

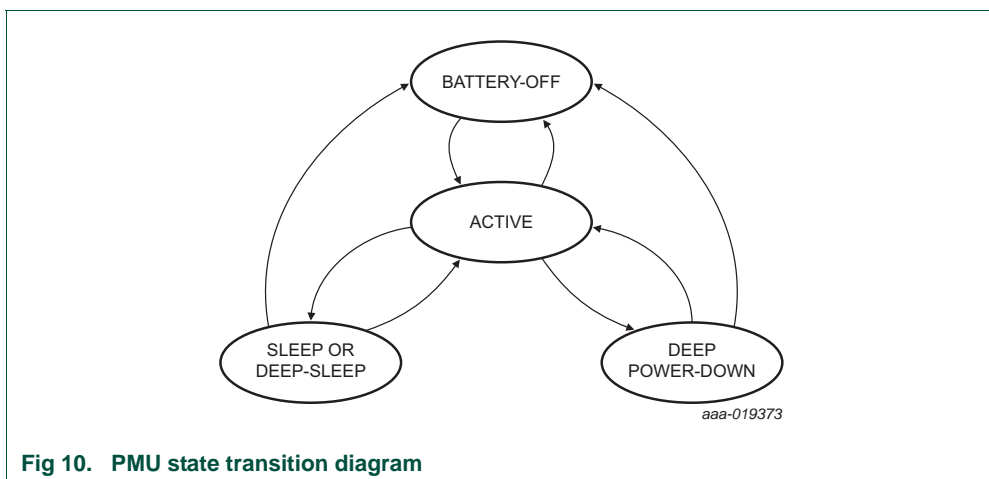


Fig 10. PMU state transition diagram

The RESETN signal also forces a 'request power-on' when in Deep power-down or Deep-sleep to avoid deadlock situations. Table 30 and Table 31 summarize the events that can influence wake-up from Deep-sleep or Deep power-down (DEEPPDN or DEEPSLEEP to ACTIVE state transition).

Table 30. State transition events for DEEPSLEEP to ACTIVE

Event	Description
RESETN	reset asserted
RTC event	if the timer reaches pre-set value
Watchdog	watchdog issues interrupt or reset
WAKEUP	signal on WAKEUP pin or pins defined for exit out of Deep-sleep
RF field	RF field is detected, potential NFC command input (if set in PMU)
Start logic interrupt	one of the enabled start logic interrupts is asserted

Table 31. State transition events for DEEP POWER-DOWN to ACTIVE

Event	Description
RESETN	reset asserted
RTC event	if the timer reaches pre-set value
WAKEUP	signal on WAKEUP pin
RF field	RF field is detected, potential NFC command input (if set in PMU)

The power-up sequence is shown in Figure 11. When external power is applied and the PSUBAT switch closed, the always-on part gets a power-on reset signal and the timer FRO starts running. The TFRO starts a small state machine in the PMU. In the first state, the LDO powering the digital domain is started. In the second state, the LDO powering the 1.6 V analog domain is started. In the last state, the system is considered 'on'. The transition from 'off' to 'on' takes approximately 92 μs. In the VDD1V2 domain, enabling the LDO1 and SFRO triggers the system_por. The system can boot when the Flash memory is operational.

If there is no external power, but there is RF power, the same procedure is followed except that PSWNFC connects power to the LDOs.

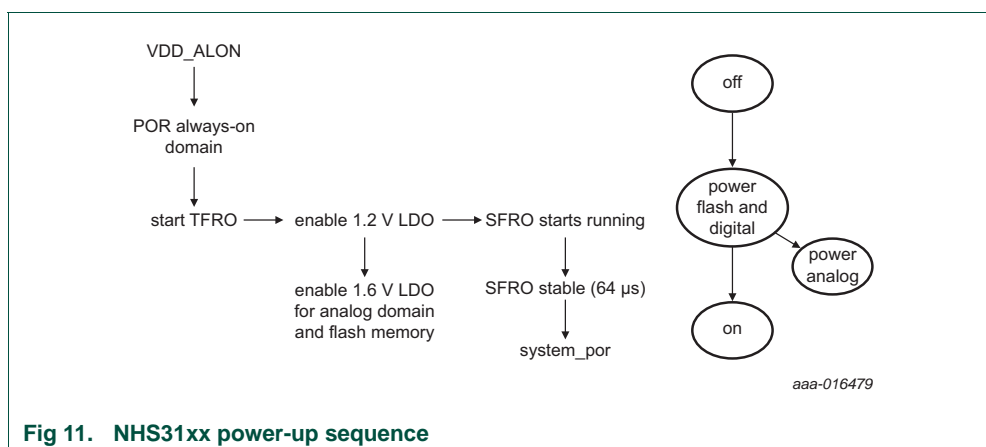


Fig 11. NHS31xx power-up sequence

The user cannot disable the TFRO as it is used by the PMU.

5.5 Brown-out detection

The NHS31xx monitors the voltage on VDD_ALON. If this voltage falls below the threshold level (1.8 V), the BOD asserts an interrupt.

The interrupt detection has a hysteresis of 75 mV.

5.6 Register Descriptions

All PMU registers need a synchronized access. See [Section 5.6.4](#).

Table 32. Register overview: PMU (base address 0x4003 8000)

Name	Access	Address offset	Description	Reset value
PCON	R/W	0x000	power control register	0x0000 0000
GPREG0	R/W	0x004	general-purpose register 0	0x0000 0000
GPREG1	R/W	0x008	general-purpose register 1	0x0000 0000
GPREG2	R/W	0x00C	general-purpose register 2	0x0000 0000
GPREG3	R/W	0x010	general-purpose register 3	0x0000 0000
GPREG4	R/W	0x014	general-purpose register 4	0x0000 0000
PSTAT	R	0x018	power management unit status register	n/a
-	-	0x01C	(reserved)	-
ACCSTAT	R	0x020	access status register	0x0000 0001
LDO1V6	R/W	0x024	analog 1.6 V LDO trimming	0x0000 0004
TMRCLKCTRL	R/W	0x02C	timer clock control register	0x0060 0001
IMSC	R/W	0x030	interrupt mask set and clear Register	0x0000 0000
RIS	R	0x034	raw interrupt status register	0x0000 0000
MIS	R	0x038	masked interrupt status register	0x0000 0000
ICR	W	0x03C	interrupt clear register	n/a

5.6.1 Power control register (PCON)

The power control register selects whether one of the ARM Cortex-M0+ controlled Power-down modes (Sleep mode or Deep-sleep mode) or the Deep power-down mode is entered. The register also provides the flags for Sleep or Deep-sleep modes and Deep power-down modes respectively. It also contains the overrides for the power source selection.

Table 33. PCON register (address 0x4003 8000) bit description

Bit	Symbol	Value	Description	Reset value
0	-	-	(reserved. Do not write 1 to this bit)	0
1	DPEN	-	Deep power-down mode enable	0
		0	ARM WFI enters Sleep or Deep-sleep mode (clock to ARM Cortex-M0+ core turned off)	
		1	ARM WFI enters Deep-power down mode (ARM Cortex-M0+ core powered down)	
7:2	-	-	(reserved. Do not write 1 to this bit)	0

Table 33. PCON register (address 0x4003 8000) bit description *_continued*

Bit	Symbol	Value	Description	Reset value
8	SLEEPFLAG	-	Sleep mode flag	0
		0	read: No Power-down mode entered write: No effect	
		1	read: Sleep/Deep-sleep mode entered write: write logic 1 to clear SLEEPFLAG	
10:9	-	-	(reserved. Do not write 1 to these bits)	0
11	DPDFLAG	-	Deep power-down flag	0
		0	read: No power-down mode entered write: No effect	
		1	read: Deep power-down mode entered write: Clear the deep power-down flag	
12	-	-	(reserved. Do not write 1 to this bit)	0
13	PMULPM ^[1]	-	PMU ultra-low-power mode	0
		0	power switches are in automatic mode	
		1	disable automatic switching (default to external power)	
14	VBAT	-	Battery switch control	0
		0	Automatic mode	
		1	force off (disconnect external battery)	
15	BODEN	-	Brown-Out Detector enable	0
		0	BOD disabled	
		1	BOD enabled	
16	-	-	(reserved. Do not write 1 to this bit)	0
18:17	FORCEVBAT FORCEV NFC	-	force the power source selection	0
		01	force to VBAT/external power	
		10	force to NFC power	
		11	autoswitching if PMULPM is 0	
19	WAKEUP ^[2]	-	enable the WAKEUP function on pin PIO0_0	-
		0	WAKEUP function not enabled	
		1	WAKEUP function assigned to PIO0_0. When selecting this option, PIO0_0 has a weak pull-up to VDD_ALON when in Deep power-down.	
31:20	-	-	(reserved. Do not write 1 to this bit)	-

[1] Setting the PMULPM bit disables the automatic switching. It is recommended only when on battery power and no switching to NFC is foreseen.

[2] Setting the WAKEUP bit enables the wake-up function of the PIO0_0 pad. Upon entering Deep power-down, the pad is automatically set to input with disabled receiver, and enabled pull-up resistor. If this bit is not set, it is not possible to exit Deep power-down via the PIO0_0 pin.

5.6.2 General-purpose registers 0 to 4 (GPREG0-4)

The general-purpose registers retain data through Deep power-down mode when power is still applied to the VDDBAT pin but the chip has entered Deep power-down mode. Only a cold boot when all external and RF power has been removed from the chip, or a hard reset (asserting the RESETN pin), resets the general-purpose registers.

Table 34. GPREG0 - GPREG3 registers (address 0x4003 8004 to 0x4003 8014) bit description

Bit	Symbol	Value	Description	Reset value
31:0	GPDATA	-	data retained during Deep power-down mode	0

5.6.3 Power status register (PSTAT)

The power status register indicates the power source and configuration of LDOs and power switches. Reading the PSTAT register clears the BOD and RFPOW interrupts.

Table 35. PSTAT register (address 0x4003 8018) bit description

Bit	Symbol	Value	Description	Reset value
0	PSWNFC	-	status of NFC power selection switch	1 or 0
		0	switch disabled (not conducting)	
		1	switch enabled (conducting)	
1	PSWBAT	-	status of battery power selection switch	0 or 1
		0	switch disabled (not conducting)	
		1	switch enabled (conducting)	
2	-	-	(reserved)	0 or 1
4:3	DPDEXIT	-	reason for exit from Deep-Power Down. Only valid when the DPDFLAG in the PCON register is asserted (1)	0
		00	POR or RESETN pin asserted	
		01	LDO enabled	
		10	RTC timer event	
		11	WAKEUP pin negative edge detected	
5	BOD1V8 ^[1]	-	BOD detected (VDD < 1.8 V)	0
		0	VDD ≥ 1.8 V	
		1	VDD < 1.8 V	
6	-	-	(reserved)	
7	RFPOW ^[1]	-	RF field detected	0
		0	no field	
		1	RF field	
31:7	-	-	(reserved)	-

[1] The BOD1V7 and RFPOW signals are real-time (immediate) values, and might differ from the corresponding interrupts

5.6.4 Access status register (ACCSTAT)

The access status register indicates whether the PMU is able to accept data over the APB. The PMU runs at a different clock rate than the core system therefore bus synchronization is necessary. This mechanism is described below.

Write access

The write procedure is as follows:

- When the ARM writes to a PMU register:
 - The address/value pair is stored in the command-buffer
 - The direction flag is set to write
 - ACCSTAT goes to logic 0 indicating a command is pending. This transition happens on an edge of the APB clock, which is faster than the TFRO clock.
- When the TFRO clock edge comes, the address/value in the command-buffer is written to the RTC block
- On a next TFRO edge, the ACCSTAT goes to logic 1 to indicate that no command is pending and a new one can be given

Read access

The read procedure is as follows:

- When a value is stored in the PMU register for the ARM to read;
 - Only the register address is stored in the command-buffer
 - The direction flag is set to read
 - ACCSTAT goes to logic 0 indicating a command is pending.
- When the TFRO clock edge arrives, the address in the buffer is used to read the actual RTC register. This register value is copied in the data part of the command-buffer
- On the next TFRO edge, the ACCSTAT goes to logic 1 to indicate that the command is completed
- The ARM should do another read from a PMU register. This read ensures that the actual register value is picked up from that data part of the command-buffer
- The command-buffer sees that the address of the second read is the same as the address part in the command-buffer. In this case, the result is not treated as a new read command (ACCSTAT stays logic 1)
- However, the address part of the command-buffer is now cleared, so that a third read (even when from the same PMU register) causes a new command

Table 36. ACCSTAT register (address 0x4003 8020) bit description

Bit	Symbol	Description	Reset value
0	PMU_READY	logic 0: PMU access not possible, logic 1: PMU access possible	1
31:1	-	(reserved)	-

5.6.5 Timer clock control register (TMRCLKCTRL)

The timer clock control register controls the 32 kHz oscillator and RTC clock source.

Note: this register resides in the always-on power domain, hence its location in the PMU. The 32 kHz TFRO is always running when VDD_ALON is available.

Table 37. TMRCLKCTRL register (address 0x4003 802C) bit description

Bit	Symbol	Value	Description	After boot
0	TMREN	-	RTC clock source.	1
		0	no clock	
		1	32 kHz FRO	

Table 37. TMRCLKCTRL register (address 0x4003 802C) bit description

Bit	Symbol	Value	Description	After boot
15:1	-	-	(reserved)	-
21:16	TMRCLKTRIM	-	timer FRO trim value (6-bit)	device dependent
23:22	TMRCURRLVL	-	timer FRO current level selector bits	device dependent
31:24	-	-	(reserved)	-

5.6.6 PMU Interrupt mask set and clear register (IMSC)

This register controls whether each of the two possible interrupt conditions in the PMU are enabled.

Table 38. IMSC register (address 0x4003 8030) bit description

Bit	Symbol	Description	Reset value
0	BODI	software should set this bit to enable an interrupt when the BOD is triggered	0
1	RFPOWI	software should set this bit to enable an interrupt when RF power is detected	0
31:2	-	(reserved)	0

5.6.7 PMU Raw interrupt status register (RIS)

This read-only register contains a logic 1 for each interrupt condition that is asserted, regardless of whether the interrupt is enabled in the IMSC register.

Table 39. RIS register (address 0x4003 8034) bit description

Bit	Symbol	Description	Reset value
0	BODRI	raw BOD interrupt value	0
1	RFPOWRI	raw RF power interrupt value	0
31:2	-	(reserved)	0

5.6.8 PMU Masked interrupt status register (MIS)

This read-only register contains a logic 1 for each interrupt condition that is asserted and enabled in the IMSC registers.

Table 40. MIS register (address 0x4003 8038) bit description

Bit	Symbol	Description	Reset value
0	BODRI	raw BOD interrupt value	0
1	RFPOWRI	raw RF power interrupt value	0
31:2	-	(reserved)	0

5.6.9 PMU Interrupt clear register (ICR)

Software can write one or more logic 1s to this write-only register, to clear the corresponding interrupt condition or conditions in the PMU. **Note:** the interrupt conditions can be disabled by clearing the corresponding bit in IMSC registers

Table 41. ICR register (address 0x4003 803C) bit description

Bit	Symbol	Description	Reset value
0	BODC	writing a logic 1 clears the BOD interrupt	0
1	RFPOWC	writing a logic 1 clears the RF power interrupt	0
31:2	-	(reserved)	0

6. In Application Programming (IAP) firmware

The IAP (In Application Programming) provides APIs to program a blank device. The APIs can also erase and reprogram a previously programmed device, or program the flash memory by the application program in a running system.

The following functions are supported:

- Return Part Identity
- Return boot code version
- Return device serial number UID)
- Prepare/unlock a Flash sector for program/erase
- Erase one or more contiguous Flash sectors based on sector range
- Copy data to Flash
- Write Flash sector

The In Application Programming (IAP) library is stored, together with the boot code, in read only (locked) sectors in the Flash memory space.

The IAP routine should be called with a word pointer in register R0 pointing to memory (RAM) containing command code and parameters. Result of the IAP command is returned in the result table pointed to by register R1. [Figure 12](#) illustrates the IAP command passing procedure.

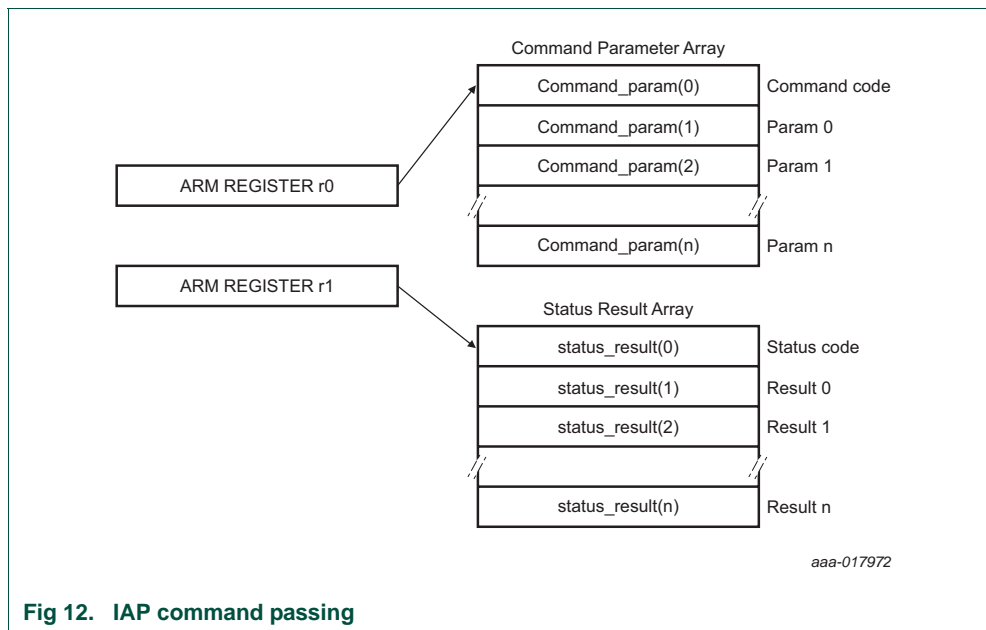


Fig 12. IAP command passing

The number of parameters and results vary according to the IAP command. The maximum number of parameters is 5, passed to the 'Copy Data to Flash' command. The maximum number of results is 4, returned by the 'Read UID' command. The command handler sends the status code INVALID_COMMAND when an undefined command is received. The IAP routine resides at 0x1FFF 1FF0 location and it is thumb code. Call the IAP function in the following way:

Step 1: Define the IAP location entry point. Bit 0 of the IAP location is set to logic to indicate that it is a Thumb instruction at the destination address.

```
#define IAP_LOCATION 0x1fff 1ff1
```

Step 2: To pass IAP command table and result table to the IAP function, define data structure or pointers:

```
unsigned int command_param[5];
unsigned int status_result[4];
```

or

```
unsigned int * command_param;
unsigned int * status_result;
command_param = (unsigned int *) 0x...
status_result = (unsigned int *) 0x...
```

Step 3: Define function type pointer, which takes two parameters and returns void. Note the IAP returns the result with the base address of the table residing in R1.

```
typedef void (*IAP)(unsigned int [],unsigned int[]);
IAP iap_entry;
```

Setting the function pointer:

```
iap_entry=(IAP) IAP_LOCATION;
```

Step 4: To call the IAP, use the following statement.

```
iap_entry (command_param,status_result);
```

The flash memory is not accessible during program/erase operations. IAP commands, which result in a flash write/erase operation, use 16 bytes of space in the top portion of the on-chip RAM for execution. This portion is initialized at boot, and if the user application executes IAP calls for flash programming, this area should be left untouched.

Many of the IAP commands access non-volatile memories, and may cause temporary power consumption increase.

6.1 IAP command list

Table 42. IAP command list

IAP Command	Command code		Reference
	hex	decimal	
Read factory settings	28h	40d	Section 6.1.1
Prepare sectors for write operation	32h	50d	Section 6.1.2
Copy data to flash	33h	51d	Section 6.1.3
Erase sectors	34h	52d	Section 6.1.4
Blank check sectors	35h	53d	Section 6.1.5
Read part identity	36h	54d	Section 6.1.6
Read boot code version	37h	55d	Section 6.1.7

Table 42. IAP command list

IAP Command	Command code		Reference
	hex	decimal	
Compare	38h	56d	Section 6.1.8
Read UID	3Ah	58d	Section 6.1.9
Erase page	3Bh	59d	Section 6.1.10

After power-on reset, all flash sectors are protected. To erase or write to sectors or pages, the user first must issue the 'Prepare sectors for write operation' command to unprotect the corresponding sectors.

For example, if the user wants to write data to sector 6 the following procedure should be followed:

1. Call the 'Prepare' command (code: 50d) for sector 6
2. Call the 'Erase' command (code: 52d) to erase sector 6
3. Call the 'Prepare' command (code: 50d) again
4. Call the 'Copy Data to Flash' command (code: 51d) to write data to sector 6

Remark: During an erase or program operation, the flash is not accessible. Hence, if the Interrupt Vector Table is placed in Flash (default setup) the application should make sure that no interrupts are triggered. Accessing the table, if in flash, results in a hard fault.

6.1.1 Read factory settings

This command reads the factory settings for calibration registers.

Table 43. IAP Read factory settings command

Command	Read factory settings
Input	command code: 40 (decimal) param0: The address of the targeted calibration register. Refer to Table 44 for supported registers
Status code	CMD_SUCCESS PARAMETER_ERROR
Result	result0: The factory value when the status code is CMD_SUCCESS. PARAMETER_ERROR is returned when param0 is not one of the supported calibration registers
Description	this command provides users with the capability to read the factory value for the calibration registers

Table 44. Supported registers for factory setting read

Parameter 0	Description
0x4006 0010 ^[1]	TSENSP1: Temperature sensor setup register 1
0x4006 0014 ^[1]	TSENSP2: Temperature sensor setup register 2
0x4006 0018 ^[1]	TSENSP3: Temperature sensor setup register 3
0x4005 4008	RTCCAL: RTC timer calibration register

[1] Only applicable to devices that support temperature sensors

6.1.2 Prepare sectors for write operation

This command makes the sector or sectors unprotected.

Table 45. IAP Prepare sectors for write operation command

Command	Prepare sector for write operation
Input	command code: 50 (decimal) param0: Start Sector Number param1: End Sector Number (should be greater than or equal to start sector number)
Status code	CMD_SUCCESS INVALID_SECTOR
Result	none
Description	this command must be executed before executing 'Copy Data to flash' or 'Erase Sectors' command. Successful execution of the 'Copy Data to flash' or 'Erase Sectors' command causes relevant sectors to be protected again. This command cannot be used to prepare the boot sector. To prepare a single sector, use the same 'Start' and 'End' sector numbers

6.1.3 Copy data to flash

This command copies the data from the RAM buffer / EEPROM to the specified flash area to be written.

Table 46. IAP Copy data to flash command

Command	Copy data to flash
Input	command code: 51 (decimal) param0 (DST): Destination flash write address. This address should be a 64 byte boundary param1 (SRC): Source read address (RAM / EEPROM). This address should be a word boundary param2: Number of bytes to be written. Must be a multiple of 64 param3: System clock frequency (CCLK) in kHz. This parameter is ignored ^[1]
Status code	CMD_SUCCESS SRC_ADDR_ERROR (Address not a word boundary) DST_ADDR_ERROR (Address not on correct boundary) VDST_ADDR_NOT_VALID VSRC_ADDR_NOT_VALID COUNT_ERROR (Byte count is not a multiple of the page size) SECTOR_NOT_PREPARED_FOR_WRITE_OPERATION
Result	none
Description	this command is used to program the flash memory. The affected sectors should be prepared first by calling 'Prepare Sector for Write Operation' command. The flash area to be written should be blank (or cleared) before the operation is called. The affected sectors are automatically protected again once the copy command is successfully executed. This command cannot be used to write to the boot sector

[1] These devices are not able to select external clocks.

6.1.4 Erase sectors

Table 47. IAP Erase sector command

Command	Erase Sector
Input	command code: 52 (decimal) param0: Start Sector Number param1: End Sector Number (should be greater than or equal to start sector number) param2: System clock frequency (CCLK) in kHz. This parameter is ignored ^[1]
Status code	CMD_SUCCESS SECTOR_NOT_PREPARED_FOR_WRITE_OPERATION INVALID_SECTOR
Result	none
Description	this command is used to erase a sector or multiple sectors of on-chip flash memory. The affected sectors should be prepared first by calling the 'Prepare sector for write operation' command. This command cannot be used to erase the boot sector. To erase a single sector, use the same 'Start' and 'End' sector numbers

[1] These devices are not able to select external clocks.

6.1.5 Blank check sectors

Table 48. IAP Blank check sector command

Command	Blank check sector
Input	command code: 53 (decimal) param0: Start Sector Number param1: End Sector Number (should be greater than or equal to start sector number)
Status code	CMD_SUCCESS SECTOR_NOT_BLANK INVALID_SECTOR
Result	result0: Offset of the first non-blank word location if the Status Code is SECTOR_NOT_BLANK. result1: Contents at the non-blank word location
Description	this command is used to blank check a sector or multiple sectors of on-chip flash memory. To blank check a single sector, use the same 'Start' and 'End' sector numbers

6.1.6 Read part identification number

Table 49. IAP Read part identification command

Command	Read part identification number
Input	command code: 54 (decimal) parameters: None
Status code	CMD_SUCCESS
Result	result 0: Part Identification Number
Description	this command is used to read the part identification number

6.1.7 Read boot code version number

Table 50. IAP Read boot code version number command

Command	Read boot code version number
Input	command code: 55 (decimal) parameters: None
Status code	CMD_SUCCESS
Result ^[1]	result 0: 2 bytes of boot code version number. Read as <byte 1 (major)><byte 0 (minor)>
Description	this command is used to read the boot code version number

[1] Ignore the data contained in byte 2 and byte 3 in Result 0, which is for internal debugging purposes only.

6.1.8 Compare

Table 51. IAP Compare command

Command	Compare
Input	command code: 56 (decimal) param0 (DST): Starting flash, RAM or EEPROM address of data bytes to be compared. This address should be a word boundary param1 (SRC): Starting flash, RAM or EEPROM address of data bytes to be compared. This address should be a word boundary param2: Number of bytes to be compared, and should be a multiple of 4
Status code	CMD_SUCCESS COMPARE_ERROR COUNT_ERROR (Byte count is not a multiple of 4) ADDR_ERROR
Result	result0: If the Status Code is COMPARE_ERROR, the first mismatch is offset

6.1.9 Read UID

Table 52. IAP Read Unique Identification number command

Command	Read UID
Input	command code: 58 (decimal) parameters: None
Status code	CMD_SUCCESS
Result	result 0: The first 32-bit word result 1: The second 32-bit word result 2: The third 32-bit word result 3: The fourth 32-bit word
Description	this command is used to read the unique ID

6.1.10 Erase page

Table 53. IAP Erase page command

Command	Erase Page
Input	command code: 59 (decimal) param 0: Start page number param 1: End page number (should be greater than or equal to start page) param 2: System clock frequency (CCLK) in kHz. This parameter is ignored ^[1]
Status code	CMD_SUCCESS SECTOR_NOT_PREPARED_FOR_WRITE_OPERATION INVALID_SECTOR
Result	none
Description	this command is used to erase a page or multiple pages of on-chip flash memory. The affected sectors should be prepared first by calling 'Prepare Sector for Write Operation' command. To erase a single page, use the same 'start' and 'end' page number

[1] These devices are unable to select external clocks.

6.2 IAP Status Codes

Table 54. IAP Status Codes

Status code	Mnemonic	Description
0	CMD_SUCCESS	command is executed successfully
1	INVALID_COMMAND	invalid command
2	SRC_ADDR_ERROR	source address is not on a word boundary
3	DST_ADDR_ERROR	destination address is not on a correct boundary
4	SRC_ADDR_NOT_MAPPED	source address is not mapped in the memory map. Count value is considered where applicable
5	DST_ADDR_NOT_MAPPED	destination address is not mapped in the memory map. Count value is considered where applicable
6	COUNT_ERROR	byte count is not a permitted value
7	INVALID_SECTOR	sector number is invalid
8	SECTOR_NOT_BLANK	sector is not blank
9	SECTOR_NOT_PREPARED_FOR_WRITE_OPERATION	command to prepare sector for write operation was not executed
10	COMPARE_ERROR	source and destination data are not the same
11	-	this error code is not used
12	PARAMETER_ERROR	invalid parameter or Insufficient number of parameters
13	ADDR_ERROR	address is not on a word boundary

7. Temperature sensor

7.1 About this chapter

This chapter describes the use of the temperature sensing feature of the NHS31xx family of sensor node ICs.

7.2 Introduction

The temperature sensor is integrated into the chip and can accurately measure temperatures over a wide range.

7.3 Features

The temperature sensor block measures the temperature of the die and outputs a calibrated value in Kelvin. It has a ± 0.3 °C absolute temperature accuracy between 0 °C and 40 °C, and ± 0.5 °C between -40 °C to $+85$ °C.

7.4 General description

Register base address of the temperature sensor block: 0x4006 0000.

The temperature is measured using a high-precision zoom-ADC.

Table 55. Conversion time for different resolution of TSENS

Resolution (bit)	Resolution (°C)	Conversion time (ms)
7	± 0.8	4
8	± 0.4	7
9	± 0.2	14
10	± 0.1	26
11	± 0.05	50
12	± 0.025	100

7.5 Calibration

The temperature sensor calibration values are determined during manufacturing. For increased accuracy, the user can provide custom parameters A, B, and alpha. For calibration, the raw value X is needed, and high accuracy measurement is recommended. Internally, the following equation is used to obtain the calibrated temperature output:

$$T = A \times \frac{\alpha}{\alpha + X} + B \quad (2)$$

The calibration values A, B, and alpha for the default resolution settings are determined during the calibration phase of the manufacturing process and stored in EEPROM.

For detailed information on calibrating the temperature sensor see the *NHS3 Temperature sensor calibration application note*, [Ref. 5](#).

7.6 Register descriptions

The register addresses for the temperature sensor are listed in [Table 56](#).

Table 56. Register overview for temperature sensor (base address 0x4006 0000)

Name	Access	Address offset	Description	After boot	Reset value ^[1]
CR	R/W	0x0000	control register		0
DR	R	0x0004	data register. Contains result of conversion		0
SR	R	0x0008	status register		0x0000 0000
SP0	R/W	0x000C	setup register 0: set ADC and operation modes		0x0000 000F
SP1	R/W	0x0010	setup register 1: Calibration value 'A'		0
SP2	R/W	0x0014	setup register 2: Calibration value 'B'		0
SP3	R/W	0x0018	setup register 3: Calibration value 'alpha'		0
TLO	R/W	0x001C	low temperature threshold register		0x0000 8000
THI	R/W	0x0020	high temperature threshold register		0x0000 7FFF
IMSC	R/W	0x0024	interrupt Mask Set and Clear Register		0
RIS	R	0x0028	raw Interrupt Status Register		0
MIS	R	0x002C	masked Interrupt Status Register		0
ICR	W	0x0030	interrupt Clear Register		n/a

[1] Reset Value reflects the data stored in used bits only. It is not valid for the content of reserved bits.

7.6.1 Temperature sensor Control register (CR)

Table 57. CR register (address 0x4006 0000) bit description

Bit	Symbol	Description	Reset value	Access
0	START	sensor start bit. The temperature sensor clears this bit at the end of the measurement	0	R/W
31:1	-	(reserved)	-	-

7.6.2 Temperature sensor Data register (DR)

The DR register holds the current temperature data in either raw or calibrated format. Reading the DR register clears the temperature sensor interrupts.

Table 58. DR register (address 0x4006 0004) bit description

Bit	Symbol	Description	Reset value	Access
15:0	TDATA	result of last conversion. Format depending on the TOUTMODE bit of the SP0 register. Raw format is unsigned fixed point (5.11); calibrated format is signed fixed point (10.6) 2-complement	0x0000	R
31:16	-	(reserved)	-	-

7.6.3 Temperature sensor Status register (SR)

The SR register holds the status of the temperature sensor.

Table 59. SR register (address 0x4006 0008) bit description

Bit	Symbol	Description	Reset value	Access
0	TRANLOC	coarse range. Logic 1: out of range (too low)	0	R
1	TRANHIC	coarse range. Logic 1: out of range (too high)	0	R
2	TRANLOF	fine range. Logic 1: out of range (too low)	0	R
3	TRANHIF	fine range. Logic 1: out of range (too large)	0	R

Table 59. SR register (address 0x4006 0008) bit description

Bit	Symbol	Description	Reset value	Access
4	TSUCC	logic 1: successful conversion	0	R
7:5	TRESMODE	used Resolution mode	0	R
8	TOUTMODE	used Output mode	0	R
31:16	-	(reserved)	-	-

7.6.4 Temperature sensor Setup register 0 (SP0)

The SP0 register controls the resolution and mode settings for the zoom-ADC of the temperature sensor.

Table 60. SP0 register (address 0x4006 000C) bit description.

Bit	Symbol	Description	Reset value	Access	
0	TOUTMODE	temperature sensor Output mode [0]:	1	R/W	
		0			raw data
		1			calibrated data
3:1	TRESMODE	temperature sensor Resolution mode:	111b	R/W	
		010b			7-bit mode
		011b			8-bit mode
		100b			9-bit mode
		101b			10-bit mode
		110b			11-bit mode
		111b			12-bit mode
5:4	-	(reserved)	-	-	
6	TVCALEN	temperature sensor voltage calibration enable ^[1]	0	R/W	
31:7	-	(reserved)	-	-	

[1] See [Ref. 5](#) for information on calibrating the temperature sensor

7.6.5 Temperature sensor Setup register 1 (SP1)

The SP1 register contains the calibration parameter 'A'.

Table 61. SP1 register (address 0x4006 0010) bit description

Bit	Symbol	Description	Reset value	Access
15:0	A	calibration factor 'A' unsigned fixed point (10.6) 2-complement	0x0000	R/W
31:16	-	(reserved)	-	-

7.6.6 Temperature sensor Setup register 2 (SP2)

The SP2 register contains the calibration parameter 'B'.

Table 62. SP2 register (address 0x4006 0014) bit description

Bit	Symbol	Description	Reset value	Access
15:0	B	calibration factor 'B' signed fixed point (10.6) 2-complement	0x0000	R/W
31:16	-	(reserved)	-	-

7.6.7 Temperature sensor Setup register 3 (SP3)

The SP3 register contains the calibration parameter 'alpha'.

Table 63. SP3 register (address 0x4006 0018) bit description

Bit	Symbol	Description	Reset value	Access
15:0	ALPHA	calibration factor 'alpha' unsigned fixed point (6.10) 2-complement	0x0000	R/W
31:16	-	(reserved)	-	-

7.6.8 Temperature sensor low-temperature threshold register (TLO)

The TLO register contains the low-temperature threshold value, which is compared to the measured (calibrated) temperature. If the measured temperature is lower than the value in TLO and the corresponding bit in the IMSC register is set, then an interrupt is generated.

Table 64. TLO register (address 0x4006 001C) bit description

Bit	Symbol	Description	Reset value	Access
15:0	TLO	low-temperature threshold value in signed fixed point (10.6) 2-complement	0x8000	R/W
31:16	-	(reserved)	-	-

7.6.9 Temperature sensor high-temperature threshold register (THI)

The THI register contains the high-temperature threshold value, which is compared to the measured (calibrated) temperature. If the measured temperature is higher than the value in THI and the corresponding bit in the IMSC register is set, then an interrupt is generated.

Table 65. THI register (address 0x4006 0020) bit description

Bit	Symbol	Description	Reset value	Access
15:0	THI	high-temperature threshold value in signed fixed point (10.6) 2-complement	0x7FFF	R/W
31:16	-	(reserved)	-	-

7.6.10 Temperature sensor Interrupt Mask Set/Clear Register (IMSC)

This register controls which interrupts are enabled.

Table 66. IMSC register (address 0x4006 0024) bit description

Bit	Symbol	Description	Reset value	Access
0	RDYI	software should set this bit to enable interrupt when a temperature conversion is ready on DR	0	R/W
1	TLOE	software should set this bit to enable interrupt when a temperature conversion is lower than the value stored in TLO	0	R/W
2	THIE	software should set this bit to enable interrupt when a temperature conversion is higher than the value stored in THI	0	R/W
31:3	-	(reserved)	-	-

7.6.11 Temperature sensor Raw Interrupt Status Register (RIS)

This read-only register contains a logic 1 for each interrupt condition that is asserted, regardless of whether the interrupt is enabled in the IMSC register.

Table 67. RIS register (address 0x4006 0028) bit description

Bit	Symbol	Description	Reset value	Access
0	RDYI	this bit is logic 1 when a temperature conversion has finished	0	R
1	LOI	software should set this bit to enable interrupt when a temperature conversion is below the value stored in TLO	0	R
2	HII	this bit is logic 1 when a temperature conversion has finished and the value exceeds the THI threshold value	0	R
31:3	-	(reserved)	-	-

7.6.12 Temperature sensor Register Masked Interrupt Status Register (MIS)

This read-only register contains a logic 1 for each interrupt condition that is asserted and enabled in the IMSC registers. When a temperature sensor interrupt occurs, the interrupt service routine should read this register to determine the cause or causes of the interrupt.

Table 68. MIS register (address 0x4006 002C) bit description

Bit	Symbol	Description	Reset value	Access
0	RDYI	this bit is logic 1 when a temperature conversion has finished and this interrupt is enabled	0	R
1	LOI	this bit is logic 1 when a temperature conversion has finished, if the value is below the LOI threshold value, and this interrupt is enabled	0	R
2	HII	this bit is logic 1 when a temperature conversion has finished, if the value exceeds the THI threshold value, and this interrupt is enabled	0	R
31:3	-	(reserved)	-	-

7.6.13 Temperature sensor Register Interrupt Clear Register (ICR)

Software can write one or more one(s) to this write-only register, to clear the corresponding interrupt condition or conditions in the temperature sensor controller. **Note:** the interrupt conditions can be cleared by reading the DR register or disabled by clearing the corresponding bit in IMSC registers.

Table 69. ICR register (address 0x4006 0030) bit description

Bit	Symbol	Description	Reset value	Access
0	RDYC	writing a logic 1 clears the temperature sensor conversion ready interrupt	0	W
1	TLOC	writing a logic 1 clears the temperature sensor low threshold interrupt	0	W
2	THIC	writing a logic 1 clears the temperature sensor high threshold interrupt	0	W
31:3	-	(reserved)	-	-

8. Current-to-Digital converter (I2D)

8.1 About this chapter

This chapter describes the setup and use of the Current-to-Digital converter

8.2 Introduction

One of the available components of the NHS31xx family is a Current-to-Digital converter. This Current-to-Digital converter is based on a 16-bit I/F converter with selectable integration time.

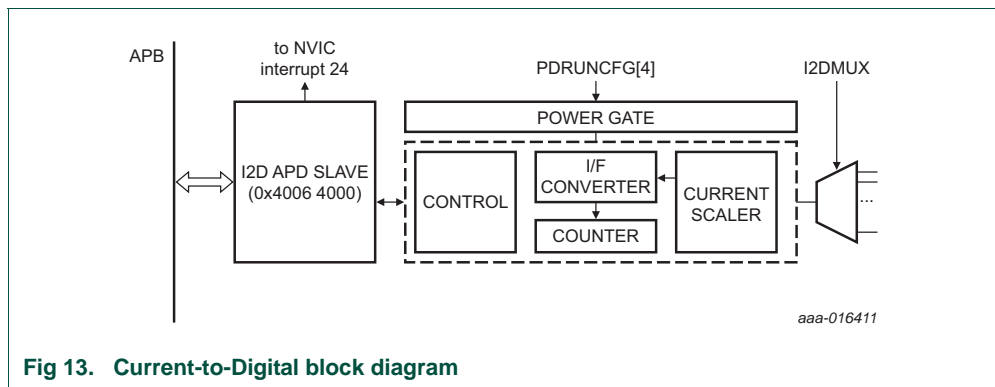


Fig 13. Current-to-Digital block diagram

8.3 Input multiplexer

The input to the Current-to-Digital converter is connected to the analog buses and on-chip transducers via an analog multiplexer. [Table 70](#) shows the inputs of the multiplexer.

Table 70. Connections to the Current-to-Digital analog input multiplexer

AMUX input	Source	Description
0	ana_extbus0	(external) pin ANA0_0
1	ana_extbus1	(external) pin ANA0_1
2	ana_extbus2	(external) pin ANA0_2
3	ana_extbus3	(external) pin ANA0_3
4	ana_extbus4	(external) pin ANA0_4
5	ana_extbus5	(external) pin ANA0_5

8.4 Register descriptions

The register addresses for the Current-to-Digital converter are listed in [Table 71](#). The register base address is 0x4006 8000.

The reset values reflect the data stored in used bits only, it does not include the content of reserved bits.

Table 71. Register overview: Current-to-Digital converter (base address 0x4006 8000)

Name	Access	Address offset	Description	Reset value [1]
CR	R/W	0x000	control register	0x0000 0000
DR	R	0x004	data register. Contains result of conversion	0x0000 0000
SR	R	0x008	status register	0x0000 0000
SP0	R/W	0x00C	setup register 0: set ADC mode settings	0x0000 0043
SP1	R/W	0x010	setup register 1: integration time settings	0x0000 0000
SP2	R/W	0x014	setup register 2: integration time calibration	0x0000 0009
SP3	R/W	0x018	setup register 3: input gain settings	0x0000 0000
MUXA	R/W	0x01C	input multiplexer settings	0x0000 0000
TLO	R/W	0x020	low value threshold register	0x0000 0000
THI	R/W	0x024	high value threshold register	0x0000 FFFF
IMSC	R/W	0x028	interrupt Mask Set and Clear Register	0x0000 0000
RIS	R	0x02C	raw Interrupt Status Register	0x0000 0000
MIS	R	0x030	masked Interrupt Status Register	0x0000 0000
ICR	W	0x034	interrupt Clear Register	n/a

[1] Reset Value reflects the data stored in used bits only. It does not include content of reserved bits.

8.4.1 Current-to-Digital control register (CR)

The Current-to-Digital converter control register sets the operation mode and start/stops the conversions.

Table 72. CR register (address 0x4006 8000) bit description

Bit	Symbol	Description	Reset value	Access
0	START	start bit. I2D clears this bit at the end of the measurement.	0	R/W
1	STOP	stop bit. This bit stops the converter after the ongoing conversion in Continuous mode. There is no effect in single-shot mode	0	W
2	MODE	Conversion mode: (0) single-shot, (1) continuous	0	R/W
31:3	-	(reserved)	0	-

8.4.2 Current-to-Digital data register (DR)

The DR register holds a value proportional to the measured current as determined by the Current-to-Digital converter at the given input scaling. Reading the DR register clears the Current-to-Digital interrupts.

Table 73. DR register (address 0x4006 8004) bit description

Bit	Symbol	Description	Reset value	Access
15:0	DATA	result of last conversion, unsigned 16-bit integer	0	R
16	OFW	(0) input in range, (1) overflow	0	R
31:17	-	(reserved)	0	-

8.4.3 Current-to-Digital status register (SR)

The SR register holds the status of the Current-to-Digital converter.

Table 74. SR register (address 0x4006 8008) bit description

Bit	Symbol	Description	Reset value	Access
0	OFW	input out of range (overflow) ^[1]	0	R
1	UFW	input out of range (underflow) ^[2]	0	R
31:2	-	(reserved)	0	-

[1] Range too low indicates that the converted digital value is too high for the configured range. The 16-bit DATA value in the DR register is inaccurate.

[2] Range too high indicates that the converted digital value is too low for the configured range. The 16-bit DATA value in the DR register is inaccurate.

8.4.4 Current-to-Digital setup register 0 (SP0)

The SP0 register controls the resolution and mode settings for the ADC of the Current-to-Digital converter.

Table 75. SP0 register (address 0x4006 800C) bit description

Bit	Symbol	Value	Description	Reset value	Access
2:0	INT		integration time setting	0	R/W
		000b	(reserved)		
		001b	16 ms		
		010b	20 ms		
		011b	100 ms		
		100b	200 ms		
		101b	400 ms		
		110b	(reserved)		
		111b	custom integration time as defined by the SP1 register		
5:3	-	-	(reserved)	0	-
6	GAIN0	-	ADC internal gain setting	1	R/W
		0	high gain		
		1	low gain		
7	-	-	(reserved)	0	R/W
8	SELIOFF	-	enable offset current	0	R/W
9	IOFF0	-	select offset current 0	0	R/W
10	IOFF1	-	select offset current 1	0	R/W
31:11	-	-	(reserved)	0	-

8.4.5 Current-to-Digital setup register 1 (SP1)

The SP1 register contains the custom integration time.

Table 76. SP1 register (address 0x4006 8010) bit description

Bit	Symbol	Description	Reset value	Access
15:0	CINT	custom integration time in ms	0	R/W
31:16	-	(reserved)	0	-

8.4.6 Current-to-Digital setup register 2 (SP2)

The SP2 register contains calibration setting for the integration time (system clock to time calibration factor). When a custom integration time is selected in register SP0, this register has to be reset to 999 (decimal).

Table 77. SP2 register (address 0x4006 8014) bit description

Bit	Symbol	Description	Reset value	Access
13:0	CAL	integration time calibration to clock × clock pulse to count 1 ms	9h	R/W
31:14	-	(reserved)	0	-

8.4.7 Current-to-Digital Setup Register 3 (SP3)

The SP3 register contains the settings of the input current scaler.

Table 78. SP3 register (address 0x4006 8018) bit description

Bit	Symbol	Value	Description	Reset value	Access
0	GAIN_EN	-	input gain amplifier enable / bypass	1	R/W
		0	gain amplifier bypassed		
		1	gain amplifier enabled		
3:1	IGAIN [1]		input gain / attenuation settings	0	R/W
		000b	no gain (analog input 1:1 output to I/F)		
		001b	multiply input current by 2 (1:2)		
		010b	multiply input current by 10 (1:10)		
		011b	divide input current by 2 (2:1)		
		100b	divide input current by 10 (10:1)		
		101b	divide input current by 100 (100:1)		
		110b	(reserved)		
111b	(reserved)				
31:4			(reserved)	0	-

[1] Not all combinations of IGAIN and GAIN0 are possible

8.4.8 Current-to-Digital input multiplexer (MUX)

The MUX register contains the settings for the multiplexer of the Current-to-Digital converter.

Table 79. MUX register (address 0x4006 801C) bit description

Bit	Symbol	Description	Reset value	Access
5:0	MUX	each bit represents an input of the switching matrix. Logic 1: connected to input, logic 0: disconnected	0	R/W
31:6	-	(reserved)	0	-

8.4.9 Current-to-Digital low-value threshold register (TLO)

The TLO register contains the low threshold value. If the measured bit value is lower than this threshold value, and if corresponding bit in the IMSC register is set, then an interrupt is generated.

Table 80. TLO register (address 0x4006 4020) bit description

Bit	Symbol	Description	Reset value	Access
15:0	TLO	low threshold value	0	R/W
31:16	-	(reserved)	0	-

8.4.10 Current-to-Digital high-value threshold register (THI)

The THI register contains the high threshold value. If the measured bit value is higher than this threshold value, and if corresponding bit in the IMSC register is set, then an interrupt is generated.

Table 81. THI register (address 0x4006 4024) bit description

Bit	Symbol	Description	Reset value	Access
15:0	THI	high threshold value.	0xFFFF	R/W
31:16	-	(reserved)	0	-

8.4.11 Current-to-Digital interrupt mask Set/Clear register (IMSC)

This register controls whether each of the three possible interrupt conditions in the Current-to-Digital converter are enabled.

Table 82. IMSC register (address 0x4006 8028) bit description

Bit	Symbol	Description	Reset value	Access
0	RDYI	software should set this bit to enable interrupt when a conversion value is ready in DR	0	R/W
1	LO	software should set this bit to enable interrupt when the value of the conversion is lower than the value stored in TLO	0	R/W
2	HI	software should set this bit to enable interrupt when the conversion is higher than the value stored in THI	0	R/W
31:3	-	(reserved)	0	-

8.4.12 Current-to-Digital raw interrupt status register (RIS)

This read-only register contains a logic 1 for each interrupt condition that is asserted, regardless of whether the interrupt is enabled in the IMSC register.

Table 83. RIS register (address 0x4006 802C) bit description

Bit	Symbol	Description	Reset value	Access
0	RDYI	this bit is logic 1 when an I2D conversion has finished	0	R
1	LO	this bit is logic 1 when an I2D conversion has finished and the value is below the threshold value set in the TLO register	0	R
2	HI	this bit is logic 1 when an I2D conversion has finished and the value exceeds the threshold value set in the THI register	0	R
31:3	-	(reserved)	0	-

8.4.13 Current-to-Digital masked interrupt status register (MIS)

This read-only register contains a logic 1 for each interrupt condition that is asserted and enabled in the IMSC registers. When an I2D converter interrupt occurs, the interrupt service routine should read this register to determine the cause or causes of the interrupt.

Table 84. MIS register (address 0x4006 8030) bit description

Bit	Symbol	Description	Reset value	Access
0	RDYI	this bit is logic 1 when an I2D conversion has finished and this interrupt is enabled	0	R
1	LO	this bit is logic 1 when an I2D conversion has finished, the value is below the TLO threshold value and this interrupt is enabled	0	R
2	HI	this bit is logic 1 when an I2D conversion has finished, the value exceeds the THI threshold value and this interrupt is enabled	0	R
31:3	-	(reserved)	0	-

8.4.14 Current-to-Digital interrupt clear register (ICR)

Software can write one or more one(s) to this write-only register, to clear the corresponding interrupt condition or conditions in the Current-to-Digital converter. **Note:** the other two interrupt conditions can be cleared by reading the DR register or disabled by clearing the corresponding bit in IMSC registers.

Table 85. ICR register (address 0x4006 4034) bit description

Bit	Symbol	Description	Reset value	Access
0	RDYI	writing a logic 1 clears the conversion ready interrupt	0	W
1	LO	writing a logic 1 clears the low threshold interrupt	0	W
2	HI	writing a logic 1 clears the high threshold interrupt	0	W
31:3	-	(reserved)	0	-

9. Capacitance-to-Digital converter (C2D)

9.1 About this chapter

This chapter describes the setup and use of the Capacitance-to-Digital converter.

9.2 Introduction

One of the available components of the NHS31xx family is an analog interface designed for capacitive measurements. This Capacitance-to-Digital converter can be set from 0.1 pF to 4 pF offset, up to 1 pF dynamic range. It has 12 pF to 15 pF parasitic ground rejection.

9.3 Features

- 16-bit Capacitance-to-Digital conversion
- Fully differential incremental delta-sigma modulator
- Programmable offset-subtraction capacitors
- Programmable reference capacitors
- Three self-calibration capacitor matched pairs connected to input multiplexer

9.4 General description

The Capacitance-to-Digital converter is based on a third-order differential delta-sigma converter.

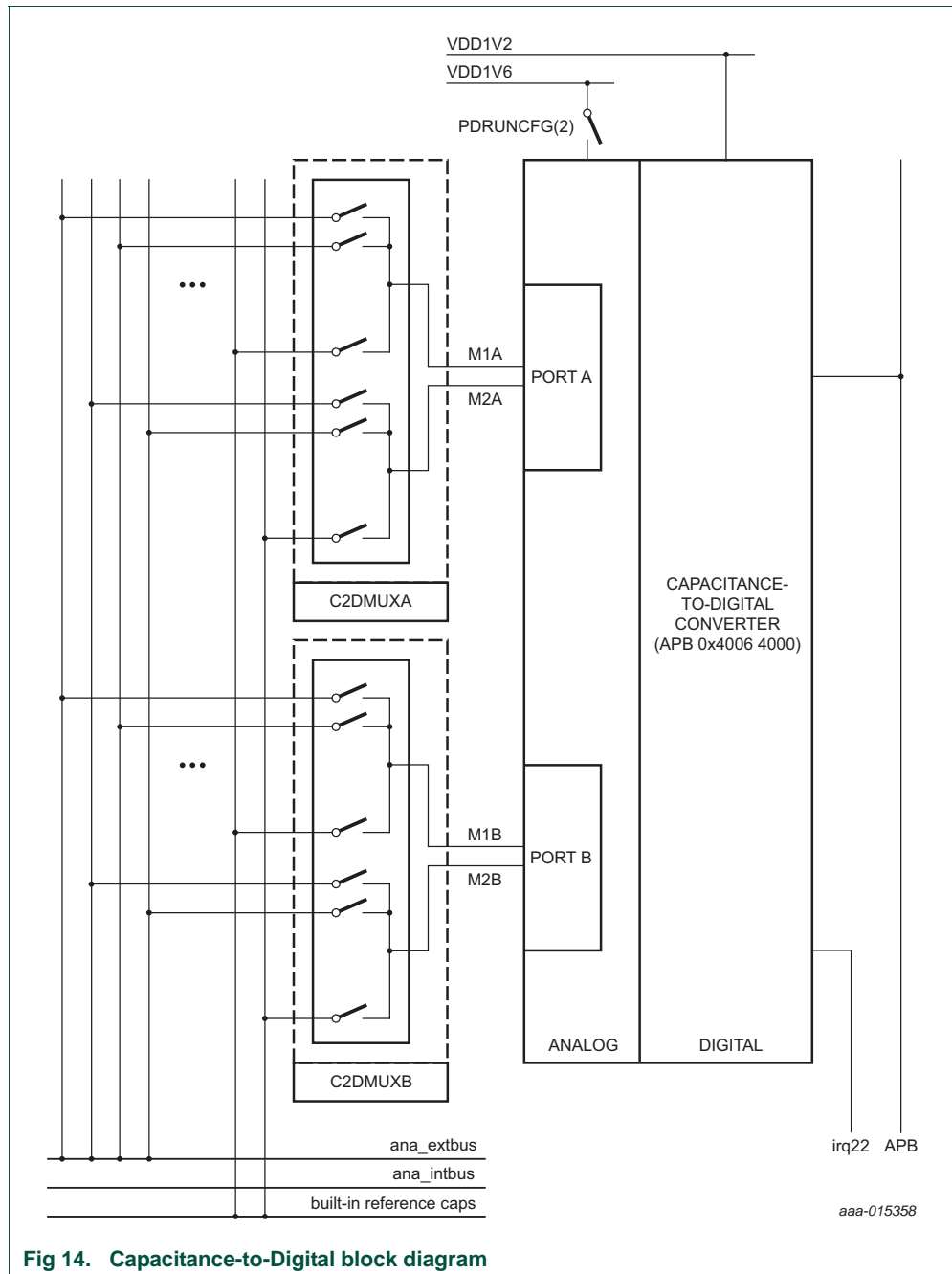


Fig 14. Capacitance-to-Digital block diagram

The Capacitance-to-Digital converter has user-definable offset and dynamic range capacitors to adjust the DC offset and dynamic range. The output of the sensor is a bit density corresponding to:

$$\mu = \frac{C_x - C_{off} + C_{dyn}}{2C_{dyn}} \quad (3)$$

where $C_x = (C_A + C_B) / 2C_A$ and C_B are the capacitors connected to the two input ports of the converter and C_{dyn} is the dynamic range capacitance.

The C2D needs a pair of matched capacitors connected to its inputs for a high-precision measurement. There are two input multiplexers, each with 7 inputs. It is possible to connect any combination of capacitors to each multiplexer, however a capacitor can only be connected once.

9.5 Usage

The input of the Capacitance-to-Digital converter is connected to the analog buses via an input switch matrix. Inputs are in pairs (since capacitors are two-terminal devices). There are two switch matrices, one for input port A and one for input port B.

Table 86. Connections to the analog input multiplexers.

AMUX input pair	Source	Description
0	ana_extbus0/1	(external) pin ANA0_0 and ANA0_1
1	ana_extbus2/3	(external) pin ANA0_2 and ANA0_3
2	ana_extbus4/5	(external) pin ANA0_4 and ANA0_5
3	(reserved)	(reserved)
4	(reserved)	(reserved)
5	(reserved)	(reserved)
6	(reserved)	(reserved)
7	(reserved)	(reserved)
8	(reserved)	(reserved)
9	(reserved)	(reserved)
10	(reserved)	(reserved)
11	Cref_200f	200 fF reference capacitor
12	Cref_400f	400 fF reference capacitor
13	Cref_600f_1	600 fF reference capacitor
14	Cref_600f_2	600 fF reference capacitor
15	Cref_1200f	1200 fF reference capacitor
16	Cref_1800f	1800 fF reference capacitor

9.5.1 Example 1

Connect AMUX input pair 6 via multiplexer A, and AMUX input pair 7 via multiplexer B. This configuration would measure the average capacitance of the transducers connected to ana_inbus0/1 and ana_intbus2/3. This configuration is a typical connection for a matched pair of relative humidity transducers for example.

9.5.2 Example 2

Connect a capacitor to AMUX input pair 3 via multiplexer A (external pins ana_extbus6/7) and another to AMUX input pairs 14 and 15 via multiplexer B. This configuration would measure the average capacitance of the load capacitor connected to ana_extbus6/7 and to 1800 fF (Cref_600f_1 + Cref_1200f). This example demonstrates a single-ended measurement.

9.6 Register descriptions

The register addresses for the Capacitance-to-Digital converter are listed in [Table 71](#).

Table 87. Register overview: Capacitance-to-Digital converter (base address 0x4006 4000)

Name	Access	Address offset	Description	Reset value [1]
CR	R/W	0x000	control register	0x0000 0000
DR	R	0x004	data register. Contains result of conversion	0x0000 0000
SR	R	0x008	status register	0x0000 0000
SP0	R/W	0x00C	setup register 0: Set ADC and operation modes	0x0000 0000
SP1	R/W	0x010	setup register 1: Offset capacitor settings	0x0000 0000
SP2	R/W	0x014	setup register 2: Dynamic range capacitor settings	0x0000 0000
MUXA	R/W	0x018	input multiplexer settings for input A	0x0000 0000
MUXB	R/W	0x01C	input multiplexer settings for input B	0x0000 0000
TLO	R/W	0x020	low value threshold register	0x0000 0000
THI	R/W	0x024	high value threshold register	0x0000 0000
IMSC	R/W	0x028	interrupt Mask Set and Clear Register	0x0000 0000
RIS	R	0x02C	raw Interrupt Status Register	0x0000 0000
MIS	R	0x030	masked Interrupt Status Register	0x0000 0000
ICR	W	0x034	interrupt Clear Register	n/a

[1] Reset Value reflects the data stored in used bits only. It does not include content of reserved bits.

9.6.1 Capacitance-to-Digital control register (CR)

The Capacitance-to-Digital converter control register.

Table 88. CR register (address 0x4006 4000) bit description

Bit	Symbol	Description	Reset value	Access
0	START	start bit. The C2D clears this bit at the end of the measurement	0	R/W
1	STOP	stop bit. This bit stops the converter after the ongoing conversion in Continuous mode. No effect in single-shot mode	0	-
2	MODE	C2D Operating mode. Logic 0: Single-shot, Logic 1: continuous	0	-
31:3	-	(reserved)	-	-

9.6.2 Capacitance-to-Digital data register (DR)

The DR register holds the bit density proportional to the measured capacitance as determined by the Capacitance-to-Digital converter. Reading the DR register clears the Capacitance-to-Digital interrupts.

Table 89. DR register (address 0x4006 4004) bit description

Bit	Symbol	Description	Reset value	Access
15:0	DATA	result of last conversion, unsigned 16-bit integer	0	R
31:16	-	(reserved)	-	-

9.6.3 Capacitance-to-Digital status register (SR)

The SR register holds the status of the Capacitance-to-Digital converter.

Table 90. SR register (address 0x4006 4008) bit description

Bit	Symbol	Description	Reset value	Access
6:0	-	(reserved)	-	-
7	MUXERR	logic 0: No error. logic 1: Input multiplexer configuration error. The same input is connected to both C2D inputs A and B	0	R
31:8	-	(reserved)	-	-

9.6.4 Capacitance-to-Digital setup register 0 (SP0)

The SP0 register controls the resolution and mode settings for the ADC of the Capacitance-to-Digital converter.

Table 91. SP0 register (address 0x4006 400C) bit description

Bit	Symbol	Value	Description	Reset value	Access
0	-	-	(reserved)	-	-
3:1	RESMODE		C2D Resolution mode:	111b	R/W
		000b	8-bit mode		
		001b	10-bit mode		
		010b	11-bit mode		
		011b	12-bit mode		
		100b	13-bit mode		
		101b	14-bit mode		
		110b	15-bit mode		
		111b	16-bit mode		
31:4	-	-	(reserved)	-	-

[1] This setting doubles the conversion time, and is recommended for use in single-ended measurements.

9.6.5 Capacitance-to-Digital setup register 1 (SP1)

The SP1 register contains the offset capacitor settings. The same offset is applied to the 'A' and 'B' inputs of the converter. This parameter determines the zero-point of the converter.

Table 92. SP1 register (address 0x4006 4010) bit description

Bit	Symbol	Description	Reset value	Access
5:0	COFFSET	offset capacitor value in multiples of 100 fF, range 1 to 40 (100 fF to 4000 fF)	10 0000b	R/W
31:6	-	(reserved)	-	-

9.6.6 Capacitance-to-Digital setup register 2 (SP2)

The SP2 register contains the dynamic range capacitor settings. The same dynamic range capacitor value is applied to the 'A' and 'B' inputs of the converter. This parameter determines the dynamic range of the converter.

Table 93. SP2 register (address 0x4006 4014) bit description

Bit	Symbol	Value	Description	Reset value	Access
1:0	CREF	-	dynamic range capacitor selection	0	R/W
		00b	select 400 fF dynamic range capacitor		
		01b	select 800 fF dynamic range capacitor		
		10b	select 1 pF dynamic range capacitor		
		11b	(reserved)		
31:2	-	-	(reserved)	0	-

9.6.7 Capacitance-to-Digital A-input switch matrix (MUXA)

The MUXA register contains the settings for the switch matrix for the 'A' input of the Capacitance-to-Digital converter. Refer to [Section 9.5](#) for more information.

Table 94. MUXA register (address 0x4006 4018) bit description

Bit	Symbol	Value	Description	Reset value	Access
16:0	MUXA	-	each bit represents an input of the switch matrix	0	R/W
		0	connected to input A		
		1	disconnected		
31:17	-	-	(reserved)	0	-

9.6.8 Capacitance-to-Digital B-input switch matrix (MUXB)

The MUXB register contains the settings for the switch matrix for the 'B' input of the Capacitance-to-Digital converter. If (MUXA AND MUXB) <> 0x0000 0000, the MUXERR condition is raised and no conversion is possible.

Table 95. MUXB register (address 0x4006 401C) bit description

Bit	Symbol	Value	Description	Reset value	Access
16:0	MUXA	-	each bit represents an input of the switch matrix	0	R/W
		0	connected to input B		
		1	disconnected		
31:17	-	-	(reserved)	0	-

9.6.9 Capacitance-to-Digital low-value threshold register (TLO)

The TLO register contains the low threshold value. If the measured bit value is lower than this threshold value, and if corresponding bit in the IMSC register is set, then an interrupt is generated.

Table 96. C2DTLO register (address 0x4006 4020) bit description

Bit	Symbol	Description	Reset value	Access
15:0	TLO	low threshold value	0	R/W
31:16	-	(reserved)	-	-

9.6.10 Capacitance-to-Digital high-value threshold register (THI)

The THI register contains the high threshold value. If the measured bit value is higher than this threshold value, and if corresponding bit in the IMSC register is set, then an interrupt is generated.

Table 97. THI register (address 0x4006 4024) bit description

Bit	Symbol	Description	Reset value	Access
15:0	THI	high threshold value	0	R/W
31:16	-	(reserved)	-	-

9.6.11 Capacitance-to-Digital interrupt mask set/clear register (IMSC)

This register controls whether each of the three possible interrupt conditions in the Capacitance-to-Digital converter are enabled.

Note: ARM uses the word 'masked' in the opposite sense from classic computer terminology, in which 'masked' meant 'disabled'. ARM uses the word 'masked' to mean 'enabled'. To avoid confusion, we do not use the word 'masked'.

Table 98. IMSC register (address 0x4006 4028) bit description

Bit	Symbol	Description	Reset value	Access
0	RDYE	software should set this bit to enable interrupt when a conversion value is ready in DR	0	R/W
1	TLOE	software should set this bit to enable interrupt when the value of the conversion is lower than the value stored in TLO	0	R/W
2	THIE	software should set this bit to enable interrupt when the conversion is higher than the value stored in THI	0	R/W
31:3	-	(reserved)	-	-

9.6.12 Capacitance-to-Digital raw interrupt status register (RIS)

This read-only register contains a logic 1 for each interrupt condition that is asserted, regardless of whether the interrupt is enabled in the IMSC register.

Table 99. RIS register (address 0x4006 402C) bit description

Bit	Symbol	Description	Reset value	Access
0	RDYI	this bit is logic 1 when a Capacitance-to-Digital conversion has finished	0	R
1	LOI	this bit is logic 1 when a Capacitance-to-Digital conversion has finished and the value is below the threshold value set in the TLO register	0	R
2	DHII	this bit is logic 1 when a Capacitance-to-Digital conversion has finished and the value exceeds the threshold value set in the THI register	0	R
31:3	-	(reserved)	-	-

9.6.13 Capacitance-to-Digital masked interrupt status register (MIS)

This read-only register contains a logic 1 for each interrupt condition that is asserted and enabled in the IMSC register. When a C2D converter interrupt occurs, the interrupt service routine should read this register to determine the cause or causes of the interrupt.

Table 100. MIS register (address 0x4006 4030) bit description

Bit	Symbol	Description	Reset value	Access
0	RDYI	this bit is logic 1 when a C2D conversion has finished and this interrupt is enabled	0	R
1	TLOI	this bit is logic 1 when a C2D conversion has finished, the value is below the TLO threshold value and this interrupt is enabled	0	R
2	THII	this bit is logic 1 when a C2D conversion has finished, the value exceeds the THI threshold value and this interrupt is enabled	0	R
31:3	-	(reserved)	-	-

9.6.14 Capacitance-to-Digital interrupt clear register (ICR)

Software can write one or more one(s) to this write-only register, to clear the corresponding interrupt condition or conditions in the Capacitance-to-Digital converter.

Note: the other two interrupt conditions can be cleared by reading the DR register or disabled by clearing the corresponding bit in IMSC register.

Table 101. ICR register (address 0x4006 4034) bit description

Bit	Symbol	Description	Reset value	Access
0	RDYC	writing a logic 1 clears the conversion ready interrupt	0	W
1	TLOC	writing a logic 1 clears the Low threshold interrupt	0	W
2	THIC	writing a logic 1 clears the high threshold interrupt	0	W
31:3	-	(reserved)	-	-

10. Analog-to-Digital / Digital-to-Analog converter (ADCDAC0)

10.1 About this chapter

This chapter describes the setup and use of the Analog-to-Digital / Digital-to-Analog converter.

10.2 Features

- 12-bit ADC operation at 80 kSamples/s.
- 12-bit DAC operation with hold amplifier.

10.3 General description

The ADCDAC0 peripheral is based on a 12-bit successive-approximation charge-redistribution analog-to-digital converter. The peripheral acts as either an analog-to-digital converter or a digital-to-analog converter, depending on which start bit is written to the control register CR. Requests are handled in round-robin fashion.

Due to the hold amplifier, the DAC output remains constant while the block is used as an ADC.

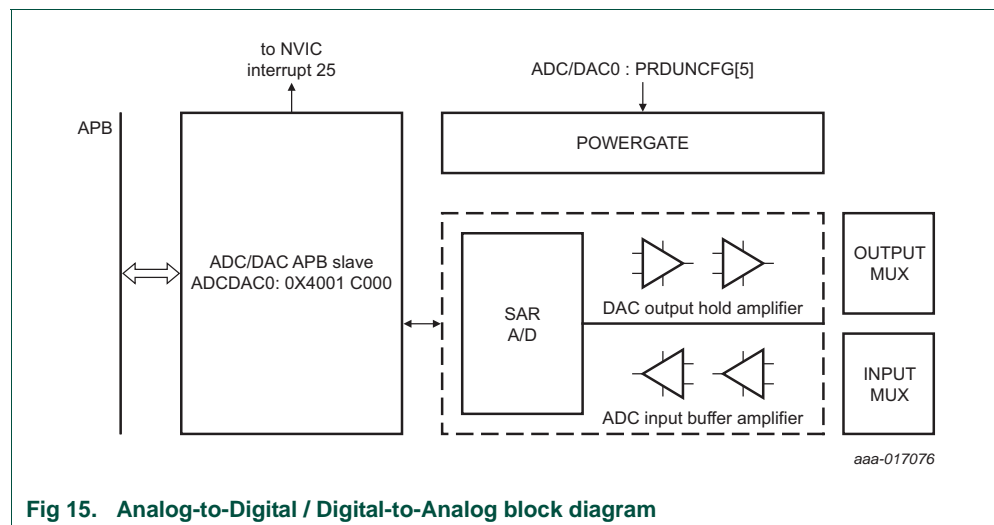


Fig 15. Analog-to-Digital / Digital-to-Analog block diagram

10.4 Input multiplexer and output switch matrix

The ADC input and DAC output are connected to the analog buses and on-chip transducers via an analog multiplexer. [Table 102](#) shows the connections of the multiplexer.

Table 102. Connections to ADC input and output multiplexers

AMUX input	Source / target	Description
0	ana_extbus0	(external) pin ANA0_0
1	ana_extbus1	(external) pin ANA0_1
2	ana_extbus2	(external) pin ANA0_2
3	ana_extbus3	(external) pin ANA0_3
4	ana_extbus4	(external) pin ANA0_4
5	ana_extbus5	(external) pin ANA0_5
6	(reserved)	(reserved)
7	(reserved)	(reserved)
8	(reserved)	(reserved)
9	(reserved)	(reserved)
10	(reserved)	(reserved)
11	(reserved)	(reserved)

10.5 Register descriptions

The register addresses for the Analog-to-Digital / Digital-to-Analog converter are listed in [Table 103](#).

Table 103. Register overview: Analog-to-Digital / Digital-to-Analog converter (base address 0x4001 C000)

Name	Access	Address offset	Description	Reset value ^[1]
CR	R/W	0x000	control register	0x0000 0000
ADCDR	R	0x004	ADC Data register. Contains result of Analog-to-Digital conversion	0x0000 0000
DACDR	W	0x008	DAC Data register. Contains value to be converted to analog voltage	0x0000 0000
SP0	R/W	0x010	ADCDAC setup register	0x0000 0000
ADCMUX	R/W	0x018	ADC input multiplexer setting	0x0000 0000
DACMUX	R/W	0x01C	DAC output switch setting	0x0000 0000
ADCTLO	R/W	0x020	low value threshold register	0x0000 0000
ADCTHI	R/W	0x024	high value threshold register	0x0000 0000
IMSC	R/W	0x028	interrupt Mask Set and Clear register	0x0000 0000
RIS	R	0x02C	raw Interrupt Status register	0x0000 0008
MIS	R	0x030	masked Interrupt Status register	0x0000 0000
ICR	W	0x034	interrupt Clear register	n/a

[1] Reset Value reflects the data stored in used bits only. It does not include content of reserved bits.

10.5.1 ADC Control register (CR)

The ADCDAC control register controls the operation of the SAR ADC/DAC.

Table 104. CR register (address 0x4001 C000) bit description

Bit	Symbol	Description	Reset value	Access
0	ADCSTART	start bit for Analog-to-Digital conversion. ADCDAC clears this bit at the end of the measurement	0	R/W
1	DACSTART	start bit for Digital-to-Analog conversion. When the analog level is available on the output bus, the ADCDAC clears this bit	0	R/W
2	ADCCONT	set ADC to Continuous mode	0	R/W
3	DACCONT	set DAC to Continuous mode	0	R/W
4	ADCSTOP	stop ADC conversion after current conversion (in Continuous mode)	0	R/W
5	DACSTOP	stop DAC conversion after current conversion (in Continuous mode)	0	R/W
31:6	-	(reserved)	-	-

10.5.2 ADC Data register (ADCDR)

The ADCDR register holds a value proportional to the measured voltage as determined by the Analog-to-Digital converter.

Table 105. ADCDR register (address 0x4001 C004) bit description

Bit	Symbol	Description	Reset value	Access
11:0	ADCDATA	result of last conversion, unsigned 12-bit integer	0x000	R
31:12	-	(reserved)	-	-

10.5.3 DAC Data register (DACDR)

The DACDR register holds the value to be converted to a voltage. This conversion will occur at the next write of the DACSTART bit in the CR register.

Table 106. DACDR register (address 0x4001 C008) bit description

Bit	Symbol	Description	Reset value	Access
11:0	DACDATA	value to be converted to voltage, unsigned 12-bit integer	0x000	R
31:12	-	(reserved)	-	-

10.5.4 ADC Status register (SR)

The ADCSR register holds the status of the ADCDAC.

Table 107. SR register (address 0x4001 C00C) bit description

Bit	Symbol	Description	Reset value	Access
31:0	-	(reserved)	-	-

10.5.5 ADCDAC Setup register (ADCSP)

The ADCSP register holds the setup of the ADC.

Table 108. ADCSP register (address 0x4001 C010) bit description

Bit	Symbol	Value	Description	Reset value	Access
0	ADOFFSETCAL	-	measurement reference voltage. Setting should correspond to ADC input range setting.	1	R/W
		0	0.5 V		
		1	0.9 V		
1	ADWIDERANGE	-	input range	1	R/W
		0	0 - 1 V		
		1	0 - 1.6 V		
2	BOOSTSUPREF	1	boost the drive capability of the reference/supply buffers	0	R/W
3	CURRBACKUP	1	enable additional bias current within the reference block	0	R/W
4	LESSSLEW	1	boost current and therefore the speed of DAC output	0	R/W
5	SLOWCLK	1	reduce overall speed of ADCDAC	0	R/W
6	DYNAMICSLP	1	reduce the power of input and output amp if they are not used immediately	0	R/W
7	BOOSTINAMP	1	boost current and therefore speed of ADC input amplifier	0	R/W
8	BOOSTOUTAMP	1	boost current and therefore speed of DAC output amplifier	0	R/W
9	ONEACTIVE	1	disable the non-selected function (ADC or DAC)	0	R/W
31:10	-	-	(reserved)	-	-

10.5.6 ADC Input Multiplexer register (ADCMUX)

ADCMUX holds the settings for the input multiplexers.

Table 109. ADCMUX register (address 0x4001 C018) bit description

Bit	Symbol	Value	Description	Reset value	Access
19:0	ADCMUX	-	each bit represents an input of the switching matrix	0	R/W
		0	disconnected		
		1	connected to input		
31:20	-	-	(reserved)	-	-

10.5.7 DAC Output switch register (DACMUX)

DACSW holds the settings for the output switch matrix.

Table 110. DACMUX register (address 0x4001 C01C) bit description

Bit	Symbol	Value	Description	Reset value	Access
19:0	DACSW	-	each bit represents an input of the switching matrix	0	R/W
		0	disconnected		
		1	connected to input		
31:20	-	-	(reserved)	-	-

10.5.8 ADCDAC low-value threshold register (ADCTLO)

ADCTLO contains the low threshold value. The measured bit value is compared to this value. If the measured value is lower, and the corresponding bit in the ADCIMSC register is set, an interrupt is generated.

Table 111. ADCTLO register (address 0x4001 C020) bit description

Bit	Symbol	Description	Reset value	Access
15:0	ADCTLO	low threshold value	0x0000	R/W
31:16	-	(reserved)	-	-

10.5.9 ADCDAC high-value threshold register (ADCTHI)

ADCTHI contains the low threshold value. The measured bit value is compared to this value. If the measured value is higher, and the corresponding bit in the ADCIMSC register is set, an interrupt is generated.

Table 112. ADC0THI register (address 0x4001 C024) bit description

Bit	Symbol	Description	Reset value	Access
15:0	ADCTHI	high threshold value	0x0000	R/W
31:16	-	(reserved)	-	-

10.5.10 ADCDAC Interrupt Mask Set/Clear register (IMSC)

This register controls whether each of the three possible interrupt conditions in the ADC are enabled.

Table 113. IMSC register (address 0x4001 C028) bit description

Bit	Symbol	Description	Reset value	Access
0	DACRDYI	software should set this bit to enable interrupt when the DAC finished a conversion	0	R/W
1	ADCRDYI	software should set this bit to enable interrupt when an ADC conversion value is ready in ADCDR	0	R/W
2	ADCLO	software should set this bit to enable interrupt when the value of the conversion is lower than the value stored in ADCTLO	0	R/W
3	ADCHI	software should set this bit to enable interrupt when the value of the conversion is higher than the value stored in ADCTHI	0	R/W
31:4	-	(reserved)	-	-

10.5.11 ADCDAC Raw Interrupt Status register (RIS)

This read-only register contains a logic 1 for each interrupt condition that is asserted, regardless of whether the interrupt is enabled in the IMSC register.

Table 114. RIS register (address 0x4001 C02C) bit description

Bit	Symbol	Description	Reset value	Access
0	DACRDYI	this bit is logic 1 when a D/A conversion has finished	0	R
1	ADCRDYI	this bit is logic 1 when an A/D conversion has finished	0	R
2	ADCLOI	this bit is logic 1 when an A/D conversion has finished and the value is below the threshold value set in the ADCTLO register	0	R
3	ADCHII	this bit is logic 1 when an A/D conversion has finished and the value exceeds the threshold value set in the ADCTHI register	0	R
31:4	-	(reserved)	-	-

10.5.12 ADCDAC Masked Interrupt Status register (MIS)

This read-only register contains a logic 1 for each interrupt condition that is asserted and enabled in the IMSC register. When an ADCDAC interrupt occurs, the interrupt service routine should read this register to determine the cause or causes of the interrupt.

Table 115. MIS register (address 0x4001 C030) bit description

Bit	Symbol	Description	Reset value	Access
0	DACRDYI	this bit is logic 1 when a D/A conversion has finished and this interrupt is enabled	0	R
1	ADCRDYI	this bit is logic 1 when an A/D conversion has finished and this interrupt is enabled	0	R
2	ADCLOI	this bit is logic 1 when an A/D conversion has finished, the value is below the ADCTLO threshold value and this interrupt is enabled	0	R
3	ADCHII	this bit is logic 1 when an A/D conversion has finished, the value exceeds the ADCTHI threshold value and this interrupt is enabled	0	R
31:4	-	(reserved)	-	-

10.5.13 ADCDAC Interrupt Clear register (ICR)

Software can write one or more logic 1s to this write-only register, to clear the corresponding interrupt condition or conditions in the Capacitance-to-Digital converter.

Note: the other two interrupt conditions can be cleared by reading the ADCDR register or disabled by clearing the corresponding bit in the IMSC register.

Table 116. ADC0ICR register (address 0x4001 C034) bit description

Bit	Symbol	Description	Reset value	Access
0	DACRDYIC	writing a logic 1 clears the D/A conversion ready interrupt	0	W
1	ADCRDYC	writing a logic 1 clears the A/D conversion ready interrupt	0	W
2	ADCLOC	writing a logic 1 clears the low threshold interrupt	0	W
3	ADCHIC	writing a logic 1 clears the high threshold interrupt	0	W
31:4	-	(reserved)	-	-

11. Analog signal buses

11.1 About this chapter

This chapter describes the Analog signal buses.

11.2 General description

The NHS31xx family has two sources of analog signals: external (via pads) and internal (from the built-in transducers or the DAC). The 'ana_ext' bus is connected through a 3.3 V selector to the analog pins, controlled by the IOCON_ANA0_x registers in the IOCON block (see [Section 24.3.13](#) to [Section 24.3.19](#)). The bus structure is shown schematically in [Figure 16](#).

Each analog signal bus can be grounded using the corresponding bit in the ANABUSGROUND register of IOCON.

To use an analog bus, the user should first disconnect the bus from VSS using the appropriate bit in the ANABUSGROUND register of the IOCON block. If the analog bus is to receive an external signal, the FUNC bit in the corresponding ANA0_x register should be set.

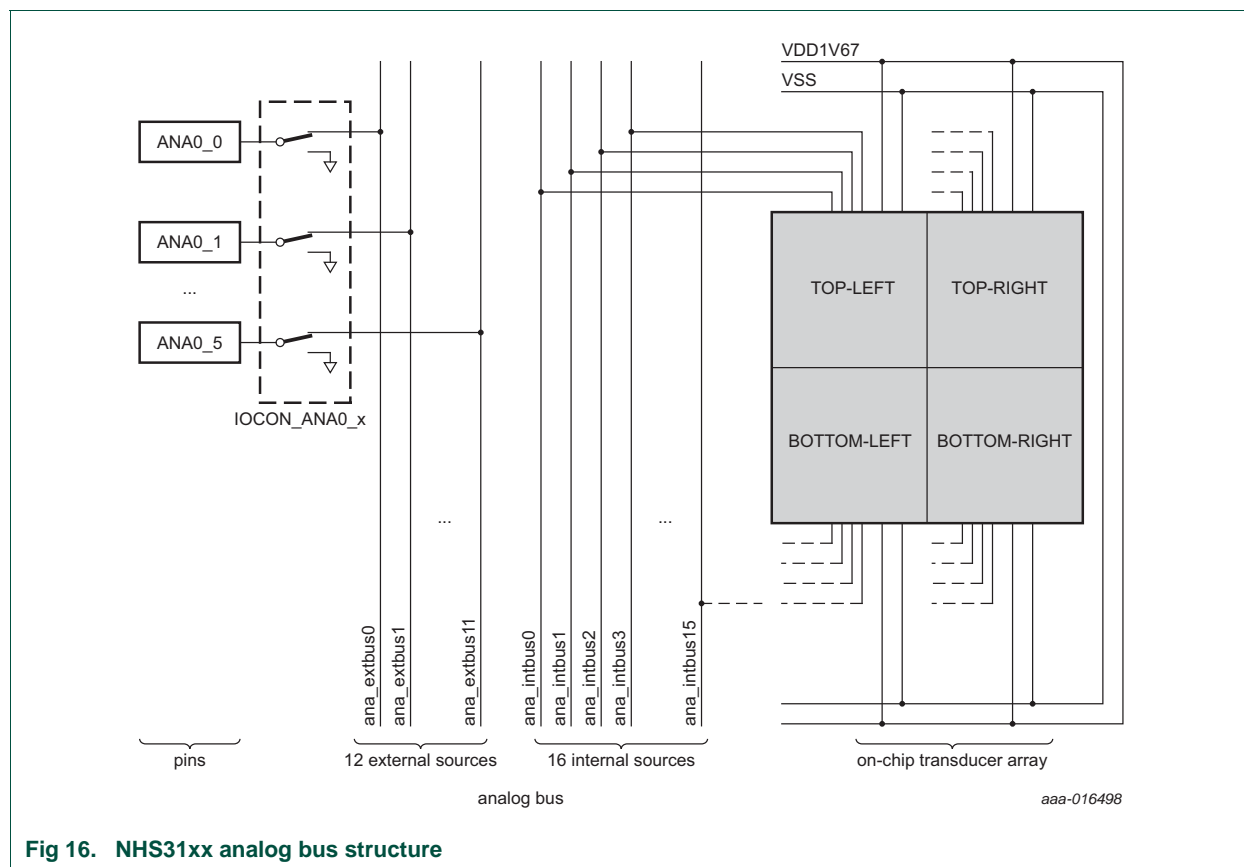


Fig 16. NHS31xx analog bus structure

The pads and built-in transducer array are connected to analog bus lines. The different converters connect through their own analog switch matrix to the bus lines.

12. RFID/NFC communication unit

12.1 About this chapter

This chapter describes the use of the RFID/NFC Communication unit.

12.2 Introduction

Near Field Communication (NFC) is a technology that enables smartphones, and many other devices, to establish radio communication by bringing them into close proximity. Typically NFC has a range of 10 cm (3.9 in) or less.

12.3 Features

- ISO/IEC 14443 A 1-3 compatible
- MIFARE (Ultralight) compatible
- NFC Forum Type 2 compatible
- Easy interfacing with standard user memory space READ/WRITE commands
- Passive operation possible
- 50 pF internal capacitance for compatibility with standard NFC antennas

12.4 General description

The RFID/NFC interface allows communication using 13.56 MHz proximity signaling. It is based on the MIFARE Ultralight EV1 PICC. The RFID interface works internally at 6.78 MHz. This clock is recovered from the RF field and is independent of the NHS31xx system clock.

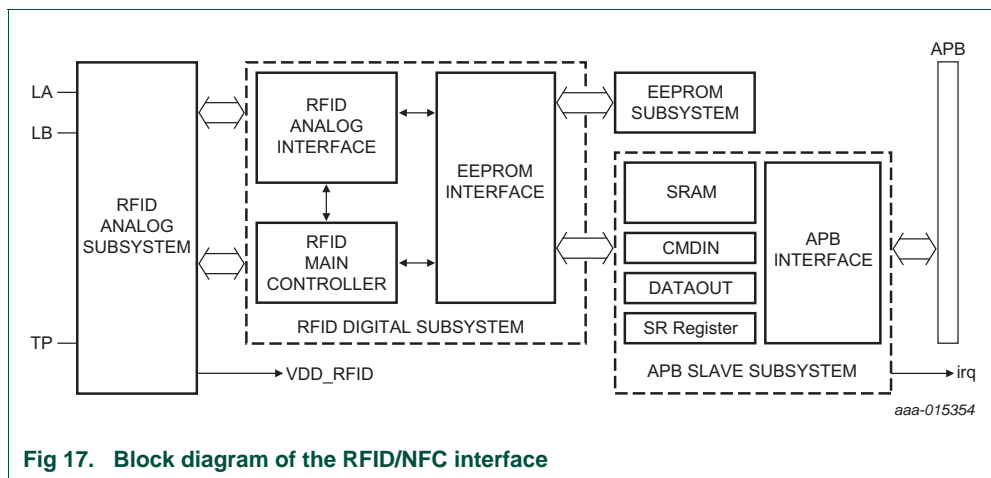


Fig 17. Block diagram of the RFID/NFC interface

The **CMDIN**, **CMDOUT**, **SR** and **SRAM** are mapped in the user memory space of the RFID core. The **RFID READ** and **WRITE** commands allow wireless communication via this shared memory. By only allowing access after password authentication by the MIFARE protocol, the **READ/WRITE** operation can be blocked.

The firmware running on the ARM Cortex-M0+ core interprets commands written to the CMDIN and CMDOUT registers. Typically, the reader would first gain access by SELECT and AUTH (if needed).

12.5 Pin description

The RFID communication module interfaces with the LA and LB external pins.

There is a 50 pF internal capacitance between the pins.

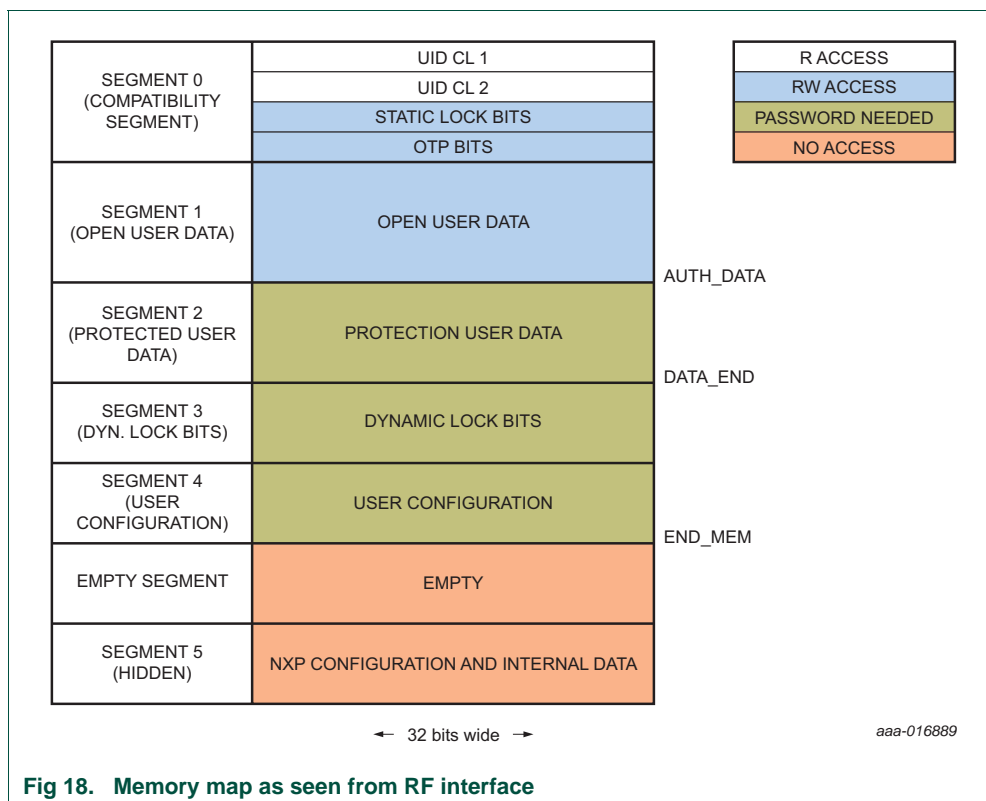
More background information can be found in [Ref. 2](#).

12.6 Functional description

Functionality and design of the MIFARE Ultralight EV1 is described in [Ref. 1](#). In this document, we only focus on the broad operation and interfacing with the APB.

12.6.1 ISO 14443 A and MIFARE operation

[Figure 18](#) shows the memory map as seen from RF interface. Segment 0 is 0x00 to 0x03. The user can set the boundary of Segment 1 to Segment 2.



The MIFARE Ultralight READ command always returns 4 pages of 4 bytes to the reader. Therefore, when reading between 0x5E and 0x61, the first 4 bytes are the value of the selected address, and the other 12 bytes are 0x0000 0000. Reading buffer memory addresses (0x04 to 0x7F) returns 4 pages of the buffer memory. When reading (0x80 to 0x83) it returns the pages 3, 2 and 1.

The remaining pages of the buffer are padded by 0x0000 0000. This padding is to avoid accessing the memory space beyond END_MEM. It is possible to FAST_READ pages 0x04 to 0x83. The MIFARE Ultralight WRITE command writes to one page by default. The COMP_WRITE command sends 16 data bytes to the NHS31xx, but only the least significant 4 bytes are written to the addressed page.

12.6.2 NHS31xx family communication protocol

Communication between the RFID/NFC reader and the NHS31xx is initiated once the reader selects NHS31xx via ISO14443 commands. Access to the shared memory space is arbitrated between the RF side and the APB side by the arbitration unit. RFID-EEPROM access is only possible from RFID the side, and only for addresses not masked by the shared memory or the shared registers.

The reader can execute READ or WRITE commands on the shared memory or on the registers. Interpretation of the communication / messages written to the SRAM is done by firmware.

12.7 Register descriptions

Data is stored in a communication buffer of 4 kbit (128 × 4 bytes), while commands are read or written from/to the CMDIN and CMDOUT registers.

The reset values reflect the data stored in used bits only, it does not include the content of reserved bits. The addresses of the SR, CMDIN, CMDOUT, and buffer memory are different when seen from APB ([Table 117](#)) or RFID side ([Table 118](#)).

Table 117. RFID/NFC communication block register and buffer memory space overview: APB side

Name	Access	Address offset	Description	Reset value
CFG	R/W	0x000	RFID/NFC configuration register	0x0000 0000
SR	R	0x004	RFID/NFC status register	0x0000 0000
CMDIN	R	0x008	RFID/NFC incoming command	0x0000 0000
CMDOUT	R/W	0x00C	RFID/NFC outgoing command	0x0000 0000
TARGET	R/W	0x010	RFID/NFC target page address register	0x0000 0004
LAST_ACCESS	R	0x014	raw Interrupt status register	0x0000 0000
IMIS	R/W	0x018	interrupt mask register	0x0000 0000
RIS	R	0x01C	raw Interrupt status register	0x0000 0000
MIS	R	0x020	masked interrupt status register	0x0000 0000
IC	W	0x024	interrupt clear register	0x0000 0000
SHARED_MEM	R/W	0x100 - 0x2FC	buffer memory space (128 words)	undefined

Table 118. RFID/NFC communication block special registers and buffer memory space overview: RFID side

Name	Access	Address offset	Description	Reset value
SHARED_MEM	R/W	0x04 - 0x83	buffer memory space (128 words)	0

Table 118. RFID/NFC communication block special registers and buffer memory space overview: RFID side

Name	Access	Address offset	Description	Reset value
SR	R	0x84	RFID/NFC status register	0x0000 0000
CMDIN	R/W	0x85	RFID/NFC incoming command	0x0000 0000
CMDOUT	R	0x86	RFID/NFC outgoing data	0x0000 0000

12.7.1 RFID/NFC configuration register (CFG)

This register contains the configuration data for the RFID block

Table 119. CFG register (address 0x4005 8000) bit description

Bit	Symbol	Description	Reset value	Access
0	BYPASS	when set, the shared memory interface and registers are deactivated, and the external reader gets full access to the RFID/NFC EEPROM.	0	R/W
31:1	-	(reserved)	0	-

12.7.2 RFID/NFC status register (SR)

This register contains the status of the RFID block.

Table 120. SR register (APB address 0x4005 8004, RF address 0x84) bit description

Bit	Symbol	Description	Reset value	Access
0	POR	power-on detected in the RFID analog core	0	R
1	1V2	rectifier < 1.2 V output warning	0	R
2	1V5	rectifier < 1.5 V output warning	0	R
3	PLL	RFID PLL locked	0	R
4	SEL	RFID selected	0	R
5	AUTH	RFID password for access authenticated	0	R
6	BYPASS	RFID interface in Bypass mode	0	R
7	-	(reserved)	0	R

Table 120. SR register (APB address 0x4005 8004, RF address 0x84) bit description *_continued*

Bit	Symbol	Description	Reset value	Access
15:8	RFID_CMD_	opcode of last RFID command received:	0	R
		0000 0000: REQA		
		0000 0001: WUPA		
		0000 0010: ANTICOLLISION		
		0000 0011: SELECT		
		0000 0100: HLTA		
		0000 0101: READ		
		0000 0110: COMP_WRITE		
		0000 0111: WRITE		
		0000 1000: INCR_CNT		
		0000 1001: READ_CNT		
		0000 1010: PWD_AUTH		
		0000 1011: GET_VERSION		
		0000 1100: FAST_READ		
		0000 1101: READ_SIG		
0000 1111: CHECK_TEARING_EVENT				
31:12	-	(reserved)	-	-

[1] Read access from RFID side, Write access from APB side.

12.7.3 RFID/NFC incoming command register (CMDIN)

This register contains an NHS3-specific incoming command. Reading this register by the ARM clears the corresponding interrupt. This register is writable through the RFID wireless interface.

Table 121. CMDIN register (APB address 0x4005 800C, RF address 0x85) bit description

Bit	Symbol	Description	Reset value	Access
31:0	CMDIN	incoming command	0x0000 0000	R

12.7.4 RFID/NFC outgoing data register (CMDOUT)

This register contains NHS3-specific outgoing data. This register can be read over the RFID wireless interface.

Table 122. CMDOUT register (APB address 0x4005 8010, RF address 0x86) bit description

Bit	Symbol	Description	Reset value	Access
31:0	CMDOUT	outgoing data	0x0000 0000	R/W

12.7.5 RFID/NFC target address register (TARGET)

This register contains an NHS3-specific outgoing command. This register can be read over the RFID wireless interface.

Table 123. TARGET register (address 0x4005 8010) bit description

Bit	Symbol	Description	Reset value	Access
7:0	PAGE	target (RF) page address	0x04	R/W
31:8	-	(reserved)	0	-

12.7.6 RFID/NFC last accessed address register (LAST_ACCESS)

This register contains the address of the last accessed pages. This address is an address as seen from the RF side. Both start and end of read/write address range are shown.

Table 124. LAST_ACCESS register (address 0x4005 8014) bit description

Bit	Symbol	Description	Reset value	Access
7:0	LAST_ACCESS_END	last accessed (RF) page address (end of range)	0	R
15:8	LAST_ACCESS_START	last accessed (RF) page address (start of range)	0	R
16	DIR	direction of last accessed page (0) READ, (1) WRITE	0	R
31:17	-	(reserved)	0	-

12.7.7 RFID/NFC interrupt mask register (IMSC)

This register controls whether RFID read/write access interrupt condition is enabled.

Table 125. IMSC register (address 0x4005 8014) bit description

Bit	Symbol	Description	Reset value	Access
0	RFPOWER	set to enable interrupt when RFID power is detected	0	R/W
1	RFSELECT	set to enable interrupt when reader selects tag	0	R/W
2	MEMREAD	set to enable interrupt when reader reads from shared memory (SHARED_MEM)	0	R/W
3	MEMWRITE	set to enable interrupt when reader writes to shared memory (SHARED_MEM)	0	R/W
4	CMDWRITE	set to enable interrupt when reader writes to CMDIN register	0	R/W
5	CMDREAD	set to enable interrupt when reader reads the CMDOUT register	0	R/W
6	TARGETWRITE	set to enable interrupt when reader writes to address specified in the TARGET register	0	R/W
7	TARGETREAD	set to enable interrupt when reader reads from address specified in the TARGET register	0	R/W
8	NFCOFF	set to enable interrupt when external reader powers down RFID/NFC front-end	0	R/W
31:9	-	(reserved)	-	-

12.7.8 RFID/NFC Raw interrupt status register (RIS)

This read-only register contains a 1 for each interrupt condition that is asserted, regardless of whether the interrupt is enabled in the IMSC register.

Table 126. RIS register (address 0x4005 801C) bit description

Bit	Symbol	Description	Reset value	Access
0	RFPOWER	RFID power is detected	0	R/W
1	RFSELECT	reader selected tag	0	R/W
2	MEMREAD	reader reads from shared memory (SHARED_MEM)	0	R/W
3	MEMWRITE	reader writes to shared memory (SHARED_MEM)	0	R/W

Table 126. RIS register (address 0x4005 801C) bit description *_continued*

Bit	Symbol	Description	Reset value	Access
4	CMDWRITE	reader writes to CMDIN register	0	R/W
5	CMDREAD	reader reads the CMDOUT register	0	R/W
6	TARGETWRITE	reader writes to address specified in the TARGET register	0	R/W
7	TARGETREAD	reader reads from address specified in the TARGET register	0	R/W
8	NFCOFF	RFID/NFC front-end is not powered or clocked	0	R/W
31:9	-	(reserved)	0	-

12.7.9 RFID/NFC Raw interrupt status register (RIS)

This read-only register contains a 1 for each interrupt condition that is asserted, regardless of whether the interrupt is enabled in the IMSC register.

Table 127. RIS register (address 0x4005 801C) bit description

Bit	Symbol	Description	Reset value	Access
0	RFPOWER	RFID power is detected	0	R/W
1	RFSELECT	reader selects tag	0	R/W
2	MEMREAD	reader reads from shared memory (SHARED_MEM)	0	R/W
3	MEMWRITE	reader writes to shared memory (SHARED_MEM)	0	R/W
4	CMDWRITE	reader writes to CMDIN register	0	R/W
5	CMDREAD	reader reads the CMDOUT register	0	R/W
6	TARGETWRITE	reader writes to address specified in the TARGET register	0	R/W
7	TARGETREAD	reader reads from address specified in the TARGET register	0	R/W
8	NFCOFF	RFID/NFC front-end is not powered or clocked	0	R/W
31:9	-	(reserved)	0	-

12.7.10 RFID/NFC Interrupt clear register (ICR)

Software can write one or more one(s) to this write-only register to clear the corresponding interrupt condition or conditions in the RFID/NFC controller. **Note:** the second interrupt conditions can be cleared by reading the CMDIN register.

Table 128. ICR register (address 0x4005 8024) bit description

Bit	Symbol	Description	Reset value	Access
0	RFPOWER	write logic 1 to clear RFPOWER interrupt	0	W
1	RFSELECT	write logic 1 to clear RFSELECT interrupt	0	W
2	MEMREAD	write logic 1 to clear MEMREAD interrupt	0	W
3	MEMWRITE	write logic 1 to clear MEMWRITE interrupt	0	W
4	CMDWRITE	write logic 1 to clear CMDWRITE interrupt	0	W
5	CMDREAD	write logic 1 to clear CMDREAD interrupt	0	W
6	TARGETWRITE	write logic 1 to clear TARGETWRITE interrupt	0	W
7	TARGETREAD	write logic 1 to clear TARGETREAD interrupt	0	W
8	NFCOFF	write logic 1 to clear NFCOFF interrupt	0	W
31:9	-	(reserved)	0	-

12.7.11 Buffer memory

The buffer memory ranges from APB address 0x4005 8100 to 0x4005 82FC or RF address 0x04 to 0x83. The buffer memory is a regular 4 kB 32-bit Ultra-high VT SRAM memory block configured as x=64, y=2, z=1, b=32. The purpose of the buffer memory is to serve as an interface for the exchange of PHDC and/or NDEF messages. The buffer memory contains random data after reset. This memory is word-addressable only.

13. Real-Time clock

13.1 About this chapter

This chapter describes the usage of the Real Time Clock (RTC) timer.

The RTC timer is identical on all members of the NHS31xx family.

13.2 Features

The Real Time Clock (RTC) timer provides a countdown timer generating a wake-up signal when it expires. The timer runs on a low speed clock and is always active unless the VDDBAT is switched off.

The RTC timer generates the RTC interrupt signal (wake-up interrupt 12), which can be enabled according to the settings in the RTCIMSC register. The timer counts in "ticks" which are derived from the TFRO clock pulses via the calibration value stored in the RTCCAL register.

13.3 General description

The RTC module consists of 3 parts:

1. The RTC core module, implementing the RTC timer itself. This module runs in the 'always on' VDD domain and is implemented in 3.3 V logic
2. The AMBA APB slave interface. This module allows configuration of the RTC core via an APB bus. This module runs in the switched power domain
3. Level-shifters. This module interconnects the core and the APB interface. It contains all level-shifters and isolation gates necessary to interconnect both modules

13.4 Register descriptions

The CR register controls the RTC timer.

The reset values reflect the data stored in used bits only, they do not include the content of reserved bits.

Table 129. Register overview: RTC timer (base address 0x4005 4000)

Name	Access	Address offset	Description	Reset value
CR	R/W	0x000	RTC control register	0x0000 0000
SR	R	0x004	RTC status register	0x0000 0002
CAL	R/W	0x008	RTC calibration value	0x0000 8000
SLEEPT	R/W	0x00C	RTC Sleep time	0x0000 0000
VAL	R	0x010	current RTC counter	0x0000 0000
IMIS	R/W	0x014	interrupt mask register	0x0000 0000
RIS	R	0x018	raw Interrupt status register	0x0000 0000
MIS	R	0x01C	masked interrupt status register.	0x0000 0000

Table 129. Register overview: RTC timer (base address 0x4005 4000) *_continued*

Name	Access	Address offset	Description	Reset value
ICR	W	0x020	interrupt clear register.	0x0000 0000
STAT	R	0x024	access status register.	0x0000 0000
TIME	R/W	0x030	RTC Time register.	0x0000 0000

13.4.1 RTC Control register (CR)

The CR register controls the operation of the RTC Timer unit. If the unit is disabled, nothing happens.

Table 130. RTC Timer control register (address 0x4005 4000) bit description

Bit	Symbol	Description	Reset value
0	EN	logic 1: Enable the RTC Timer, logic 0: disable	0
1	AUTOSTART	logic 1: Automatic timer start when value is written to SLEEPT register, logic 0: manual start	1
2	START	writing a logic 1 starts the countdown from the value stored in SLEEPT until logic 0 is reached. Write logic 0 to clear. This bit is also cleared when the interrupt is asserted or a new value is written into the SLEEPT register	0
31:3	-	(reserved)	0

13.4.2 RTC status register (SR)

The SR register shows the status of the RTC Timer unit. SR[1] is identical to PMU.TMRCLKCTRL[0].

For the RTC to count down time (RUN=1) the following conditions must be fulfilled:

1. it must be powered.
2. it must be receiving 32 kHz pulses.
3. it must be started.

Table 131. RTC Timer status register (address 0x4005 4004) bit description

Bit	Symbol	Description	Reset value
0	EN	logic 1: RTC timer enabled, logic 0: disabled	0
1	-	(reserved)	0
2	FREEZE	asserted near to the edges of the internal tick clock. Values written to the SLEEPT register during FREEZE=1 are delayed until after this condition clears	0
3	RUN	logic 1: RTC timer is running	0
31:4	-	(reserved)	0

13.4.3 RTC calibration register (CAL)

The CAL register contains the number of TFRO clock pulses in one tick. When the CALIB value is reached, one tick is issued. Setting 1 tick equal to 1 second is recommended. The default is 32,768 clock pulses in one tick.

Table 132. RTC timer calibration register (address 0x4005 4008) bit description

Bit	Symbol	Description	Reset value
15:0	CALIB	this value indicates the number of TFRO clock pulses in one tick	8000h
31:16	-	(reserved)	0

13.4.4 RTC timer sleep time register (SLEEPT)

The SLEEPT register is set to the time in ticks the timer has to sleep. The timer unit decrements this value each tick and the RTC interrupt is generated whenever the value reaches zero. Writing this register triggers a start unless the AUTOSTART bit is cleared. Manual start or restart is possible by writing logic 1 to CR[2].

Table 133. RTC timer sleep time register (address 0x4005 400C) bit description

Bit	Symbol	Description	Reset value
23:0	SLEEPTIME	this value indicates the time to sleep in ticks	0
31:24	-	(reserved)	0

13.4.5 RTC timer current value register (VAL)

The RTCVAL register contains the current remaining value of the timer in ticks.

Table 134. RTC timer current value register (address 0x4005 4010) bit description

Bit	Symbol	Description	Reset value
23:0	TIMEREMAIN	current value (remaining time) of the countdown timer	0
31:24	-	(reserved)	0

13.4.6 RTC timer interrupt mask set/clear register (IE)

This register controls whether the interrupt condition is enabled.

Note: ARM uses the word 'masked' in the opposite sense from classic computer terminology, in which 'masked' meant 'disabled'. ARM uses the word 'masked' to mean 'enabled'. To avoid confusion, we do not use the word 'masked'.

Table 135. IMSC register (address 0x4005 4014) bit description

Bit	Symbol	Description	Reset value	Access
0	IE	software should set this bit to enable interrupt when the countdown is finished	0	R/W
31:1	-	(reserved)	0	-

13.4.7 RTC timer raw interrupt status register (RIS)

This read-only register contains a logic 1 for each interrupt condition that is asserted, regardless of whether the interrupt is enabled in the IMSC register.

Table 136. RIS register (address 0x4005 4018) bit description

Bit	Symbol	Description	Reset value	Access
0	RIS	this bit is logic 1 when the countdown has finished	0	R
31:1	-	(reserved)	0	-

13.4.8 RTC timer masked interrupt status register (MIS)

This read-only register contains a logic 1 for each interrupt condition that is asserted and enabled in the IMSC registers. When an RTC interrupt occurs, the interrupt service routine should read this register to determine the cause or causes of the interrupt.

Table 137. MIS register (address 0x4005 401C) bit description

Bit	Symbol	Description	Reset value	Access
0	MIS	this bit is logic 1 when the RTC countdown has finished and this interrupt is enabled	0	R
31:1	-	(reserved)	0	-

13.4.9 RTC timer interrupt clear register (ICR)

Software can write one or more logic ones to this write-only register, to clear the corresponding interrupt condition in the RTC timer. **Note:** the interrupt conditions can be disabled by clearing the corresponding bit in IMSC registers.

Table 138. ICR register (address 0x4005 4020) bit description

Bit	Symbol	Description	Reset value	Access
0	IC	writing a logic 1 clears the countdown done interrupt	0	W
31:1	-	(reserved)	0	-

13.4.10 RTC timer access status register (ACCSTAT)

The access status register indicates whether the RTC is able to accept data over the APB. The RTC runs at a different clock rate than the core system, and bus synchronization is necessary. This mechanism is described below:

Write access

The write procedure is as follows:

- When the ARM writes to an RTC register:
 - The address/value pair is stored in the command-buffer
 - The direction flag is set to write
 - ACCSTAT goes to logic 0 indicating a command is pending. This transition happens on an edge of the APB clock, which is faster than the TFRO clock
- When the TFRO clock edge comes, the address/value in the command-buffer is written to the RTC block
- On a next TFRO edge, the ACCSTAT goes to logic 0 to indicate that no command is pending and a new one can be given

Read access

The read procedure is as follows:

- When a value is stored in the PMU register for the ARM to read:
 - only the register address is stored in the command-buffer
 - the direction flag is set to read

- ACCSTAT goes to logic 0 indicating a command is pending
- When the TFRO clock edge arrives, the address in the buffer is used to read the actual RTC register. This register value is copied in the (data part of the) command-buffer
- On the next TFRO edge, the ACCSTAT goes to logic 1 to indicate that the command is completed
- The command-buffer sees that the address of the second read is the same as the address part in the command-buffer. In this case, the result is not treated as a new read command ACCSTAT stays logic 1)
- However, the address part of the command-buffer is now cleared, so that a third read (even when from the same PMU register) causes a new command

Table 139. ACCSTAT register (address 0x4005 4024) bit description

Bit	Symbol	Description	Reset value	Access
0	READY	logic 0: RTC access not possible, logic 1: RTC access possible	0	R
31:1	-	(reserved)	0	-

13.4.11 RTC timer time register (TIME)

The RTC time register contains a counter which is incremented at each timer tick (RTC must be clocked and enabled). A value can be written to this register by the user.

Table 140. TIME register (address 0x4005 4030) bit description

Bit	Symbol	Description	Reset value	Access
31:0	TIME	current timer value	0	R/W

14. Watchdog timer

14.1 About this chapter

This chapter describes the watchdog timer, which is identical on all members of the NHS31xx family.

14.2 Purpose

If the microcontroller enters an erroneous state, the purpose of the Watchdog-timer (WDT) is to reset the microcontroller within a predetermined amount of time.

14.2.1 Configuration

The WDT is configured using the following:

- Pins: The WDT uses no external pins
- Power: In the SYSAHBCLKCTRL register, set bit 11
- Peripheral clock: Select the watchdog clock source and enable the WDT peripheral clock by writing to the WDTCLKDIV register

14.2.2 Features

- Debug mode
- Enabled by software but requires a hardware reset or a Watchdog reset/interrupt to be disabled
- If enabled, incorrect/incomplete feed sequence causes reset/interrupt
- Flag to indicate Watchdog reset
- Programmable 24-bit timer with internal pre-scaler
- Selectable time period from $(\text{TWDCCLK} \times 256 \times 4)$ to $(\text{TWDCCLK} \times 2^{24} \times 4)$ in multiples of $\text{TWDCCLK} \times 4$
- The Watchdog clock (WDCLK) source is the 8 MHz oscillator (SFRO)

14.2.3 General description

Register base address 0x4000 4000.

The Watchdog consists of a divide by 4 fixed pre-scaler and a 24-bit counter. The clock is fed to the timer via a pre-scaler. The timer decrements when clocked. The minimum value from which the counter decrements is 0xFF. Setting a value lower than 0xFF causes 0xFF to be loaded in the counter. Hence the minimum Watchdog interval is $(\text{TWDCCLK} \times 256 \times 4)$ and the maximum is $(\text{TWDCCLK} \times 2^{24} \times 4)$, in multiples of $(\text{TWDCCLK} \times 4)$.

The Watchdog should be used in the following manner:

1. Set the Watchdog timer constant reload value in WDTC register
2. Setup the Watchdog timer Operating mode in WDMOD register
3. Enable the Watchdog by writing 0xAA followed by 0x55 to the WDFEED register
4. The Watchdog should be fed again before the Watchdog counter underflows to prevent a reset-interrupt

When the WDT is in Reset mode and the counter reaches zero, the CPU is reset and loads the stack pointer and program counter from the vector table. The same happens in the case of an external reset. The WDT timeout flag (WDTOF) can be examined to determine whether the WDT has caused the reset condition. Software must clear the WDTOF flag.

When the Watchdog is enabled (but not in Reset mode), the counter underflows, and the ARM M0+ core is in Sleep or Deep-sleep, the ARM wakes up.

The watchdog timer block uses two clocks: PCLK and WDCLK. PCLK is used for the APB accesses to the watchdog registers and is derived from the system clock (see Figure 3). The WDCLK is used for the watchdog timer counting and is derived from the wdt_clk. The SFRO is used as a clock source for wdt_clk clock. The WDCLK has its own clock divider which can also disable this clock.

There is some synchronization logic between these two clock domains. When APB operations update the WDMOD and WDTC registers, the new value takes effect in 3 WDCLK cycles on the logic in the WDCLK clock domain. When the watchdog timer is counting on WDCLK, the following procedure occurs: The synchronization logic locks the counter value on WDCLK and then synchronizes it with the PCLK for reading as the WDTV register by the CPU.

14.3 Register descriptions

The Watchdog timer uses the registers shown in [Table 141](#). More detailed descriptions follow.

Table 141. Register overview: Watchdog timer block (base address 0x4000 4000)

Name	Access	Address offset	Description	Reset value	Reference
WDMOD	R/W	0x000	Watchdog mode register. This register contains the Basic mode and status of the Watchdog Timer	0x0000 0000	-
WDTC	R/W	0x004	watchdog timer constant register. This register determines the timeout value	0x0000 00FF	-
WDFEED	W	0x008	watchdog feed sequence register. Writing 0xAA followed by 0x55 to this register reloads the Watchdog timer with the value contained in WDTC	-	-
WDTV	R	0x00C	watchdog timer value register. This register reads out the current value of the Watchdog timer	0x0000 00FF	-

14.3.1 Watchdog mode register

The WDMOD register controls the operation of the Watchdog through the combination of WDEN and RESET bits. **Note:** a watchdog feed must be performed before any changes to the WDMOD register take effect.

Table 142. WDMOD register (address 0x4000 4000) bit description

Bit	Symbol	Description	Reset value
0	WDEN	watchdog enable bit (Set Only). When logic 1, the watchdog timer is running	0
1	WDRESET	watchdog reset enable bit (Set Only). When logic 1, a watchdog timeout causes a chip reset	0
2	WDTOF	watchdog timeout flag. Set when the watchdog timer times out, cleared by software. (Read/write)	0
3	WDINT	watchdog interrupt flag (Read Only, not clearable by software)	0
7:4	-	(reserved)	-
31:8	-	(reserved)	-

Once the **WDEN** and/or **WDRESET** bits are set, software cannot clear them. A reset or a Watchdog timer underflow clears both flags.

WDTOF — The Watchdog timeout flag is set when the Watchdog times out. Software or a POR reset clears this flag.

WDINT — The Watchdog interrupt flag is set when the Watchdog times out. This flag is cleared when any reset occurs. Once the Watchdog interrupt is serviced, it should be disabled in the NVIC or the Watchdog interrupt request is generated indefinitely. The intent of the watchdog interrupt is to allow debugging Watchdog activity without resetting the device when the Watchdog overflows.

Watchdog reset or interrupt occurs any time the Watchdog is running and has an operating clock source. Any clock source works in Sleep mode, and if a Watchdog interrupt occurs in Sleep mode, it wakes the device.

Table 143. Watchdog Operating mode selection

WDEN	WDRESET	Mode of operation
0		debug/operate without the Watchdog running
1	0	Watchdog Interrupt mode: debug with the Watchdog interrupt but no WDRESET enabled. When this mode is selected, a Watchdog counter-underflow sets the WDINT flag and the Watchdog interrupt request is generated. Remark: In Interrupt mode, check the WDINT flag. If this flag is set, the interrupt is true and the interrupt routine can service it. If this flag is not set, the interrupt should be ignored
1	1	Watchdog Reset mode: operate with the Watchdog interrupt and WDRESET enabled. When this mode is selected, a Watchdog counter underflow resets the microcontroller. Although the Watchdog interrupt is also enabled in this case (WDEN = 1), it is not recognized because the Watchdog reset clears the WDINT flag

14.3.2 Watchdog timer constant register

The WDTC register determines the timeout value. Every time a feed sequence occurs the WDTC content is reloaded in to the Watchdog timer. It is a 32-bit register with 8 LSB set to logic 1 on reset. Writing values below 0xFF cause 0x0000 00FF to be loaded to the WDTC. Thus the minimum timeout interval is $T_{WDCLK} \times 256 \times 4$.

Table 144. WDTA register (address 0x4000 4004) bit description

Bit	Symbol	Description	Reset value
23:0	Count	Watchdog timeout interval	0x0000 00FF
31:24	-	(reserved)	0

14.3.3 Watchdog feed register

Writing 0xAA followed by 0x55 to this register will reload the Watchdog timer with the WDTA value. This operation also starts the Watchdog if it is enabled via the WDMOD register. Setting the WDEN bit in the WDMOD register is not sufficient to enable the Watchdog. A valid feed sequence must be completed after setting WDEN before the Watchdog can generate a reset. Until then, the Watchdog ignores feed errors. After writing 0xAA to WDFEED, access to any Watchdog register other than writing 0x55 to WDFEED causes an immediate reset/interrupt when the Watchdog is enabled. The reset is generated during the second PCLK following incorrect access to a Watchdog register during a feed sequence.

Interrupts should be disabled during the feed sequence. If an interrupt happens during the feed sequence, then an abort condition occurs.

Table 145. WDFEED register (address 0x4000 4008) bit description

Bit	Symbol	Description	Reset value
0:7	Feed	feed value should be 0xAA followed by 0x55	-
8:31	-	(reserved)	-

14.3.4 Watchdog timer value register

The WDTV register is used to read the current value of Watchdog timer. When reading the value of the 24-bit timer, the lock and synchronization procedure takes up to 6 WDCLK cycles plus 6 PCLK cycles. This procedure results in the value of WDTV being older than the actual value of the timer when the CPU is reading it.

Table 146. WDTV register (address 0x4000 400C) bit description

Bit	Symbol	Description	Reset value
23:0	Count	counter-timer value	0x0000 00FF
31:24	-	(reserved)	-

15. SYSTICK timer

15.1 About this chapter

This chapter describes the SYSTICK timer, which is identical on all members of the NHS31xx family.

15.2 Purpose

The SYSTICK timer is a part of the ARM Cortex-M0+. The SYSTICK timer is intended to generate a fixed 10 millisecond interrupt for use by an operating system or other system management software.

The SYSTICK timer is configured using the following registers:

- Pins: The system tick timer uses no external pins
- Power: The system tick timer is enabled through the SYSTICK control register. The system tick timer clock is fixed to half the frequency of the system clock
- Enable the clock source for the SYSTICK timer in the CSR register

15.3 Features

- Simple 24-bit timer
- Uses dedicated exception vector
- Clocked internally by the system clock or the system clock $\div 2$

15.4 General description

The block diagram of the SYSTICK timer is shown [Figure 19](#) below.

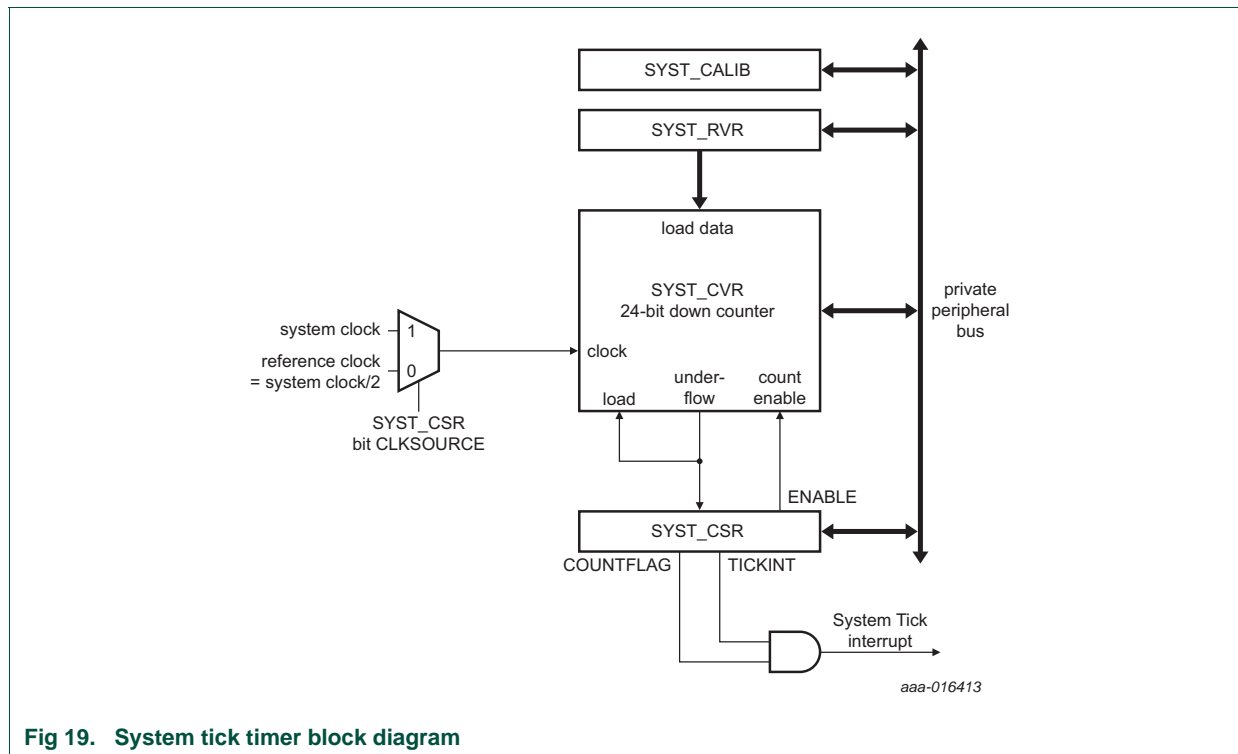


Fig 19. System tick timer block diagram

The SYSTICK timer is a part of the Cortex-M0+. The SYSTICK timer is intended to generate a fixed 10 millisecond interrupt for use by an operating system or other system management software. It also facilitates porting of software by providing a standard timer that is available on Cortex-M0-based devices.

The SYSTICK timer can be used for:

- An RTOS tick timer which fires at a programmable rate (for example 100 Hz) and invokes a SYSTICK routine
- A high-speed alarm timer using the core clock
- A simple counter. Software can use this counter to measure time to completion and time used
- It can be determined if an action completed within a set duration by reading the COUNTFLAG bitfield in the control and status register

15.5 Register descriptions

The SYSTICK timer registers are on the ARM Cortex-M0+ private peripheral bus and are part of the ARM Cortex-M0+ core peripherals.

Table 147. Register overview: SYSTICK timer (base address 0xE000 E000)

Name	Access	Address offset	Description	Reset value [1]
CSR	R/W	0x010	system timer Control and Status Register	0x0000 0000

Table 147. Register overview: SYSTICK timer (base address 0xE000 E000) *_continued*

Name	Access	Address offset	Description	Reset value [1]
RVR	R/W	0x014	system timer Reload Value Register	0x0000 4E1F
CVR	R/W	0x018	system timer Current Value Register	0x0000 0000
CALIB	R/W	0x01C	system timer Calibration value Register	0x0000 0004

[1] Reset Value reflects the data stored in used bits only. It does not include content of reserved bits.

15.5.1 System timer Control and Status Register (CSR)

The CSR register contains control information for the SYSTICK timer and provides a status flag. This register is part of the ARM Cortex-M0+ core system timer register block.

This register determines the clock source for the system tick timer.

Table 148. CSR register (address 0xE000 E010) bit description

Bit	Symbol	Description	Reset value
0	ENABLE	enable System Tick counter. When logic 1, the counter is enabled. When logic 0, the counter is disabled	0
1	TICKINT	system Tick Interrupt enable. When logic 1, the System Tick interrupt is enabled. When logic 0, the System Tick interrupt is disabled. When enabled, the interrupt is generated when the System Tick counter counts down to 0	0
2	CLKSOURCE	system tick Clock Source selection. When logic 1, the system clock (CPU) clock is selected. When logic 0, the system clock/2 is selected as the reference clock	0
15:3	-	(reserved - do not write logic ones. The value read from a reserved bit is not defined)	-
16	COUNTFLAG	returns 1 if the SYSTICK timer counted to logic 0 since the last read of this register	0
31:17	-	(reserved - do not write logic ones. The value read from a reserved bit is not defined)	-

15.5.2 System Timer Reload value register (RVR)

The RVR register is set to the value that is loaded into the SYSTICK timer whenever it counts down to zero. Timer initialization loads this register by software. If the CPU is running at the frequency intended for use with the CALIB value, the CALIB register may be read and used as the value for RVR register.

Table 149. RVR register (address 0xE000 E014) bit description

Bit	Symbol	Description	Reset value
23:0	RELOAD	this value that is loaded into the System Tick counter when it counts down to 0	0xFFFFFFFF
31:24	-	(reserved - do not write logic ones. The value read from a reserved bit is not defined)	-

15.5.3 System Timer Current value register (CVR)

The CVR register returns the current count from the System Tick counter.

Table 150. CVR register (address 0xE000 E018) bit description

Bit	Symbol	Description	Reset value
23:0	CURRENT	reading this register returns the current value of the System Tick counter. Writing any value clears the System Tick counter and the COUNTFLAG bit in STCTRL	0xFFFFFFFF
31:24	-	(reserved - do not write logic ones. The value read from a reserved bit is not defined)	-

15.5.4 System Timer Calibration value register (CALIB)

The value of the SYSTCKCAL register in the system configuration block SYSCON (see [Table 20](#)) drives the value of the CALIB register.

Table 151. CALIB register (address 0xE000 E01C) bit description

Bit	Symbol	Description	Reset value
23:0	TENMS	10 ms calibration value	0x4
29:24	-	(reserved - do not write logic ones. The value read from a reserved bit is not defined)	-
30	SKEW	if logical 1, the TENMS bit field is not accurate	0
31	NOREF	if logical 1, it indicates that SYSTICK uses the core clock for counting as no external reference clock is available to be used	1'b0

15.6 Functional description

The SYSTICK timer is a 24-bit timer that counts down to zero and generates an interrupt. The intent is to provide a fixed 10 millisecond time interval between interrupts. The SYSTICK timer is clocked from the CPU system clock (see [Figure 19](#)) or from the reference clock. The reference clock is fixed to half the frequency of the CPU clock. In order to generate recurring interrupts at a specific interval, the RVR register must be initialized with the correct value for the desired interval. A default value is provided in the CALIB register which is changeable by software.

If the CPU clock is set to 2 MHz, then this frequency gives a 10 millisecond interrupt rate.

15.6.1 Example timer calculation

To use the system tick timer, do the following:

1. Program the RVR register with the reload value RELOAD to obtain the desired time interval
2. Clear the CVR register by writing to it. This action ensures that the timer counts from the RVR value rather than an arbitrary value when the timer is enabled
3. Program the SCR register with the value 0x7 which enables the SYSTICK timer and the SYSTICK timer interrupt

The following example illustrates selecting the timer reload value to obtain a 10 ms time interval with the system clock set to 20 MHz.

Example (system clock = 50 MHz)

The system tick clock = system clock = 8 MHz. Bit CLKSOURCE in the CSR register set to 1 (system clock).

$RELOAD = (\text{system tick clock frequency} \times 10 \text{ ms}) - 1 = (8 \text{ MHz} \times 10 \text{ ms}) - 1 = 80\,000 - 1$
 $= 79\,999 = 0x0001\,387F.$

16. 16-bit timer CT16B

16.1 About this chapter

This chapter describes the CT16B 16-bit timer, which is identical on all members of the NHS31xx family.

16.2 Configuration

The CT16B is configured as follows:

- Pins: The match outputs of the timer can be routed to I/O pins by setting the I/O pin function in the IOCON register. See [Table 266](#).
- Clock: The PCLK clock clocks the CT16B block. This clock is derived from the system clock (see [Figure 7](#)). The clock can be enabled by setting bit 8 in the SYSAHBCLKCTRL register (see [Table 14](#)).

16.3 Features

One 16-bit timer with a programmable 16-bit prescaler.

- Timer operation
- Four 16-bit match registers that allow:
 - Continuous operation with optional interrupt generation on match
 - Stop timer on match with optional interrupt generation
 - Reset timer on match with optional interrupt generation
- Up to two CT16B external outputs corresponding to the match registers with the following capabilities:
 - Set LOW on match
 - Set HIGH on match
 - Toggle on match
 - Do nothing on match
- Up to two match registers can be configured as PWM allowing the use of up to two match outputs as single edge controlled PWM outputs.

16.4 Applications

- Interval timer for generating internal events
- Free-running timer
- Pulse Width Modulator via match outputs

16.5 General description

The timer is designed to count cycles of the peripheral clock (PCLK). It can optionally also generate interrupts or perform other actions at specified timer values based on four match registers. The peripheral clock is provided by the system clock (see [Figure 7](#)).

In PWM mode, four match registers can be used to provide a single-edge controlled PWM output on the match output pins. Use of the match registers that are not pinned out to control the PWM cycle length is recommended.

16.6 Pin description

Table 152 gives a brief summary of each of the timer-related pins.

Table 152. Counter/timer pin description

Pin	Type	Description
CT16B_M0	output	16-bit timer-match output 0
CT16B_M1	output	16-bit timer-match output 1

16.7 Example timer operation

Figure 20 shows a timer configured to reset the count and generate an interrupt on match. The prescaler is set to 2 and the match register set to 6. At the end of the timer cycle, where the match occurs, the timer count is reset giving a full length cycle to the match value. The match interrupt is generated in the next clock after the timer reached the match value.

Figure 21 shows a timer configured to stop and generate an interrupt on match. The prescaler is again set to 2 and the match register set to 6. The match interrupt is generated in the next clock after the timer reached the match value. The timer enable bit in TCR is cleared.

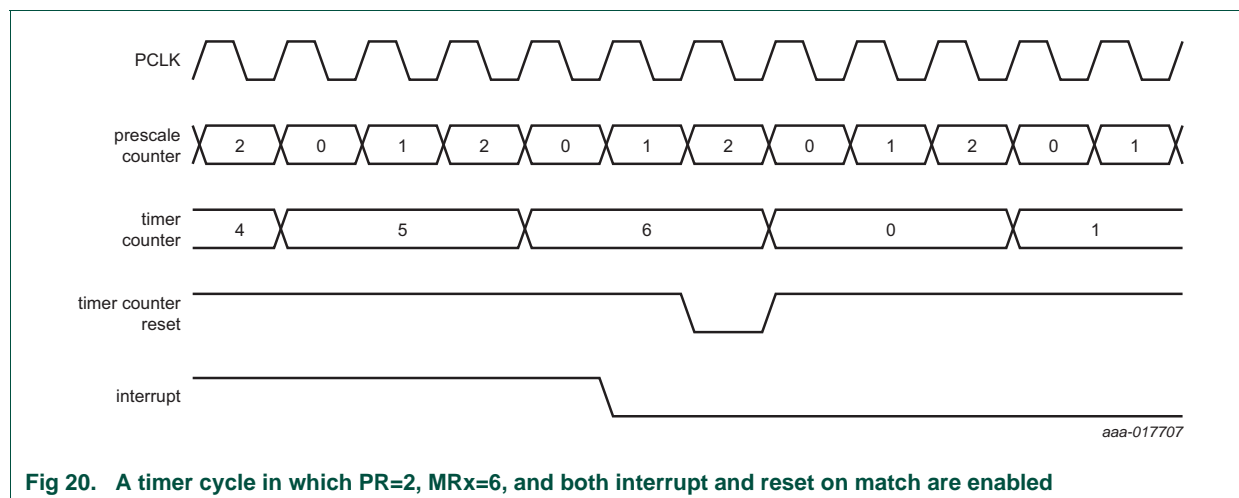


Fig 20. A timer cycle in which PR=2, MRx=6, and both interrupt and reset on match are enabled

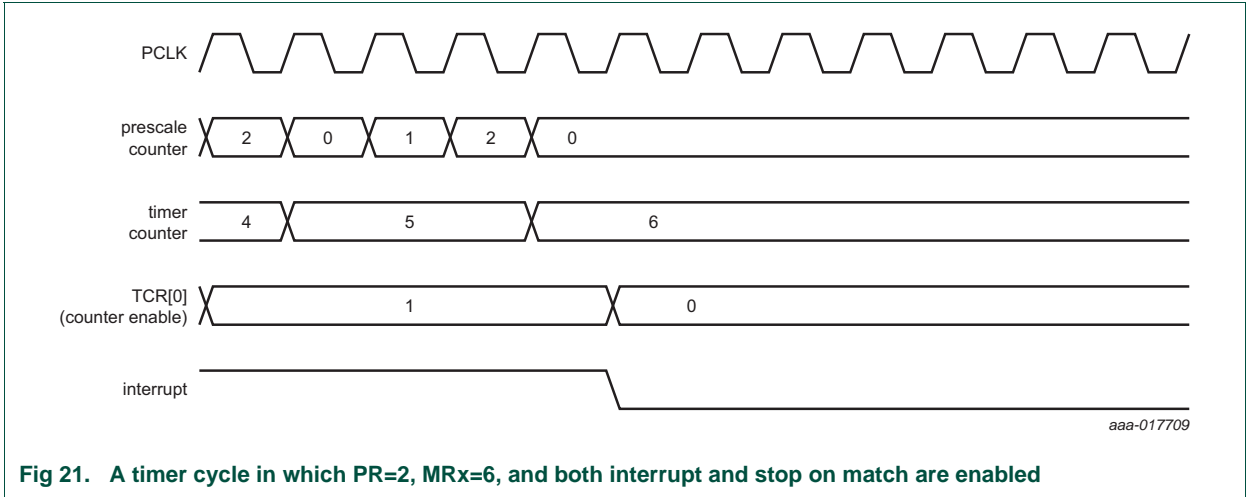


Fig 21. A timer cycle in which PR=2, MRx=6, and both interrupt and stop on match are enabled

16.8 Architecture

The block diagram for timer0 and timer1 is shown in [Figure 22](#).

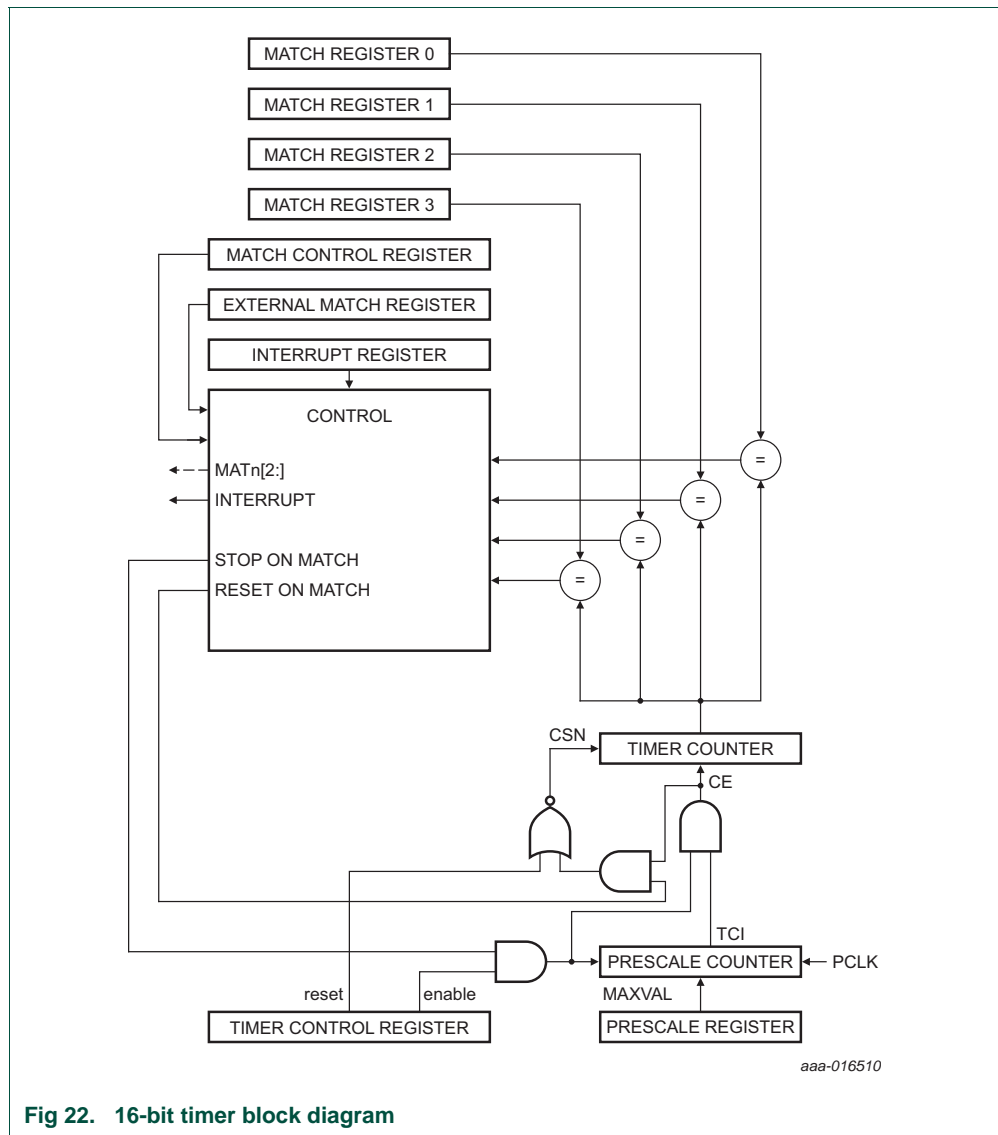


Fig 22. 16-bit timer block diagram

16.9 Register descriptions

The 16-bit timer contains the registers shown in [Table 153](#). More detailed descriptions follow.

Table 153. Register overview: 16-bit timer 0 CT16B0 (base address 0x4000 C000)

Name	Access	Address offset	Description	Reset value [1]
IR	R/W	0x000	Interrupt Register (IR). The IR can be written to clear interrupts. The IR can be read to identify which of five possible interrupt sources are pending	0x0000 0000
TCR	R/W	0x004	Timer Control Register (TCR). The TCR is used to control the timer functions. The Timer can be disabled or reset through the TCR	0x0000 0000
TC	R/W	0x008	Timer (TC). The 16-bit TC is incremented every PR+1 cycles of PCLK. The TC is controlled through the TCR	0x0000 0000
PR	R/W	0x00C	Prescale Register (PR). When the Prescale Counter (below) is equal to this value, the next clock increments the TC and clears the PC	0x0000 0000
PC	R/W	0x010	Prescale Counter (PC). The 16-bit PC is a counter which is incremented to the value stored in PR. When the value in PR is reached, the TC is incremented and the PC is cleared. The PC is observable and controllable through the bus interface	0x0000 0000
MCR	R/W	0x014	Match Control Register (MCR). The MCR is used to control whether an interrupt is generated and if the TC is reset when a Match occurs	0x0000 0000
MR0	R/W	0x018	Match Register 0 (MR0). Enabled MR0 through the MCR to reset the TC, stop both the TC and PC, and/or generate an interrupt every time MR0 matches the TC	0x0000 0000
MR1	R/W	0x01C	Match Register 1 (MR1). See MR0 description	0x0000 0000
MR2	R/W	0x020	Match Register 2 (MR2). See MR0 description	0x0000 0000
MR3	R/W	0x024	Match Register 3 (MR3). See MR0 description	0x0000 0000
-	-	0x028 - 0x038	(reserved)	-
EMR	R/W	0x03C	External Match Register (EMR). The EMR controls the match function and the external match pins CT16B0_M[1:0]	0x0000 0000
-	-	0x040 - 0x070	(reserved)	-
PWMC	R/W	0x074	PWM Control Register (PWMC). The PWMC enables PWM mode for the external match pins CT16B0_M[1:0]	0x0000 0000

[1] Reset Value reflects the data stored in used bits only. It does not include content of reserved bits.

16.9.1 Interrupt register (IR)

The Interrupt register (IR) consists of 4 bits for the match interrupts and 1 bit for the capture interrupt. If an interrupt is generated, then the corresponding bit in the IR is HIGH. Otherwise, the bit is LOW. Writing a logic 1 to the corresponding IR bit resets the interrupt. Writing a logic 0 has no effect.

Table 154. IR register (address 0x4000 C000) bit description

Bit	Symbol	Description	Reset value
0	MR0INT	interrupt flag for match channel 0	0
1	MR1INT	interrupt flag for match channel 1	0
2	MR2INT	interrupt flag for match channel 2	0
3	MR3INT	interrupt flag for match channel 3	0
31:4	-	(reserved)	-

16.9.2 Timer Control register (TCR)

The Timer Control register (TCR) is used to control the operation of the timer.

Table 155. TCR register (address 0x4000 C004) bit description

Bit	Symbol	Description	Reset value
0	CEN	Timer Enable. When logic 1, the Timer Counter and Prescale Counter are enabled for counting. When logic 0, the counters are disabled	0
1	CRST	Timer Reset. When logic 1, the Timer Counter and the Prescale Counter are synchronously reset on the next positive edge of PCLK. The counters remain reset until TCR[1] is returned to logic 0	0
2:31	-	(reserved)	-

16.9.3 Timer Counter (TC)

The 16-bit Timer-Counter is incremented when the Prescale Counter reaches its terminal count. Unless reset before reaching its upper limit, the TC counts up to 0x0000 FFFF and then wraps back to the value 0x0000 0000. This event does not cause an interrupt, but a Match register can be used to detect possible overflow if needed.

Table 156. TC register (address 0x4000 C008) bit description

Bit	Symbol	Description	Reset value
15:0	TC	Timer-Counter value	0
31:16	-	(reserved)	-

16.9.4 Prescale register (PR)

The 16-bit Prescale register specifies the maximum value for the Prescale Counter.

Table 157. PR register (address 0x4000 C00C) bit description

Bit	Symbol	Description	Reset value
15:0	PR	Prescale max value	0
31:16	-	(reserved)	-

16.9.5 Prescale Counter register (PC)

The 16-bit Prescale Counter controls division of PCLK by some constant value before it is applied to the Timer Counter. This division allows control of the relationship between the resolution of the timer and the maximum time before the timer overflows. The Prescale Counter is incremented on every PCLK. When it reaches the value stored in the Prescale Register, the Timer Counter is incremented, and the Prescale Counter is reset on the next

PCLK. This reset causes the TC to increment on every PCLK when PR = 0, every 2 PCLKs when PR = 1, etc.

Table 158. PC register (address 0x4001 C010) bit description

Bit	Symbol	Description	Reset value
15:0	PC	Prescale Counter value	0
31:16	-	(reserved)	-

16.9.6 Match Control register (MCR)

The Match Control register is used to control what operations are performed when one of the Match Registers matches the Timer Counter. The function of each of the bits is shown in [Table 159](#).

Table 159. MCR register (address 0x4000 C014) bit description

Bit	Symbol	Value	Description	Reset value
0	MR0I		interrupt on MR0: an interrupt is generated when MR0 matches the value in the TC	0
		0	disabled	
		1	enabled	
1	MR0R		reset on MR0: If MR0 matches the TC, then the TC is reset	0
		0	disabled	
		1	enabled	
2	MR0S		stop on MR0: If MR0 matches the TC, then the TC and PC are stopped and TCR[0] is set to logic 0	0
		0	disabled	
		1	enabled	
3	MR1I		interrupt on MR1: an interrupt is generated when MR1 matches the value in the TC	0
		0	disabled	
		1	enabled	
4	MR1R		reset on MR1: If MR1 matches the TC, then the TC is reset	0
		0	disabled	
		1	enabled	
5	MR1S		stop on MR1: If MR1 matches the TC, then the TC and PC are stopped and TCR[0] is set to logic 0	0
		0	disabled	
		1	enabled	
6	MR2I		interrupt on MR2: an interrupt is generated when MR2 matches the value in the TC	0
		0	disabled	
		1	enabled	
7	MR2R		reset on MR2: If MR2 matches the TC, then, the TC is reset	0
		0	disabled	
		1	enabled	

Table 159. MCR register (address 0x4000 C014) bit description *_continued*

Bit	Symbol	Value	Description	Reset value
8	MR2S		stop on MR2: If MR2 matches the TC, then the TC and PC are stopped and TCR[0] is set to logic 0	0
		0	disabled	
		1	enabled	
9	MR3I		interrupt on MR3: an interrupt is generated when MR3 matches the value in the TC	0
		0	disabled	
		1	enabled	
10	MR3R		reset on MR3: If MR3 matches the TC, then the TC is reset	0
		0	disabled	
		1	enabled	
11	MR3S		stop on MR3: If MR3 matches the TC, then the TC and PC are stopped and TCR[0] is set to logic 0	0
		0	disabled	
		1	enabled	
31:12	-	-	(reserved)	-

16.9.7 Match register (MR0/1/2/3)

The Match register values are continuously compared to the Counter/timer value. When the two values are equal, actions can be triggered automatically. The action possibilities are to generate an interrupt, reset the Counter/timer, or stop the timer. The settings in the MCR register control the actions.

Table 160. MR0/1/2/3 registers (addresses 0x4000 C018 to 24) bit description

Bit	Symbol	Description	Reset value
15:0	MATCH	timer-Counter match value	0
31:16	-	(reserved)	-

16.9.8 External Match register (EMR)

The External Match register provides both control and status of the external match channels and external match pins CT16B_MAT[1:0].

If the match outputs are configured as PWM outputs in the PWMCON registers, then PWM rules ([Section 16.9.10](#)) determine the function of the external match registers.

Table 161. EEMR register (address 0x4000 C03C) bit description

Bit	Symbol	Value	Description	Reset value
0	EM0	-	External Match 0. This bit reflects the state of output CT16B_M0, regardless of whether this output is connected to its pin or not. When PWM channel 0 is enabled, a match between TC and MR0 raises the output pin high. Bits EMR[5:4] control the functionality of this output. This bit is driven to the CT16B_M0 pins if the match function is selected in the IOCON registers (0 = LOW, 1 = HIGH)	0
1	EM1	-	External Match 1. This bit reflects the state of output CT16B_M1, regardless of whether this output is connected to its pin or not. When PWM channel 1 is enabled, a match between TC and MR1 raises the output pin high. Bits EMR[7:6] control the functionality of this output. This bit is driven to the CT16B_M1 pins	0
3:2	-	-	(reserved)	-
5:4	EMC0		External Match Control 0. Determines the functionality of External Match 0	0
		00b	do nothing	
		01b	clear the corresponding External Match bit/output to logic 0 (CT16B_M0 pin is LOW if pinned out)	
		10b	set the corresponding External Match bit/output to logic 1 (CT16B_M0 pin is HIGH if pinned out)	
11b	toggle the corresponding External Match bit/output. Note: the toggle only works when the corresponding match register is larger than 0			
7:6	EMC1		external Match Control 0. Determines the functionality of External Match 1	0
		00b	do nothing	
		01b	clear the corresponding External Match bit/output to logic 0 (CT16B_M1 pin is LOW if pinned out)	
		10b	set the corresponding External Match bit/output to logic 1 (CT16B_M1 pin is HIGH if pinned out)	
11b	toggle the corresponding External Match bit/output. Note: the toggle only works when the corresponding match register is larger than 0			

16.9.9 PWM Control register (PWMC)

The PWM Control register is used to configure the match outputs as PWM outputs. Each match output can be independently set as either a PWM output, or match output. The External Match register (EMR) controls the function of the match output.

Three single-edge controlled PWM outputs can be selected on the CT16B_M[1:0] outputs. One additional match register determines the PWM cycle length. When a match occurs in any of the other match registers, the PWM output is set to HIGH. The match register that is configured to set the PWM cycle length, resets the timer. When the timer is reset to zero, all currently HIGH match outputs configured as PWM outputs are cleared.

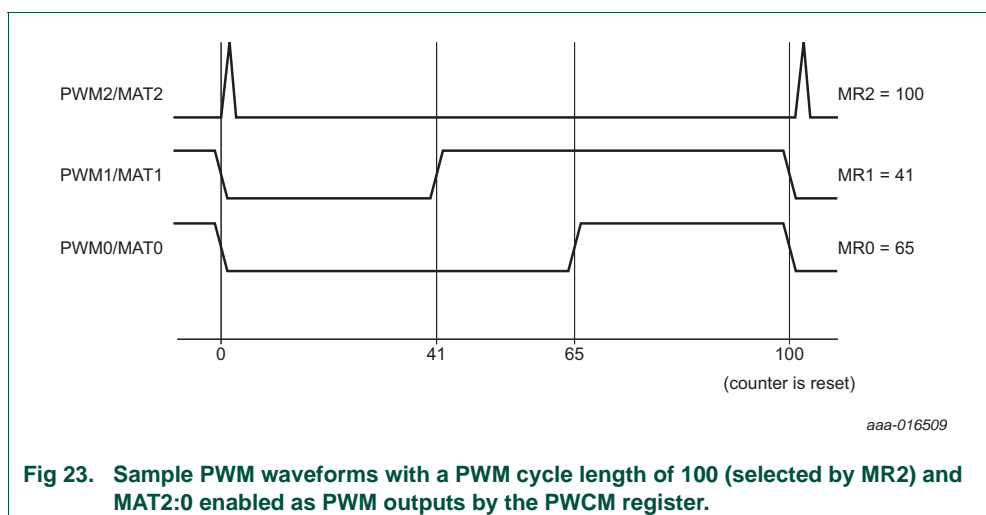
Table 162. PWMC register (address 0x4000 C074) bit description

Bit	Symbol	Value	Description	Reset value
0	PWMEN0		PWM channel0 enable	0
		0	EM0 controls the CT16B_M0	
		1	PWM mode is enabled for CT16B_M0	
1	PWMEN1		PWM channel1 enable	0
		0	EM1 controls the CT16B0_M1	
		1	PWM mode is enabled for CT16B_M1	
31:2	-	-	(reserved)	-

16.9.10 Rules for single edge controlled PWM outputs

1. All single edge controlled PWM outputs go LOW at the beginning of each PWM cycle unless their match value is equal to zero
2. Each PWM output goes HIGH when its match value is reached. If no match occurs (i.e. the match value is greater than the PWM cycle length), the PWM output remains continuously LOW
3. If a match value larger than the PWM cycle length is written to the match register, and the PWM signal is HIGH already, the PWM signal is cleared on the start of the next PWM cycle
4. If a match register value equals the timer reset value, then the PWM output will be reset to LOW on the next clock tick. Therefore, the PWM output always consists of a one clock tick wide positive pulse. The PWM cycle length is the same as the timer reset value
5. If a match register is set to zero, then the PWM output goes HIGH the first time the timer goes back to zero and remains HIGH

Note: When the match outputs are used as PWM outputs, the reset and stop bits in the Match Control Register (MCR) must be set to logic 0, except for the match register. The match register sets the PWM cycle length. For this register, set the MRR bit to logic 1 to enable the timer reset when the timer value matches the value of the corresponding match register.



17. 32-bit timer CT32B

17.1 About this chapter

This chapter describes the CT32B 32-bit timer, which is identical on all members of the NHS31xx family.

17.2 Configuration

The CT32B is configured as follows:

- Pins: The match outputs of the timer can be routed to I/O pins by setting the I/O pin function in the IOCON register. See [Table 266](#).
- Clock: The PCLK clock clocks the CT32B block. This clock is derived from the system clock (see [Figure 7](#)). The clock can be enabled by setting bit 8 in the SYSAHBCLKCTRL register (see [Table 14](#)).

17.3 Features

One 32-bit timer with a programmable 32-bit prescaler.

- Timer operation
- Four 32-bit match registers that allow:
 - Continuous operation with optional interrupt generation on match
 - Stop timer on match with optional interrupt generation
 - Reset timer on match with optional interrupt generation
- Up to two CT32B external outputs corresponding to the match registers with the following capabilities:
 - Set LOW on match
 - Set HIGH on match
 - Toggle on match
 - Do nothing on match
- Up to two match registers can be configured as PWM allowing the use of up to two match outputs as single edge controlled PWM outputs.

17.4 Applications

- Interval timer for generating internal events
- Free-running timer
- Pulse Width Modulator via match outputs

17.5 General description

The timer is designed to count cycles of the peripheral clock (PCLK). It can optionally also generate interrupts or perform other actions at specified timer values based on four match registers. The peripheral clock is provided by the system clock (see [Figure 7](#)).

In PWM mode, four match registers can be used to provide a single-edge controlled PWM output on the match output pins. Use of the match registers that are not pinned out to control the PWM cycle length is recommended.

17.6 Pin description

[Table 152](#) gives a brief summary of each of the counter/timer related pins.

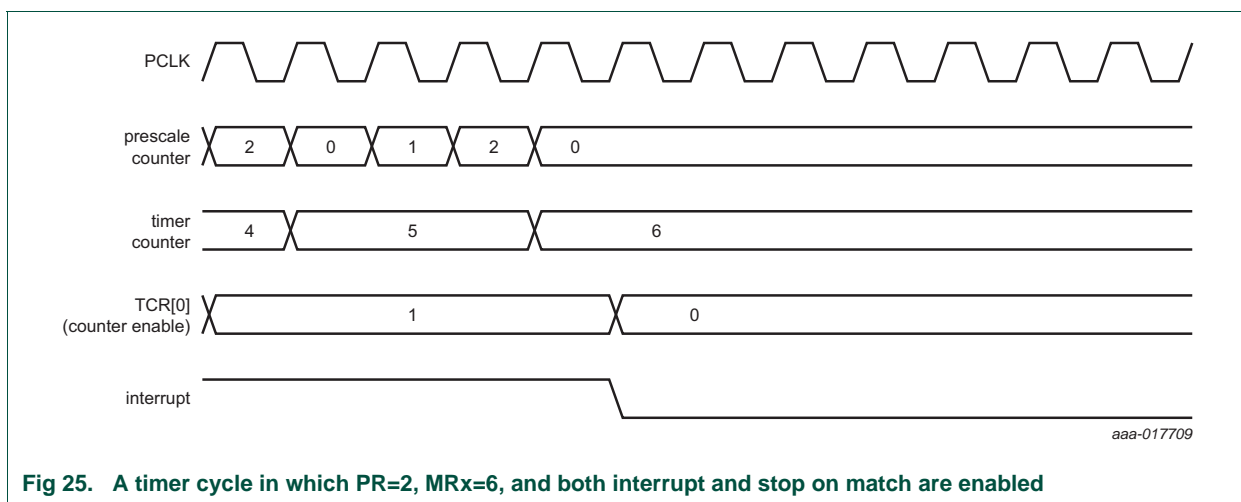
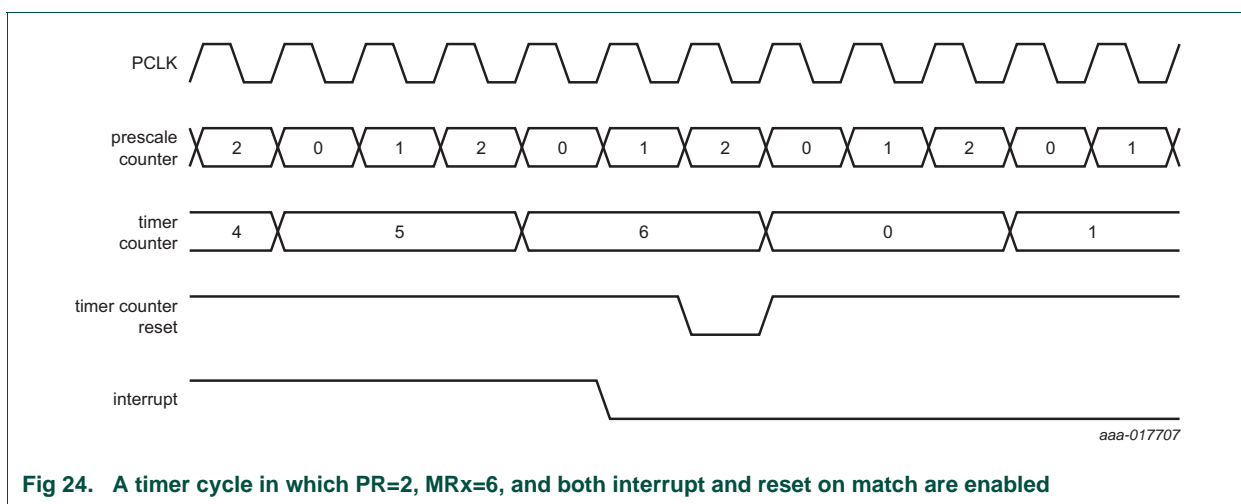
Table 163. Counter/timer pin description

Pin	Type	Description
CT32B_M0	Output	32-bit timer-match output 0
CT32B_M1	Output	32-bit timer-match output 1

17.7 Example timer operation

Figure 20 shows a timer configured to reset the count and generate an interrupt on match. The prescaler is set to 2 and the match register set to 6. At the end of the timer cycle, where the match occurs, the timer count is reset giving a full length cycle to the match value. The match interrupt is generated in the next clock after the timer reached the match value.

Figure 21 shows a timer configured to stop and generate an interrupt on match. The prescaler is again set to 2 and the match register set to 6. The match interrupt is generated in the next clock after the timer reached the match value. The timer enable bit in TCR is cleared.



17.8 Architecture

The block diagram for counter/timer0 and counter/timer1 is shown in [Figure 22](#).

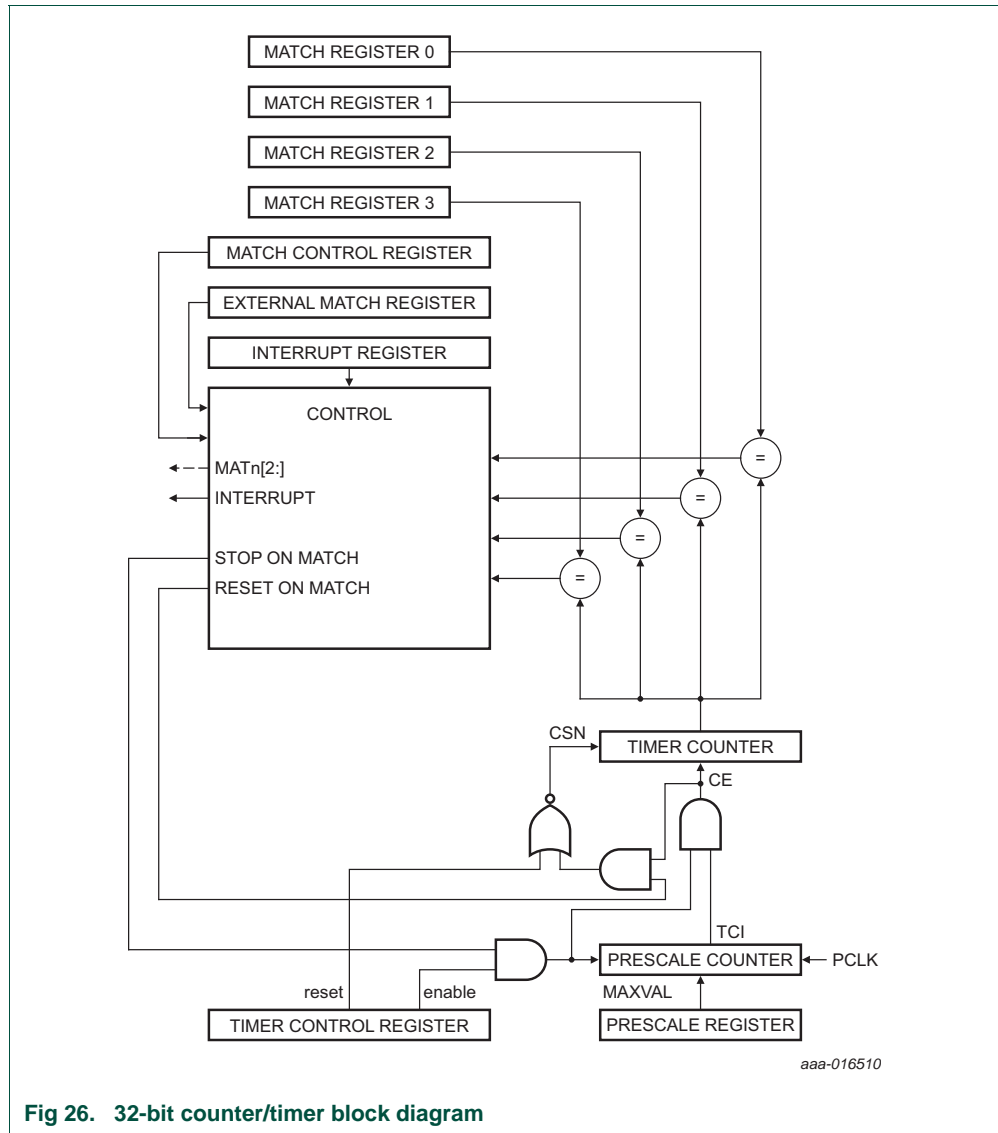


Fig 26. 32-bit counter/timer block diagram

17.9 Register descriptions

The 32-bit counter/timer contains the registers shown in [Table 164](#). More detailed descriptions follow.

Table 164. Register overview: 32-bit counter/timer 0 CT32B (base address 0x4000 4000)

Name	Access	Address offset	Description	Reset value [1]
IR	R/W	0x000	Interrupt Register (IR). The IR can be written to clear interrupts. The IR can be read to identify which of five possible interrupt sources are pending	0x0000 0000
TCR	R/W	0x004	Timer Control Register (TCR). The TCR is used to control the Timer Counter functions. The Timer Counter can be disabled or reset through the TCR	0x0000 0000
TC	R/W	0x008	Timer Counter (TC). The 32-bit TC is incremented every PR+1 cycles of PCLK. The TC is controlled through the TCR	0x0000 0000
PR	R/W	0x00C	Prescale Register (PR). When the Prescale Counter (below) is equal to this value, the next clock increments the TC and clears the PC	0x0000 0000
PC	R/W	0x010	Prescale Counter (PC). The 32-bit PC is a counter which is incremented to the value stored in PR. When the value in PR is reached, the TC is incremented and the PC is cleared. The PC is observable and controllable through the bus interface	0x0000 0000
MCR	R/W	0x014	Match Control Register (MCR). The MCR is used to control whether an interrupt is generated and if the TC is reset when a Match occurs	0x0000 0000
MR0	R/W	0x018	Match Register 0 (MR0). Enabled MR0 through the MCR to reset the TC, stop both the TC and PC, and/or generate an interrupt every time MR0 matches the TC	0x0000 0000
MR1	R/W	0x01C	Match Register 1 (MR1). See MR0 description	0x0000 0000
MR2	R/W	0x020	Match Register 2 (MR2). See MR0 description	0x0000 0000
MR3	R/W	0x024	Match Register 3 (MR3). See MR0 description	0x0000 0000
-	R/W	0x028 - 0x038	(reserved)	-
EMR	R/W	0x03C	External Match Register (EMR). The EMR controls the match function and the external match pins CT326B_M[1:0]	0x0000 0000
-	-	0x040 - 0x070	(reserved)	-
PWMC	R/W	0x074	PWM Control Register (PWMC). The PWMC enables PWM mode for the external match pins CT32B_M[1:0]	0x0000 0000

[1] Reset Value reflects the data stored in used bits only. It does not include content of reserved bits.

17.9.1 Interrupt register (IR)

The Interrupt register (IR) consists of 4 bits for the match interrupts and 1 bit for the capture interrupt. If an interrupt is generated, then the corresponding bit in the IR is HIGH. Otherwise, the bit is LOW. Writing a logic 1 to the corresponding IR bit resets the interrupt. Writing a logic 0 has no effect.

Table 165. IR register (address 0x4000 4000) bit description

Bit	Symbol	Description	Reset value
0	MR0INT	interrupt flag for match channel 0	0x0000 0000
1	MR1INT	interrupt flag for match channel 1	0x0000 0000
2	MR2INT	interrupt flag for match channel 2	0x0000 0000
3	MR3INT	interrupt flag for match channel 3	0x0000 0000
31:4	-	(reserved)	-

17.9.2 Timer Control register (TCR)

The Timer Control register (TCR) is used to control the operation of the counter/timer.

Table 166. TCR register (address 0x4000 4004) bit description

Bit	Symbol	Description	Reset value
0	CEN	Counter Enable. When one, the Timer Counter and Prescale Counter are enabled for counting. When zero, the counters are disabled	0
1	CRST	Counter Reset. When one, the Timer Counter and the Prescale Counter are synchronously reset on the next positive edge of PCLK. The counters remain reset until TCR[1] is returned to zero	0
31:2	-	(reserved)	-

17.9.3 Timer Counter register (TC)

The 32-bit Timer-Counter is incremented when the Prescale Counter reaches its terminal count. Unless reset before reaching its upper limit, the TC counts up to 0xFFFF FFFF and then wraps back to the value 0x0000 0000. This event does not cause an interrupt, but a Match register can be used to detect possible overflow if needed.

Table 167. TC register (address 0x4000 4008) bit description

Bit	Symbol	Description	Reset value
15:0	TC	Timer Counter value	0
31:16	-	(reserved)	-

17.9.4 Prescale register (PR)

The 32-bit Prescale register specifies the maximum value for the Prescale Counter.

Table 168. PR register (address 0x4000 400C) bit description

Bit	Symbol	Description	Reset value
31:0	PR	Prescale max value	0

17.9.5 Prescale Counter register (PC)

The 32-bit Prescale Counter controls division of PCLK by some constant value before it is applied to the Timer Counter. This division allows control of the relationship between the resolution of the timer and the maximum time before the timer overflows. The Prescale Counter is incremented on every PCLK. When it reaches the value stored in the Prescale Register, the Timer Counter is incremented, and the Prescale Counter is reset on the next PCLK. This reset causes the TC to increment on every PCLK when PR = 0, every

2 PCLKs when PR = 1, etc.

Table 169. PC register (address 0x4001 4010) bit description

Bit	Symbol	Description	Reset value
31:0	PC	Prescale counter value	0

17.9.6 Match Control register (MCR)

The Match Control register is used to control what operations are performed when one of the Match Registers matches the Timer Counter. The function of each of the bits is shown in [Table 170](#).

Table 170. MCR register (address 0x4000 4014) bit description

Bit	Symbol	Value	Description	Reset value
0	MR0I		interrupt on MR0: an interrupt is generated when MR0 matches the value in the TC	0
		0	disabled	
		1	enabled	
1	MR0R		reset on MR0: If MR0 matches the TC, then the TC is reset	0
		0	disabled	
		1	enabled	
2	MR0S		if MR0 matches the TC, then the TC and PC are stopped and TCR[0] is set to logic 0	0
		0	disabled	
		1	enabled	
3	MR1I		interrupt on MR1: an interrupt is generated when MR1 matches the value in the TC	0
		0	disabled	
		1	enabled	
4	MR1R		reset on MR1: If MR1 matches the TC, then the TC is reset	0
		0	disabled	
		1	enabled	
5	MR1S		stop on MR1: If MR1 matches the TC, then the TC and PC are stopped and TCR[0] is set to logic 0	0
		0	disabled	
		1	enabled	
6	MR2I		interrupt on MR2: an interrupt is generated when MR2 matches the value in the TC	0
		0	disabled	
		1	enabled	
7	MR2R		reset on MR2: If MR2 matches the TC, then, the TC is reset	0
		0	disabled	
		1	enabled	

Table 170. MCR register (address 0x4000 4014) bit description *_continued*

Bit	Symbol	Value	Description	Reset value
8	MR2S		stop on MR2: If MR2 matches the TC, then the TC and PC are stopped and TCR[0] is set to logic 0	0
		0	disabled	
		1	enabled	
9	MR3I		interrupt on MR3: an interrupt is generated when MR3 matches the value in the TC	0
		0	disabled	
		1	enabled	
10	MR3R		reset on MR3: If MR3 matches the TC, then the TC is reset	0
		0	disabled	
		1	enabled	
11	MR3S		stop on MR3: If MR3 matches the TC, then the TC and PC are stopped and TCR[0] is set to logic 0	0
		0	disabled	
		1	enabled	
31:12	-	-	(reserved)	-

17.9.7 Match registers (MR0/1/2/3)

The Match register values are continuously compared to the Timer Counter value. When the two values are equal, actions can be triggered automatically. The action possibilities are to generate an interrupt, reset the Timer Counter, or stop the timer. The settings in the MCR register control the actions.

Table 171. MR0/1/2/3 registers (addresses 0x4000 4018 to 24) bit description

Bit	Symbol	Description	Reset value
31:0	MATCH	timer counter match value	0

17.9.8 External Match register (EMR)

The External Match register provides both control and status of the external match channels and external match pins CT32B_M[1:0].

If the match outputs are configured as PWM outputs in the PWMCON registers, then PWM rules ([Section 17.9.10](#)) determine the function of the external match registers.

Table 172. EMR register (address 0x4000 403C) bit description

Bit	Symbol	Value	Description	Reset value
0	EM0	-	External Match 0. This bit reflects the state of output CT32B_M0, regardless of whether this output is connected to its pin. When a match occurs between the TC and MR0, this bit can either toggle, go LOW, go HIGH, or do nothing. Bits EMR[5:4] control the functionality of this output. This bit is driven to the CT32B_M0 pins if the match function is selected in the IOCON registers (0 = LOW, 1 = HIGH)	0
1	EM1	-	External Match 1. This bit reflects the state of output CT32B_M1, regardless of whether this output is connected to its pin. When a match occurs between the TC and MR1, this bit can either toggle, go LOW, go HIGH, or do nothing. Bits EMR[7:6] control the functionality of this output. This bit is driven to the CT32B_M1 pins	0
3:2	-	-	(reserved)	-
5:4	EMC0		External Match Control 0. determines the functionality of External Match 0	0
		00b	do nothing	
		01b	clear the corresponding External Match bit/output to logic 0 (CT32B_M0 pin is LOW if pinned out)	
		10b	set the corresponding External Match bit/output to logic 1 (CT32B_M0 pin is HIGH if pinned out)	
		11b	toggle the corresponding External Match bit/output. Note: the toggle only works when the corresponding match register is larger than 0	
7:6	EMC1		External Match Control 1. Determines the functionality of External Match 1	0
		00b	do nothing	
		01b	clear the corresponding External Match bit/output to logic 0 (CT32B_M1 pin is LOW if pinned out)	
		10b	set the corresponding External Match bit/output to logic 1 (CT32B_M1 pin is HIGH if pinned out)	
		11b	toggle the corresponding External Match bit/output. Note: the toggle only works when the corresponding match register is larger than 0	

17.9.9 PWM Control register (PWMC)

The PWM Control register is used to configure the match outputs as PWM outputs. Each match output can be independently set as either a PWM output, or match output. The External Match register (EMR) controls the function of the match output.

Three single-edge controlled PWM outputs can be selected on the CT32B_M[1:0] outputs. One additional match register determines the PWM cycle length. When a match occurs in any of the other match registers, the PWM output is set to HIGH. The match register that is configured to set the PWM cycle length, resets the timer. When the timer is reset to zero, all currently HIGH match outputs configured as PWM outputs are cleared.

Table 173. PWMC register (address 0x4000 4074) bit description

Bit	Symbol	Value	Description	Reset value
0	PWMEN0		PWM channel0 enable	0
		0	EM0 controls the CT32B_M0	
		1	PWM mode is enabled for CT32B_M0	
1	PWMEN1		PWM channel1 enable	0
		0	EM1 controls the CT32B0_M1	
		1	PWM mode is enabled for CT32B_M1	
31:2	-	-	(reserved)	-

17.9.10 Rules for single edge controlled PWM outputs

1. All single edge controlled PWM outputs go LOW at the beginning of each PWM cycle unless their match value is equal to zero
2. Each PWM output goes HIGH when its match value is reached. If no match occurs (i.e. the match value is greater than the PWM cycle length), the PWM output remains continuously LOW
3. If a match value larger than the PWM cycle length is written to the match register, and the PWM signal is HIGH already, the PWM signal is cleared on the start of the next PWM cycle
4. If a match register value equals the timer reset value, then the PWM output will be reset to LOW on the next clock tick. Therefore, the PWM output always consists of a one clock tick wide positive pulse. The PWM cycle length is the same as the timer reset value
5. If a match register is set to zero, then the PWM output goes HIGH the first time the timer goes back to zero and remains HIGH

Note: When the match outputs are used as PWM outputs, the reset and stop bits in the Match Control Register (MCR) must be set to logic 0, except for the match register. The match register sets the PWM cycle length. For this register, set the MRR bit to logic 1 to enable the timer reset when the timer value matches the value of the corresponding match register.

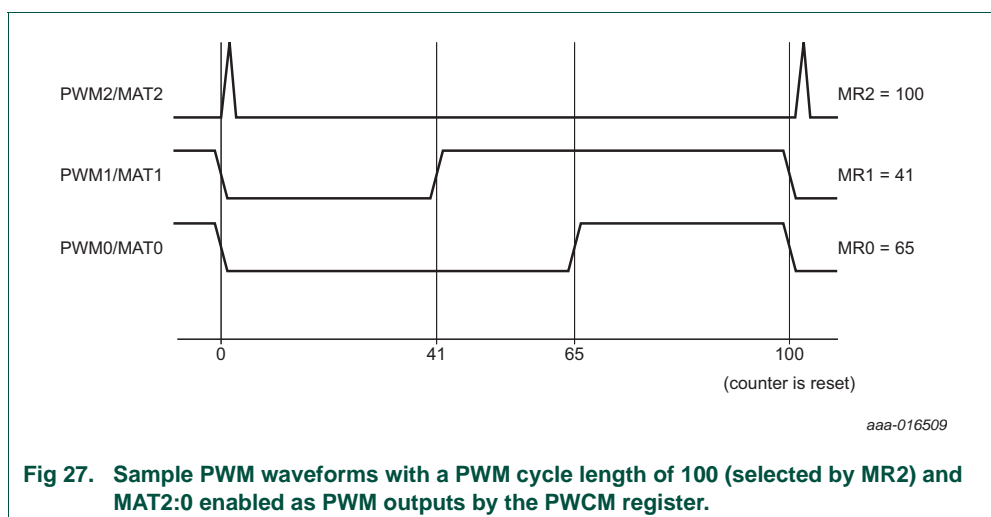


Fig 27. Sample PWM waveforms with a PWM cycle length of 100 (selected by MR2) and MAT2:0 enabled as PWM outputs by the PWCM register.

18. EEPROM controller

18.1 About this chapter

This chapter provides an overview of the EEPROM control and interface.

18.2 On-chip EEPROM

The NHS31xx contains a 4 kB EEPROM. This EEPROM is organized in 64 rows of 32×16 -bit words. Of these rows, the last four contain calibration and test data and are locked. This data is either used by the boot loader after reset, or made accessible to the application via firmware Application Programming Interface (API).

18.3 Functional description

18.3.1 Reading from EEPROM

Reading is done via the AHB interface. The memory is mapped on the bus address space as a contiguous address space. Memory data words are seen on the bus using a little endian arrangement: Bits in the memory word are split in bytes so that byte 0 is made of bits 7:0, byte 1 by bits 15:8, and so on. Word 0, byte 0 is at byte address 0 in the bus, followed by word 0, byte 1, and so on, until word 0 is completed. The next address refers to word 1, byte 0, and so on.

The bus data width may have the same size as the memory data word, or be wider, or smaller. Additionally, on an AHB, it is possible to perform reads of a size which is smaller than the bus size.

If a read transfer request is detected, one or more memory read operations are performed sequentially until the required data is made available.

In the case of multiple memory read operations to satisfy a single bus read request, the order in which operations are performed is unspecified. Therefore, all status bits which refer to the 'latest memory read' are related to just one of the many read operations performed. To identify precisely which status applies to which word, use a read size which matches the memory data size. Conversely, flags refer to the full word even if only part of a memory word is read.

If the memory is busy with writes or other reads when a read request is placed on the bus, additional wait states are inserted until the requested read can be started. This action may be because, for instance, the memory is busy due to initialization or signature calculation.

If the memory is busy doing a program/erase when a read request is placed on the bus, an error response is given on the bus.

18.3.2 Writing to EEPROM

Erasing and programming is performed, as a single operation, on one or more words inside a single page.

Previous write operations have transferred the data to be programmed into the memory page buffer. The page buffer tracks which words were written to (offset within the page only). Words not written to, retain their previous content.

Note: Do not write more than once on a position within a page register with different data, otherwise data loss may occur.

When writing the binary value 110b inside the CMD register field, programming starts: the page specified in the last write operation is updated with the content of the page buffer, and the page buffer is cleared.

Note: It is the act of writing 110b in CMD that starts programming, it is irrelevant whether CMD already contained 110b from a previous programming operation.

If another program/erase is in progress while the CMD register is written, the control interface returns an error. If any other memory operation is in progress, wait states are added until the memory is available.

The EEPAUTOPROG register allows an additional way of starting EEPROM programming:

- If EEPAUTOPROG contains the value 01b, then EEPROM programming is also started after each successful write interface transaction.
- If EEPAUTOPROG contains the value 10b, then EEPROM programming is started after each successful write interface transaction to the last memory word within a row. Writes to other memory words do not cause automatic programming.
- The EEPAUTOPROG value of 11b is reserved and should not be used.

18.4 Register descriptions

Table 174. Register overview: EEPROM memory controller (base address 0x4003 4000)

Name	Access	Address offset	Description	Reset value
CMD	R/W	0x000	EEPROM command register	0x00
RWSTATE	R/W	0x008	EEPROM read wait state register	-
PAUTOPROG	R/W	0x00C	EEPROM auto programming register	0x00
WSTATE	R/WL	0x010	EEPROM wait state register	-
CLKDIV	R/WL	0x014	EEPROM clock divider register	-
PWRDWN	R/W	0x018	EEPROM power-down register	0x00
MSSTART	R/W	0x020	EEPROM checksum start address register	-
MSSTOP	R/W	0x024	EEPROM checksum stop address register	-
MSDATASIG	R	0x028	EEPROM data signature register	-
MSPARSIG	R	0x02C	EEPROM parity signature register	-
STATUS	R	0x034	EEPROM device status register	-
MODULE_CONFIG	R	0xFD0	controller configuration options	-
INT_CLR_ENABLE	C	0xFD8	clear interrupt enable bits	0x00
INT_SET_ENABLE	S	0xFDC	set interrupt enable bits	0x00
INT_STATUS	R	0xFE0	interrupt status bits	0x00
INT_ENABLE	R	0xFE4	interrupt enable bits	0x00
INT_CLR_STATUS	C	0xFE8	clear interrupt status bits	-
INT_SET_STATUS	S	0xFEC	set interrupt status bits	-
MODULE_ID	R	0xFFC	controller memory module identification	0xEFCC 1101

18.4.1 Wait state registers (WSTATE, WSTATE)

The EEPROM controller has no awareness of absolute time, while for EEPROM operations several minimum absolute timing constraints have to be met. Therefore it can only derive time from its clock by frequency division. The RWSTATE and WSTATE registers contain bit fields that specify the duration, in clock cycles, of diverse EEPROM operations. These fields are –1 encoded, so programming zero results in a duration of one clock cycle. For the values of the various phase durations, refer to the memory documentation.

Table 175. RWSTATE register (address 0x4003 4008) bit description

Bit	Symbol	Description	Reset value	Access
7:0	RPHASE2	duration of the EEPROM evaluation (read) phase	-	R/W
15:8	RPHASE1	duration of the EEPROM precharge phase	-	R/W
31:16	-	(reserved)	-	-

Table 176. WSTATE register (address 0x4003 4010) bit description

Bit	Symbol	Description	Reset value	Access
7:0	PHASE3	max. hold of all signals regarding write or program command	-	R/W
15:8	PHASE2	duration of the write or program command	-	
23:16	PHASE1	max. setup of any input regarding write or program command	-	R/W
30:24	-	(reserved)	-	-
31	LOCK_PARWEP	When set, all registers used for write/program timing configuration become read only. Therefore, logic 0 cannot be written to this bit after it has been set to logic 1	0	

18.4.2 EEPROM auto programming register (PAUTOPROG)

The auto programming register allows the user to let the controller start an erase/program cycle automatically after a write interface access. It is not necessary to program the CMD register after data has been written.

Table 177. PAUTOPROG register (address 0x4003 400C) bit description

Bit	Symbol	Value	Description	Reset value	Access
1:0	AUTOPROG		set Auto programming mode	0	R/W
		00b	auto programming switched off		
		01b	erase/program cycle is triggered after 1 word is written		
		10b	erase/program cycle is triggered after a write to the last word of a page		
		11b	(reserved)		
31:2			(reserved)	-	R

18.4.3 EEPROM program clock management registers (CLKDIV, CLKDIV1, CLKDIV2)

The EEPROM requires a specific clock to manage program/erase cycles. The requirements for the frequency of this clock are given in the EEPROM specifications. The EEPROM controller generates this clock by dividing a timing reference clock by a programmable division factor. If configuration option 'reference_clock' is selected, the timing reference clock is the dedicated input *refclk*; otherwise, it is the system clock *clk*.

If the 'reference_clock' option is selected, it is not possible to write to the clock management registers while program/erase is in progress.

Table 178. CLKDIV register (address 0x4003 4014) bit description

Bit	Symbol	Description	Reset value	Access
15:0	CLKDIV	0: program clock switched off; >0: clock division factor (-1 encoded)	0x0000	R
29:16	-	(reserved)	-	R
31:30	CLKMOD	amount of clock modulation (number of bits of random value added to CLKDIV at each clock cycle)	00b	-

Table 179. CLKDIV1 register (address 0x4003 4054) bit description

Bit	Symbol	Description	Reset value	Access
15:0	CLKDIV1	initial clock division factor, -1 encoded. Must always be CLKDIV	0x0000	R
31:16	CLKMOD	(reserved)	-	-

Table 180. CLKDIV2 register (address 0x4003 4058) bit description

Bit	Symbol	Description	Reset value	Access
15:0	CLKDIV2	number of program clock cycles after which the clock division factor is decremented, -1 encoded	0x0000	R
31:16	-	(reserved)	-	-

18.4.4 EEPROM power down register (PWRDWN)

This register enables the EEPROM to enter Power-down mode.

After exiting power-down, it is necessary to wait for a specific power-up time (100 μ s), before operation is resumed. The controller does not check for these conditions, nor does it block illegal operations.

The controller does not track if Power-down mode is in effect, and does not prevent its activation when the memory is busy. It is therefore forbidden to activate power-down while any memory operation is in progress. It is also forbidden to initiate any operation when the memory is in power-down or recovering from power-down. In relation to the above statements, initialization (which follows exit from reset) is considered a memory operation.

After exiting power-down, it is necessary to wait for a specific power-up time (100 s), before operation is resumed. The controller does not check for these conditions, nor does it block illegal operations. The VMPOK bit in the EEPROM status register indicates that the EEPROM is ready.

Table 181. PWRDWN register (address 0x4003 4020) bit description

Bit	Symbol	Description	Reset value	Access
0	PWRDWN	when bit is set, Power-down mode is in effect	0	R
31:1	-	(reserved)	-	-

18.4.5 Signature generation registers

The controller is able to compute a memory content signature across a user-specified address range. A data signature and a parity signature are computed; the data signature is based on ECC-corrected data, while the parity signature is based on uncorrected data.

Table 182. MSSTART register (address 0x4003 4020) bit description

Bit	Symbol	Description	Reset value	Access
15:0	STARTA	when bit is set, Power-down mode is in effect	0x0000	R
31:16	-	(reserved)	-	-

Table 183. MSSTOP register (address 0x4003 4024) bit description

Bit	Symbol	Description	Reset value	Access
15:0	STOPA	stop address for signature generation (the word specified by STOPA is included in the address range). The address is in units of memory words, not bytes. Bits 2:0 cannot be written and are forced to 111	0x0000	R/W
30:16	-	(reserved)	-	R
31	STRTBIST	when this bit is written to 1, signature generation starts. At the end of signature generation, this bit is automatically cleared	0	R/W

Table 184. MSDATASIG register (address 0x4003 4028) bit description

Bit	Symbol	Description	Reset value	Access
31:0	DATA_SIG	after signature generation has run, this field contains the data signature for the specified address range	0x0000 0000	W

Table 185. MSPARSIG register (address 0x4003 402C) bit description

Bit	Symbol	Description	Reset value	Access
0	PARITY_SIG	after signature generation has run, this field contains the parity signature for the specified address range	0	W
31:1	-	(reserved)	-	-

18.4.6 Registers with status information

Table 186. STATUS register (address 0x4003 4034) bit description

Bit	Symbol	Description	Reset value	Access
3:0	HVTRIM_E	when bit is set, Power-down mode is in effect	0	R
7:4	HVTRIM_P	trim value for the programming voltage	-	R
8	CORRECTED	ECC detected a correctable error	-	R
9	INVALID	ECC detected an uncorrectable error	-	R
10	ALL1	all bits in the last memory word read are high	-	R
11	ALL0	all bits in the last memory word read are Low	-	R
12	HVERR	high-voltage error	-	R
13	TMANALOG	Analog test mode is in effect	-	R
14	VMPOK	margin pump level OK	-	R
31:15	-	(reserved)	-	R

Table 187. ECCERRCNT register (address 0x4003 403C) bit description

Bit	Symbol	Description	Reset value	Access
0	INVALID_FLAG	set when an uncorrectable ECC error occurs. Cleared by writing logic 1 into ECCRSTERRCNT	0	R
4:1	ERRCOUNTER	incremented when an ECC correction occurs (saturates at 1111). Cleared by writing logic 1 into ECCRSTERRCNT	0x0	R
17:5	ERR_PAGE	page address of the last Location containing an ECC (correctable or uncorrectable) error. Only significant if ERRCOUNTER or INVALID_FLAG are non-zero	0x000	R
31:18	-	(reserved)	-	-

18.4.7 Interrupt registers

These registers determine when the EEPROM controller gives an interrupt request. The int_req output is asserted when the bit-wise AND of INT_STATUS and INT_ENABLE is non-zero.

If the corresponding INT_ENABLE bit is logic 0, an INT_STATUS register bit can be polled to test for the occurrence of an event.

The INT_STATUS register can be set for software testing purpose, by writing into the INT_SET_STATUS register.

Table 188. INT_CLR_ENABLE register (address 0x4003 4FD8) bit description

Bit	Symbol	Description	Reset value	Access
31:0	CLR_ENABLE	the INT_ENABLE bit is cleared when the corresponding CLR_ENABLE bit set to logic 1	0x0000 0000	-

Table 189. INT_SET_ENABLE register (address 0x4003 4FDC) bit description

Bit	Symbol	Description	Reset value	Access
31:0	SET_ENABLE	when a SET_ENABLE bit is set to logic 1, the corresponding INT_ENABLE bit is set, unless it is a reserved bit	0x0000 0000	-

Table 190. INT_CLR_STATUS register (address 0x4003 4FE8) bit description

Bit	Symbol	Description	Reset value	Access
31:0	CLR_STATUS	when a CLR_STATUS bit is set to logic 1, the corresponding INT_STATUS bit is cleared	0x0000 0000	-

Table 191. INT_ENABLE register (address 0x4003 4FE0) bit description

Bit	Symbol	Description	Reset value	Access
31:0	INT_ENABLE	if an INT_ENABLE bit is set to logic 1, an interrupt request is generated of the corresponding INT_STATUS bit is asserted	0x0000 0000	-

Table 192. INT_STATUS register (address 0x4003 4FE4) bit description

Bit	Symbol	Description	Reset value	Access
0	-	(reserved)	0	-
1	SIG_DONE	this status bit is set at the end of signature computation	0	

Table 192. INT_STATUS register (address 0x4003 4FE4) bit description *_continued*

Bit	Symbol	Description	Reset value	Access
2	PROG_DONE	this status bit is set at the end of a high-voltage operation (burn, erase, combined erase+program)	0	
3	ECC_ERR	this status bit is set if, during a memory read operation, the ECC decoding Logic detects a correctable or uncorrectable error. Either a user-requested read, a speculative read, or reads performed during initialization or during signature generation could set this bit	0	
31:4	-	(reserved)	-	

18.4.8 Module ID register (MODULE_ID)

Table 193. MODULE_ID register (address 0x4003 4FFC) bit description

Bit	Symbol	Description	Reset value	Access
7:0	APERTURE	the size of the memory encoded as (size/4kB) –1	0x01	R
11:8	MINOR_REV	minor revision of module implementation	0x01	R
15:12	MAJOR_REV	major revision of module implementation	0x01	R
31:16	-	identification number; unique module identifier indicating the module ID of the controller	0xEFCC	R

19. Flash controller

19.1 About this chapter

This chapter describes how to read and write to flash by accessing the flash controller registers directly. To support flash erasing and writing, functions are included in the IC. These In-Application-Programming (IAP) functions are described in [Section 6](#).

19.2 On-chip flash

The NHS31xx family contain a 32 kB Flash memory organized in 32 sectors of 1 kB each. Each sector consists of 16 rows of 16 × 32-bit words. The two topmost sectors contain the initialization code and IAP firmware.

Remark: .During an erase or program operation, the flash is not accessible.

19.3 Features

The Flash controller provides control mechanisms for the Flash memory. A detailed description can be found in the NVMC IP data sheet.

19.4 Functional description

19.4.1 Reading from Flash

Reading is done via the AHB interface. The memory is mapped on the bus address space as a contiguous address space. Memory data words are seen on the bus using a little endian arrangement: Bits in the memory word are grouped in bytes so that byte 0 is made of bits 7:0, byte 1 by bits 15:8, and so on. word 0, byte 0 is at byte address 0 in the bus, followed by word 0, byte 1, and so on, until word 0 is completed. The next address refers to word 1, byte 0, and so on.

The bus data width may have the same size as the memory data word, be wider, or smaller.

If a read transfer request is detected, one or more memory read operations are performed sequentially until the required data is made available.

In the case of multiple memory read operations to satisfy a single bus read request, the order in which operations are performed is unspecified. Therefore, all status bits which refer to the 'latest memory read' are related to just one of the many read operations performed. To identify precisely which status applies to which word, use a read size which matches the memory data size. Conversely, flags refer to the full word even if only part of a memory word is read.

If, when a read request is placed on the bus the memory is busy, additional wait states are inserted until the requested read can be started. This action may be because, for instance, the memory is busy due to writes, other reads, initialization or signature calculation.

If, when a read request is placed on the bus, the memory is busy doing program/erase, an error response is given on the bus. It is important to note that this request affects instruction fetch operations from the ARM core. Therefore, program code must be moved to SRAM before starting an erase/program cycle.

19.4.2 Writing to Flash

Writing to Flash means copying a word of data over the AHB to the Page Buffer of the Flash. It does not actually program the data in the memory array. This programming is done by subsequent erase and program cycles.

On Flash, there are two operations (sector selection and protection/unprotection) which require a variant of the 'standard' write cycle described below. In order to distinguish between these three functions, it is required to set FCTR register bits as follows before a write cycle:

- For page-register write; WPB=0, WEB=1, WRE=1, CS=1
- For sector selection; WPB=1, WEB=1, WRE=0, CS=1
- For sector protection/unprotection; WPB=1, WEB=1, WRE=1, CS=1

Note: Reading is not possible in all of the above cases.

In general, the row/sector address is not significant during writing itself, since writing only accesses the Page Buffer, which is one row wide. Nonetheless, during writing the full address is used in the following ways:

- Address range checks
- The address of the last written Location can be used to identify the row to be programmed. This usage can be done in case of automatic programming after a write, and in the case of a subsequent programming triggered through the control interface

Posted writes are performed if the memory is idle: the bus transaction completes immediately, and then the controller moves data to the memory while the bus is free for other non-memory-related transactions. However, if the memory is busy doing reads or previous writes, then additional wait states are inserted until the memory is free. The bus write is then completed and the controller-to-memory data transfer is started.

If, when a write request is placed on the bus, the memory is busy doing program/erase, an error response is given on the bus.

After a write, the controller will retain the last data written and the last address (possibly incremented, in the case of the 'register' write interface). It is possible that write address and data were provided previously, but the actual write cycle was not performed because the memory was not configured.

It is possible to start a memory write cycle using the previously provided information. This cycle can be done by setting the LOADREQ bit in the FCTR register. Other FCTR bits are configured to enable writing, sector selection or protection/unprotection. Bit LOADREQ always reads as logic 0.

19.4.3 Erasing/programming Flash

Erasing and programming are separate operations. Both are possible only on memory sectors that are *unprotected* and *unlocked*. Protect/Lock information is stored inside the memory itself, so the controller is not aware of protection status. Therefore, if a program/erase operation is performed on a protected or locked sector, it does not flag an error.

Locking - Each flash sector has a lock bit which is stored in the memory itself and Loaded on exit from reset from the index sector. The user cannot modify this lock bit; only its reset value in the index sector can be modified. Sectors containing firmware are, by default locked.

Protection - At exit from reset, all sectors are protected against accidental modification. To allow modification, a sector must be unprotected. It can then be protected again after that the modification is performed.

To protect/unprotect a sector, the following operations must be performed:

1. The FCTR register must be configured with bits WPB=1, WEB=1, WRE=1, CS=1 (note that reading is not possible in this case)
2. A memory write must be performed inside the address range of the sector to be protected/unprotected. Bit 0 of the memory word written updates the protection status (logic 0=unprotected, logic 1=protected)

Erasing can be performed on one or more sectors. If more than one sector must be erased, additional sectors must be selected first.

Erasing sets the content of all bits in the selected memory zone to logic 1.

To **select** a sector for erasing, the following operations must be performed:

1. The FCTR register must be configured with bits WPB=1, WEB=1, WRE=0, CS=1.
Note: reading is not possible in this case
2. A memory write must be performed inside the address range of the sector to be selected

Once a sector is selected, there is no means to deselect it before erase (it is deselected automatically at the end of erase). If a sector is mistakenly selected, it can be protected and an erase cycle started, which clears the selection latches. In this case, no sectors are erased.

Erase is also performed on the sector containing the address to which the latest write command was given prior to the erase command. In the case of page erase, only the page containing that address is erased.

To start **erase**, the following operations must be performed:

1. The TR field in the FPTR register must be initialized with the required erase pulse duration and the EN_T bit must be set;
2. The bit combination WPB=1, WEB=0, WRE=0, CS=1 must be written in the FCTR register. In the case of page erase, ERSP must be set to logic 1, otherwise ERSP must be logic 0

During erase, the RY bit in the FSTAT register is logic 0. It reverts to logic 1 at erase end.

At the end of erase, the PROG_DONE bit in the INT_STATUS register is set, and an interrupt is requested if enabled. FCTR bit WEB is set, and ERSP is cleared.

Programming can be performed on a Flash page. During programming, bits which are logic 0 in the page register are set to logic 0 also in the selected memory page. Bits which are logic 1 in the page register remain unchanged in the memory page.

Due to the presence of ECC, it is not allowed to modify additional bits inside a memory word where some bits have already been programmed. If allowed, the resulting ECC code in memory would then be the AND of the codes for the previous and new values written. This value could be inconsistent with the resulting data, potentially resulting in unwanted or missing bit corrections, or spurious error conditions.

If bit PDL in the FCTR register is set, the page register is set to all logic 1.

PDL must be manually cleared before writing the page register. Then the page register must be written with the data to be programmed, before starting the programming operation.

The page addressed in the latest write operation is programmed. To start programming, the following operations must be performed:

1. The TR field in the FPTR register must be initialized with the required program pulse duration (number of timing reference clock cycles: either *clk* or *refclk* clock is used, depending on the 'reference_clock' configuration option), and the EN_T bit must be set
2. The bit combination WPB=1, WEB=0, WRE=1, CS=1 must be written in the FCTR register. ERSP must be 0

During programming, the RY bit in the FSTAT register is logic 0. It reverts to logic 1 at end of program.

At the end of program, the PROG_DONE bit in the INT_STATUS register is set, and an interrupt is requested if enabled. FCTR bit WEB is set.

Remark: During an erase or program operation, the flash is not accessible. Hence, if the Interrupt Vector Table is placed in Flash (default setup) the application should make sure that no interrupts are triggered. Accessing the table, if in flash, results in a hard fault.

19.4.4 Signature computation

This function reads all memory words within a specified address range, computing signatures for the read data and associated parity bits. Software can then compare the two signatures with the corresponding expected values: if both data and parity signatures match, then the memory content is as expected. If only the data signature matches, some memory bits were wrong, but ECC managed to correct these errors, so user data is still correct. If the data signature is wrong, the memory content does not match the expected data.

The address range is specified by writing the start address in register field STARTA, and the end address in register field STOPA. Both of these addresses are included in the range. These addresses are memory word addresses, not bus addresses, i.e. they represent the byte address divided by the size in bytes of a memory word. It is not possible to specify an address in the index sector address space (i.e. with the MSB set). However, it is possible to set the ISS bit in the FCTR register and thus perform a check on the index sector content.

Setting register bit STRTBIST starts signature computation. Since STOPA and STRTBIST are fields of the same register, they can be set with a single control write operation. At the end of the signature computation, computed data and parity signatures are available in the DATA_SIG and PARITY_SIG register fields.

The SIGNATURE_DONE interrupt status bit is set at the end of signature computation.

While the controller is busy doing signature computation, all reads and writes, both on the memory interfaces and on the control interface, are stalled.

Both data and parity signatures are computed through MISR registers, which are zeroed at the start of signature computation. They are updated in the following way every time a new data word is made available:

- XOR is applied to some selected bits (shown in [Table 194](#)) of the previous signature value and the result is placed in bit 0
- The resulting value is rotated right 1 bit (i.e. bit 1 goes into bit 0, bit 0 goes into the MSB, and so on,...)
- XOR is applied to the input data, bit by bit, with the result of the above mentioned rotation
- The result of this last operation is the new signature value

Table 194. Feedback bits for MISR computation

signature size	1 st tap position	2 nd tap position	3 rd tap position
16	4	13	15
32	10	30	31
128	2	27	29

For the data signature, read data (after a possible ECC correction) is the input data of the data signature. Thus, the DATA_SIG register has the same size as the memory word. An exception is when the memory data word is 256 bits wide, the signature is still 128 bits wide: in this case, data is sent to the MISR twice, first bits 127-0 and then bits 255-128, applying each time the algorithm described above.

To reduce the possibility that invalid content has the same signature as correct content, the parity signature is always 16 bits wide, even though parity bits are less. Input data for the signature algorithm is obtained as follows: uncorrected parity bits occupy the least significant bits, followed by the ECC 'CORRECTED' flag and then the ECC 'INVALID' error flag. Finally, zeros are used to extend the value to 16. In analogy with the data signature, for 256-bit memories, the parity signature is also updated twice for each word. It is updated using the 8 parity bits and the two ECC flags pertaining to each half of the 256-bit word, in the same order.

19.5 Register descriptions

Table 195. Register overview: Flash memory controller (base address 0x4004 C000)

Name	Access	Address offset	Description	Reset value
FCTR	R/W	0x000	flash control register	0x5
FSTAT	R	0x004	flash status register	-
FPTR	R/W	0x008	flash program-time register	0x0
FBWST	R/W	0x010	flash wait state register	
FCRA	R/W	0x01C	flash program clock divider	0x0
FMSSTART	R/W	0x020	flash checksum start address register	0x0
FMSSTOP	R/W	0x024	flash checksum stop address register	0x0
FMS16	R	0x028	flash parity signature register	-
FMSW0	R	0x02C	flash data signature register	-
ECCRSTERRCNT	R	0x050	ECC status information	0x0
ECCERRCNT	R/W	0x054	invalid flag and error corrected counter reset	0x0
MODULE_CONFIG	R	0xFD0	controller configuration options	
INT_CLR_ENABLE	C	0xFD8	clear interrupt enable bits	0x0
INT_SET_ENABLE	S	0xFDC	set interrupt enable bits	0x0
INT_STATUS	R	0xFE0	interrupt status bits	0x0
INT_ENABLE	R	0xFE4	interrupt enable bits	0x0
INT_CLR_STATUS	C	0xFE8	clear interrupt status bits	
INT_SET_STATUS	S	0xFEC	set interrupt status bits	
MODULE_ID	R	0xFFC	controller memory module identification	0xEFCC 110F

19.5.1 Flash Control register (FCTR)

The Flash control register is used to select Read modes, and to control the programming of the flash memory.

Table 196. FCTR register (address 0x4003 C000) bit description

Bit	Symbol	Description	Reset value	Access
0	CS	when logic 0, the device is in Standby mode. CS must be logic 1 for proper operation	0x1	R/W
1	WRE	when bit WPB=1, this bit selects between erase (WRE=0) and program (WRE=1). When WPB=0, it selects between read (WRE=0) and write (WRE=1)	0x0	R/W
2	WEB	when this bit is cleared, program/erase starts. It is automatically set to logic 1 at the end of the operation	0x1	R/W
3	-	(reserved)	-	-
4	DCR	when logic 1, DC Read mode is selected	0x0	R/W
5	RLD	when logic 1, the page register data-latches are read instead of the matrix. Row & sector address bits are not significant	0x0	R/W
6	ISS	when logic 1, the index sector is accessed instead of the main array. When logic 0, the MSB of the address bus determines index sector access	0x0	R/W

Table 196. FCTR register (address 0x4003 C000) bit description

Bit	Symbol	Description	Reset value	Access
7	WPB	when logic 1, program/erase is enabled. When 0, read or write is selected, depending on bit WEB	0	R/W
8	ERSP	if set to logic 1, single page Erase mode is enabled. The bit is automatically reset at the end of the erase cycle	0	R/W
9	PD	when high, the memory is forced into Power-down mode	0	R/W
10	PDL	when high, the page register is preset to all logic 1	0	R/W
11	RLS	when logic 1, sector latches are read instead of the memory array.	0	R/W
12	PROGREQ	logic 1 whenever the memory is busy doing program/erase	0	R
13	-	(reserved)	-	-
14	-	(reserved)	-	-
15	LOADREQ	When it is written with logic 1, a memory write operation is triggered. Always reads as logic 0	0	R/W
16	REMAP	when logic 1, address remapping is enabled	0	R/W
17	INIT_WR	writing a logic 1 to this field together with reset values for all other fields of the FCTR register starts write initialization. Once set, only a controller reset clears this bit	0	R/W
18	LPM	when set, the memory goes into Low-power mode	1	R/W
19	PDBG	when set, band gap goes into Power-down mode	1	R/W
31:20	-	(reserved)	-	-

The Flash initialization has two stages: the Read mode initialization is started after reset. The Write mode initialization is triggered (once) by writing logic 1 to the INIT_WR bit. Subsequent writes are ignored. Flash access during an initialization cycle results in a bus stall.

19.5.2 Flash status register (FSTAT)

Table 197. FSTAT register (address 0x4003 C010) bit description

Bit	Symbol	Description	Reset value	Access
1:0	-	(reserved)	0	R
2	RY	RY=logic 1 whenever the flash is not busy reading, programming or erasing	0	R
4:3	-	(reserved)	-	-
7:5	SL	sector latches: bit 2=selected, 1=locked, 0=protected	0	R
8	CORRECTED	ECC detected a correctable error	0	R
31:9	-	(reserved)	-	-

19.5.3 Flash wait state register (FBWST)

To manage memory operation, it is often necessary to wait for some amount of time. The only time reference that the controller has is its clock, so all time delays have to be expressed in terms of number of clock cycles.

The reference value for all delays is in the data sheet of the corresponding memory. To specify a value to the controller, the delay value quoted in the data sheet must be divided by the period of the *clk* clock. A non-integer result must be rounded up, since delays are normally minimum delays.

The controller uses '-1 based encoding' inside register bit fields to specify delay values. The number of clock cycles minus 1 is written to these fields. So each delay has a minimum value of 1 *clk* cycle, corresponding to the code logic 0.

Table 198. FBWST register (address 0x4003 C010) bit description

Bit	Symbol	Description	Reset value	Access
7:0	WST	number of wait states	0x00	R/W
13:8	-	(reserved)	0x0	R
14	SPECALWAYS	speculative reading: logic 0 - single speculative reading; logic 1 - always speculative reading	1	R/W
15	CACHE2EN	when caching is enabled: if this bit is logic 1, more than a word can be cached; otherwise only the last word read is kept in the cache. When caching is disabled or unavailable, this bit has no effect	1	R/W
31:8	-	(reserved)	-	R

Table 199. WST values for different Flash operating modes (FCTR settings) and system clock speed

System clock	Read/write mode	Low-power Read mode
8 MHz	0x0000 0000	0x0000 0001
4 MHz - 62.5 kHz	0x0000 0000	0x0000 0000

19.5.4 Registers for program/erase management

The following registers provide timing references needed during program and erase operations: FPTR selects the duration of the program/erase operation, and FCRA selects the frequency of the program/erase clock.

Table 200. FPTR register (address 0x4003 C008) bit description

Bit	Symbol	Description	Reset value	Access
11:0	EN_T	when set, timer starts. It is automatically cleared when TR reaches logic 0	0x000	R
28:11	TR	duration of the program/erase pulse, in timing reference clock cycles	0x0	R
31:29	-	(reserved)	-	-

Table 201. FCRA register (address 0x4003 C01C) bit description

Bit	Symbol	Description	Reset value	Access
11:0	FCRA	when logic 0, FCRA clock is stopped. Otherwise, its frequency is the timing reference clock frequency divided by (FCRA+1)	0x000	R/W
31:12	-	(reserved)	-	-

If the `reference_clock` option is selected, once the program/erase clock is started, register FCRA can only be written with logic 0 to stop the program/erase clock. Writing any other value reports an error. It is also not possible to stop the clock during program or erase. furthermore, after writing FCRA, it is necessary to wait 2 *clk* clock cycles and 2 *refclk* clock cycles before the register is writable again.

19.5.5 Signature generation registers

The controller is able to compute a memory content signature across a user-specified address range. A data signature and a parity signature are computed; the data signature is based on ECC-corrected data, while the parity signature is based on uncorrected data.

Table 202. FMSSTART register (address 0x4003 C020) bit description

Bit	Symbol	Description	Reset value	Access
16:0	STARTA	start address for signature generation. The address is in units of memory words, not bytes. Bits 2:0 cannot be written and are forced to 000b	0	R/W
31:17	-	(reserved)	-	-

Table 203. FMSSTOP register (address 0x4003 C024) bit description

Bit	Symbol	Description	Reset value	Access
16:0	STOPA	stop address for signature generation (the word specified by STOPA is included in the address range). The address is in units of memory words, not bytes. Bits 2:0 cannot be written and are forced to 111b	0	R/W
30:17	-	(reserved)	-	-
31	STRTBIST	when this bit is written as logic 1, signature generation starts. At the end of signature generation, this bit is automatically cleared	0	-

[1] Index sector addresses cannot be specified in FMSSTART and FMSSTOP.

Table 204. FMS16 register (address 0x4003 C028) bit description

Bit	Symbol	Description	Reset value	Access
15:0	-	after signature generation has run, this field contains the parity signature for the specified address range	0x0000	R/W
31:16	-	(reserved)	-	-

Table 205. FMSW0 register (address 0x4003 C02C) bit description

Bit	Symbol	Description	Reset value	Access
31:0	-	after signature generation has run, this field contains the data signature for the specified address range	0x0000 0000	R/W
31:16	-	(reserved)	-	-

19.5.6 Registers with ECC status information

Table 206. ECCRSTERRCNT register (address 0x4003 C050) bit description

Bit	Symbol	Description	Reset value	Access
0	ECCRSTERRCNT	when set to logic 1, it clears the ECCERRCNT register. Always reads as logic 0	0	R
31:1	-	(reserved)	-	-

Table 207. ECCERRCNT register (address 0x4003 C054) bit description

Bit	Symbol	Description	Reset value	Access
0	INVALID_FLAG	set when an uncorrectable ECC error occurs. Cleared by writing logic 1 into ECCRSTERRCNT	0	R
4:1	ERRCOUNTER	incremented when an ECC correction occurs (saturates at 1111b). Cleared by writing logic 1 into ECCRSTERRCNT		
17:5	ERR_PAGE	page address of the last Location containing an ECC (correctable or uncorrectable) error. Only significant if ERRCOUNTER or INVALID_FLAG are non-zero		
31:18	-	(reserved)	-	-

19.5.7 Interrupt registers

These registers determine when the NVMC gives an interrupt request. The int_req output is asserted when the bit-wise AND of INT_STATUS and INT_ENABLE is non-zero.

If the corresponding INT_ENABLE bit is logic 0, an INT_STATUS register bit can be polled to test for the occurrence of an event.

The INT_STATUS register can be set for software testing purpose, by writing into the INT_SET_STATUS register.

Table 208. INT_CLR_ENABLE register (address 0x4003 CFD8) bit description

Bit	Symbol	Description	Reset value	Access
31:0	CLR_ENABLE	when a CLR_ENABLE bit is set to logic 1, the corresponding INT_ENABLE bit is cleared	0x0000 0000	-

Table 209. INT_SET_ENABLE register (address 0x4003 CFDC) bit description

Bit	Symbol	Description	Reset value	Access
31:0	SET_ENABLE	when a SET_ENABLE bit is set to logic 1, the corresponding INT_ENABLE bit is set, unless it is a reserved bit	0x0000 0000	-

Table 210. INT_CLR_STATUS register (address 0x4003 CFE8) bit description

Bit	Symbol	Description	Reset value	Access
31:0	CLR_STATUS	when a CLR_STATUS bit is set to logic 1, the corresponding INT_STATUS bit is cleared	0x0000 0000	-

Table 211. INT_SET_STATUS register (address 0x4003 CFEC) bit description

Bit	Symbol	Description	Reset value	Access
31:0	SET_STATUS	when a SET_STATUS bit is set to logic 1, the corresponding INT_STATUS bit is set, unless it is a reserved bit	0x0000 0000	-

Table 212. INT_ENABLE register (address 0x4003 CFE0) bit description

Bit	Symbol	Description	Reset value	Access
31:0	INT_ENABLE	if an INT_ENABLE bit is set to logic 1, an interrupt request is generated of the corresponding INT_STATUS bit is asserted	0x0000 0000	-

Table 213. INT_STATUS register (address 0x4003 CFE4) bit description

Bit	Symbol	Description	Reset value	Access
0	-	(reserved)	-	-
1	SIG_DONE	this status bit is set to logic 1 at the end of signature computation	0	-
2	PROG_DONE	this status bit is set to logic 1 at the end of a high-voltage operation (burn, erase, combined erase+program)	0	-
3	ECC_ERR	this status bit is set to logic 1 if, during a memory read operation, ECC decoding logic detects a correctable or uncorrectable error. This read may be either a user-requested read, a speculative read or reads performed during initialization or during signature generation	0	-
31:4	-	(reserved)	-	-

19.5.8 Module ID register (MODULE_ID)

Table 214. MODULE_ID register (address 0x4003 CFFC) bit description

Bit	Symbol	Description	Reset value	Access
7:0	APERTURE	the size of the memory encoded as (size/4kB) –1	0x0F	R
11:8	MINOR_REV	minor revision of module implementation	0x1	R
15:12	CORRECTED	major revision of module implementation	0x1	R
31:16	-	identification number; unique module identifier indicating the module ID of the controller	0xEFCC	R

20. I²C-bus interface

20.1 About this chapter

This chapter describes the I²C-bus operation and the software interface. It also explains how to use the I²C-bus for wake-up from reduced power modes.

The I²C-bus interface is available on all NHS31xx family members.

20.2 General description

A typical I²C-bus configuration is shown in [Figure 28](#). Depending on the state of the direction bit (R/W), two types of data transfers are possible on the I²C-bus:

1. Data transfer from a master transmitter to a slave receiver. The first byte transmitted by the master is the slave address. Next follows a number of data bytes. The slave returns an acknowledge (ACK) bit after each received byte.
2. Data transfer from a slave transmitter to a master receiver. The master transmits the first byte (the slave address). The slave responds by returning an ACK bit. The slave then transmits the data bytes to the master. The master returns an ACK bit after all received bytes other than the last byte. At the end of the last received byte, a 'not-acknowledge' (NACK) is returned. The master device generates all of the serial clock pulses and the START and STOP conditions. A transfer is ended with a STOP condition or with a Repeated-START condition. As a Repeated-START condition is also the beginning of the next serial transfer, the I²C bus is not released.

The I²C-bus interface is byte oriented and has four operating modes: Master transmitter mode, Master receiver mode, Slave transmitter mode and Slave receiver mode.

The I²C interface is completely I²C-bus compliant, supporting the ability to power off the NHS31xx independent of other devices on the same I²C-bus.

The I²C-bus interface receives an 8 MHz clock signal from the system oscillator.

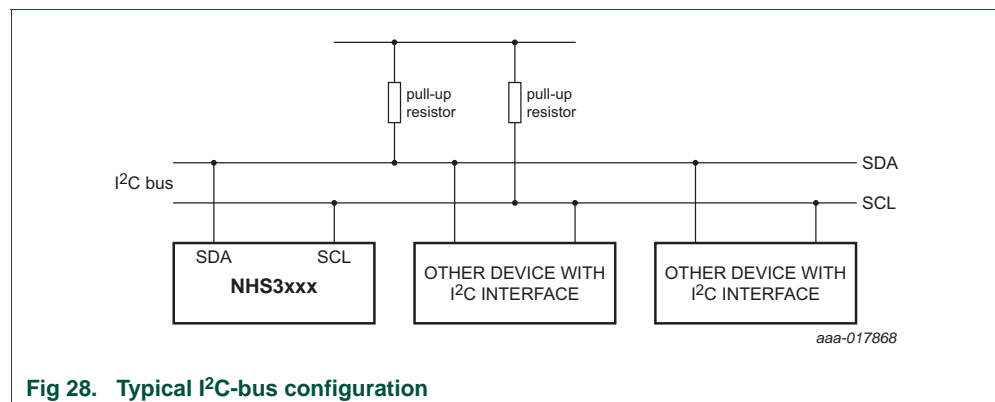


Fig 28. Typical I²C-bus configuration

20.3 Features

Standard I²C-bus compliant bus interfaces may be configured as master, slave, or master/slave.

- Arbitration is handled between simultaneously transmitting masters without corruption of serial data on the bus
- Programmable clock allows adjustment of I²C-bus transfer rates
- Data transfer is bidirectional between masters and slaves
- Serial clock synchronization allows devices with different bit rates to communicate via one serial bus
- Serial clock synchronization is used as a handshake mechanism to suspend and resume serial transfer
- Supports Standard (100 kbit/s) and Fast-mode (400 kbit/s)
- Optional recognition of up to four slave addresses
- Monitor mode allows observing all I²C-bus traffic, regardless of slave address
- The I²C-bus can be used for test and diagnostic purposes
- The I²C-bus contains a standard I²C-bus-compliant bus interface with two pins
- Possible to wake up NHS31xx on matching I²C-bus slave address

20.4 Configuration

The I²C-bus interface is configured using the registers in the APB block at address 0x4000 0000, plus the following:

- The I²C-bus pin functions and the I²C-bus mode are configured in the IOCON register block.
- Power and peripheral clock: In the SYSAHBCLKCTRL register, set bit 5.
- Reset: Before accessing the I²C-bus block, ensure that the I2C_RST_N bit (bit 1) in the PRESETCTRL register is set to logic 1. Setting this bit de-asserts the reset signal to the I²C-bus block.

20.5 Applications

Interfaces to external I²C-bus standard parts, such as serial RAMs, LCDs, tone generators and other microcontrollers.

20.6 Pin description

The I²C-bus pins must be configured through the PIO0_4 ([Table 271](#)) and PIO0_5 ([Table 272](#)) registers for Standard or Fast-mode. The I²C-bus pins are open-drain outputs and fully compatible with the I²C-bus specification.

Table 215. I²C-bus pin description

Pin	Type	Description
SDA	I/O	I ² C-bus serial data
SCL	I/O	I ² C-bus serial Clock

20.7 Register descriptions

The register addresses of the I²C-bus controller are shown in [Table 216](#)

The reset values reflect the data stored in used bits only, it does not include the content of reserved bits.

Table 216. Register overview of the I²C-bus controller (base 0x4000 000)

Name	Access	Address offset	Description	Reset value
CONSET	R/W	0x000	I ² C-bus Control Set Register. When a logic 1 is written to a bit of this register, the corresponding bit in the I ² C-bus control register is set. Writing a logic 0 has no effect on the corresponding bit in the I ² C-bus control register	0
STAT	R	0x004	I ² C-bus Status Register. During I ² C-bus operation, this register provides detailed status codes that allow software to determine the next action needed	0xF8
DAT	R/W	0x008	I ² C-bus Data Register. During master or Slave transmit mode, data to be transmitted is written to this register. During Master receive mode or Slave receive mode, data that has been received may be read from this register	0
ADR0	R/W	0x00C	I ² C-bus slave Address Register 0. Contains the 7-bit slave address for operation of the I ² C-bus interface in Slave mode, and is not used in Master mode. The least significant bit determines whether a slave responds to the General Call address. This address is also used for device wake-up	0
SCLH	R/W	0x010	SCH duty Cycle Register High halfword. Determines the high time of the I ² C-bus clock	0
SCLL	R/W	0x014	SCL duty Cycle Register Low halfword. Determines the low time of the I ² C-bus clock. I2nSCLL and I2nSCLH together determine the clock frequency generated by an I ² C-bus master and certain times used in Slave mode	0
CONCLR	R/W	0x018	I ² C-bus Control Clear Register. When a logic 1 is written to a bit of this register, the corresponding bit in the I ² C-bus control register is cleared. Writing a logic 0 has no effect on the corresponding bit in the I ² C-bus control register	0
MMCTRL	R/W	0x01C	Monitor Mode control register	0
ADR1	R/W	0x020	I ² C-bus slave Address Register 1. Contains the 7-bit slave address for operation of the I ² C-bus interface in Slave mode, and is not used in Master mode. The least significant bit determines whether a slave responds to the General Call address	0
ADR2	R/W	0x024	I ² C-bus slave Address Register 2. Contains the 7-bit slave address for operation of the I ² C-bus interface in Slave mode, and is not used in Master mode. The least significant bit determines whether a slave responds to the General Call address	0
ADR3	R/W	0x028	I ² C-bus slave Address Register 3. Contains the 7-bit slave address for operation of the I ² C-bus interface in Slave mode, and is not used in Master mode. The least significant bit determines whether a slave responds to the General Call address	0
DATA_BUFFER	R	0x02C	Data buffer register. The 8 MSBs of the I2DAT shift register will be transferred to the DATA_BUFFER automatically after every 9 bits have been received on the bus. These 9 bits consist of 8 data bits plus ACK or NACK	0
MASK0	R/W	0x030	I ² C-bus slave address mask register 0. This mask register is associated with I2ADR0 to determine an address match. The mask register has no effect when comparing to the General Call address ('000 0000')	0

Table 216. Register overview of the I²C-bus controller (base 0x4000 000) *_continued*

Name	Access	Address offset	Description	Reset value
MASK1	R/W	0x034	I ² C-bus slave address Mask register 0. This mask register is associated with I2ADR0 to determine an address match. The mask register has no effect when comparing to the General Call address ('000 0000')	0
MASK2	R/W	0x038	I ² C-bus slave address Mask register 0. This mask register is associated with I2ADR0 to determine an address match. The mask register has no effect when comparing to the General Call address ('000 0000')	0
MASK3	R/W	0x03C	I ² C-bus slave address Mask register 0. This mask register is associated with I2ADR0 to determine an address match. The mask register has no effect when comparing to the General Call address ('000 0000')	0

20.7.1 I²C Control Set register (CONSET)

The CONSET register manages bits in the CON register that control the operation of the I²C-bus interface. Writing a logic 1 to a bit of this register causes the corresponding bit in the I²C-bus control register to be set. Writing a logic 0 has no effect.

Table 217. CONSET register (address 0x4000 0000) bit description

Bit	Symbol	Description	Reset value
1:0	-	(reserved)	0
2	AA	Assert ACK flag	0
3	SI	I ² C-bus interrupt flag	0
4	STO	STOP flag	0
5	STA	START flag	0
6	I2EN	I ² C-bus interface enable	0
31:7	-	(reserved)	0

AA — Assert Acknowledge Flag. When set to logic 1, an acknowledge (LOW level to SDA) is returned during the acknowledge clock pulse on the SCL line on the following situations:

- The address in the slave Address Register has been received
- The General Call address has been received while the General Call bit (GC) in the ADR register is set
- A data byte has been received while the I²C-bus is in the Master receiver mode
- A data byte has been received while the I²C-bus is in the addressed Slave receiver mode

Writing logic 1 to the AAC bit in the CONCLR register clears the AA bit. When AA is logic 0, a NACK (HIGH level to SDA) is returned during the acknowledge clock pulse on the SCL line for the following situations:

- A data byte has been received while the I²C-bus is in the Master receiver mode
- A data byte has been received while the I²C-bus is in the addressed Slave receiver mode.

SI — I²C-bus Interrupt Flag. This bit is set when the I²C-bus state changes. However, entering state F8 does not set SI since there is nothing for an interrupt service routine to do in that case.

While SI is set, the low period of the serial clock on the SCL line is stretched, and the serial transfer is suspended. When SCL is HIGH, it is unaffected by the state of the SI lag. Writing a logic 1 to the SIC bit in the CONCLR register resets SI.

STA — START flag. When in Master mode, setting this bit causes the I²C-bus interface to enter Master mode and transmit a START, or Repeated-START, condition.

If the bus is free and STA is logic 1, and the I²C-bus interface is not already in Master mode, it enters Master mode. It checks the bus and generates a START condition. If the bus is not free, it waits for a STOP condition, which frees the bus. Then, after a delay of a half clock period of the internal clock generator, it generates a START condition. If the I²C-bus interface is already in Master mode, and data has been transmitted or received, it transmits a Repeated-START condition. STA may be set at any time, including when the I²C-bus interface is in an addressed Slave mode.

Writing logic 1 to the STAC bit in the CONCLR register clears STA. When STA is logic 0, no START condition or Repeated-START condition is generated.

If STA and STO are both logic 1, then a STOP condition is transmitted on the I²C-bus if the interface is in Master mode. It transmits a START condition thereafter. If the I²C-bus interface is in Slave mode, an internal STOP condition is generated but is not transmitted on the bus.

STO — STOP flag. Setting this bit causes the I²C-bus interface to transmit a STOP condition in Master mode, or recover from an error condition in Slave mode. When STO is logic 1 in Master mode, a STOP condition is transmitted on the I²C-bus. When the bus detects the STOP condition, STO is cleared automatically.

In Slave mode, setting this bit can recover from an error condition. In this case, no STOP condition is transmitted to the bus. The hardware behaves as if a STOP condition has been received and it switches to 'not addressed' Slave receiver mode. Hardware automatically clears the STO flag.

I2EN — I²C-bus Interface Enable. When I2EN is logic 1, the I²C-bus interface is enabled. Writing logic 1 to the I2ENC bit in the CONCLR register clears I2EN. When I2EN is logic 0, the I²C-bus interface is disabled.

When I2EN is logic 0, the SDA and SCL input signals are ignored, the I²C-bus block is in the not-addressed slave state. The STO bit is forced to logic 0.

Do not use I2EN to release the I²C-bus temporarily since, when I2EN is reset, the I²C-bus status is lost. The AA flag should be used instead.

20.7.2 I²C Status register (STAT)

The I²C-bus Status register reflects the condition of the corresponding I²C-bus interface. The I²C-bus Status register is read-only.

Table 218. STAT register (address 0x4000 0004) bit description

Bit	Symbol	Description	Reset value
2:0	-	(reserved)	0
7:3	Status	actual status information of the I ² C-bus interface	11111b
31:8	-	(reserved)	0

The three least significant bits are always logic 0. Taken as a byte, the status register contents represent a status code. There are 26 possible status codes. When the status code is 0xF8, there is no relevant information available and the SI bit is not set. All other 25 status codes correspond to pre-defined I²C-bus states. When any of these states entered, the SI bit is set. For a complete list of status codes, refer to [Table 233](#) to [Table 238](#).

20.7.3 I²C-bus Data register (DAT)

This register contains the data to be transmitted or the data most recently received. The CPU can read and write to this register only while not in the process of shifting a byte, when the SI bit is set. Data in DAT register remains stable as long as the SI bit is set. Data in DAT register is always shifted from right to left; the first bit to be transmitted is the MSB, bit 7. After a byte has been received, the first bit of received data is in the MSB of the DAT register.

Table 219. DAT register (address 0x4000 0008) bit description

Bit	Symbol	Description	Reset value
7:0	Data	data values that have been received or waiting for transmission.	0
31:8	-	(reserved)	0

20.7.4 I²C-bus Slave Address register 0 (ADR0)

This register is readable and writable and is only used when an I²C-bus interface is set to Slave mode. In Master mode, this register has no effect. The LSB of the ADR register is the General Call bit. When this bit is set, the General Call address (0x00) is recognized. If this register contains 0x00, the I²C-bus does not acknowledge any address on the bus. All four registers (ADR0 to ADR3) are cleared to this disabled state on reset. See also [Table 226](#).

Table 220. ADR0 register (address 0x4000 000C) bit description

Bit	Symbol	Description	Reset value
0	GC	general call enable bit	0
7:1	Address	I ² C-bus device address in Slave mode	0
31:8	-	(reserved)	0

20.7.5 I²C-bus SCL High and Low duty cycle registers (SCLH / SCLL)

The I2C_PCLK runs at a constant 8 MHz clock rate.

Table 221. SCLH register (address 0x4000 0010) bit description

Bit	Symbol	Description	Reset value
15:0	SCLH	count for SCL high time period selection	0
31:16	-	(reserved)	0

Table 222. SCLL register (address 0x4000 0014) bit description

Bit	Symbol	Description	Reset value
15:0	SCLH	count for SCL low time period selection	0
31:16	-	(reserved)	0

Software must set values for the registers SCLH and SCLL to select the appropriate data rate and duty cycle. SCLH defines the number of I2C_PCLK cycles for the SCL HIGH time, SCLL defines the number of I2C_PCLK cycles for the SCL low time. The following formula determines the frequency (I2CPCLK is the frequency of the peripheral I2C-bus clock):

$$I2Cfreq = \frac{I2CPCLK}{SCLH + SCLL} \quad (4)$$

The values for SCLL and SCLH must ensure that the data rate is in the appropriate I2C-bus data rate range. Table 223 gives some examples of I2C-bus rates based on PCLK frequency and SCLL and SCLH values.

Table 223. SCLL + SCLH values for selected I2C-bus clock rates

I2C-bus mode	I2C-bus bit frequency	I2C_PCLK = 8 MHz ^[1]
Standard mode	100 kHz	80
Fast-mode	400 kHz	20

[1] Restrictions apply based on the ARM clock

SCLL and SCLH values should not necessarily be the same. Software can set different duty cycles on SCL by setting these two registers. For example, the I2C-bus specification defines the SCL low time and high time at different values for a Fast-mode I2C-bus.

20.7.6 I2C-bus Control Clear register (CONCLR)

The CONCLR register control clearing of bits in the I2C-bus control register (CON) that controls operation of the I2C-bus interface. Writing a logic 1 to a bit of this register causes the corresponding bit in the ICON register to be cleared. Writing a logic 0 has no effect.

Table 224. CONCLR register (address 0x4000 0018) bit description

Bit	Symbol	Description	Reset value
1:0	-	(reserved)	0
2	AAC	assert acknowledge flag	0
3	SIC	I2C-bus interrupt clear bit	0
4	-	(reserved)	0
5	STAC	START flag clear bit	0
6	I2ENC	I2C-bus interface disable bit	0
31:7	-	(reserved)	-

AAC — Assert Acknowledge Clear bit. Writing a logic 1 to this bit clears the AA bit in the CONSET register.

SIC — I2C-bus Interrupt Clear bit. Writing a logic 1 to this bit clears the SIC bit in the CONSET register.

STAC — START flag Clear bit. Writing a logic 1 to this bit clears the STAC bit in the CONSET register.

I2ENC — I²C-bus Interface Disable bit. Writing a logic 1 to this bit clears the I2EN bit in the CONSET register.

20.7.7 I²C-bus Monitor mode control register (MMCTRL)

This monitor mode cannot detect the ACK bit.

Table 225. MMCTRL register (address 0x4000 001C) bit description

Bit	Symbol	Value	Description	Reset value
0	MM_ENA		Monitor mode enable	0
		0	Monitor mode disabled	
		1	the I ² C-bus module enters Monitor mode. In this mode, the SDA output is forced HIGH. The I ² C-bus module is prevented from outputting data of any kind (including ACK) onto the I ² C-bus data bus. Depending on the state of the ENA_SCL bit, the output may be also forced high. This action prevents the module from having control over the I ² C-bus clock line	
1	ENA_SCL		SCL output enable	0
		0	when this bit is cleared to logic 0, the SCL output is forced high when the module is in Monitor mode. As described above, this action prevents the module from having any control over the I ² C-bus clock line	
		1	when this bit is set, the I ² C-bus module may exercise the same control over the clock line that it would in normal operation. Therefore, by acting as a slave peripheral, the I ² C module stretches the clock line (holds it low) until it has had time to respond to an I ² C-bus interrupt	
2	MATCH_ALL		select interrupt register match	0
		0	when this bit is cleared, an interrupt is only generated when a match occurs to one of the (up-to) 4 address registers described above. That is, the module responds as a normal slave as far as address-recognition is concerned	
		1	when this bit is set to logic 1 and the I ² C-bus is in Monitor mode, an interrupt is generated on ANY address received. This interrupt generation enables the part to monitor all traffic on the bus	
31:3	-	-	(reserved)	0

Remark: If the MM_ENA is logic 0 (i.e. if the module is NOT in Monitor mode), the ENA_SCL and MATCH_ALL bits have no effect.

Interrupt in Monitor mode

All interrupts occur as normal when the module is in Monitor mode. The first interrupt occurs when an address-match is detected. An address-match is address received if the MATCH_ALL bit is set, or an address matching one of the four address registers.

Subsequent to an address-match detection, interrupts are generated in the following cases: After each data byte is received for a slave-write transfer, or after each byte that the module 'thinks' it has transmitted for a slave-read transfer. In this second case, the data register actually contains data transmitted by another slave on the bus addressed by the master.

Following all of these interrupts, the processor may read the data register to see what was transmitted on the bus.

Loss of arbitration in Monitor mode

In Monitor mode, the I²C-bus module is unable to respond to a request for information by the bus master or issue an ACK. Some other slave on the bus responds instead. This probably results in a lost-arbitration state as far as our module is concerned.

Software should be aware of the fact that the module is in Monitor mode and should not respond to any loss of arbitration state detected. In addition, hardware may be designed into the module to block some/all loss of arbitration states from occurring. This design would be necessary if those states would either prevent a desired interrupt from occurring or cause an unwanted interrupt to occur.

20.7.8 I²C-bus slave address registers 1:3 (ADR1/2/3)

This register is readable and writable and is only used when an I²C-bus interface is set to Slave mode. In Master mode, this register has no effect. The LSB of the ADR register is the General Call bit. When this bit is set, the General Call address (0x00) is recognized. If this register contains 0x00, the I²C-bus does not acknowledge any address on the bus. All four registers (ADR0 to ADR3) are cleared to this disabled state on reset. See also [Table 220](#).

Table 226. ADR1/2/3 registers (addresses 0x4000 0020,0024,0028) bit description

Bit	Symbol	Description	Reset value
0	GC	General Call enable bit	0
7:1	address	I ² C-bus device address in Slave mode	0
31:8	-	(reserved)	0

20.7.9 I²C-bus Data Buffer register (DATA_BUFFER)

In Monitor mode, the I²C-bus module may lose the ability to stretch the clock (stall the bus) if the ENA_SCL bit is not set. In this case, the processor has a limited amount of time to read the contents of the data received on the bus. If the processor reads the DAT shift register as normal, it may have only one bit-time to respond to the interrupt before the received data is overwritten by new data.

To give the processor more time to respond, a new 8-bit, read-only DATA_BUFFER register is added. The contents of the 8 MSBs of the DAT shift register will be transferred to the DATA_BUFFER automatically after every 9 bits have been received. The 9 bits being 8 bits of data plus ACK or NACK. This action means that the processor has 9-bit transmission times to respond to the interrupt and read the data before it is overwritten.

The processor is still able to read the DAT register directly, as usual, and the behavior of DAT is not altered in any way.

Although the DATA_BUFFER register is primarily intended for use in Monitor mode with the ENA_SCL bit = logic 0, it is available for reading at any time under any mode of operation.

Table 227. DATA_BUFFER register (address 0x4000 002C) bit description

Bit	Symbol	Description	Reset value
7:0	data	contents of the 8 MSBs of the DAT shift register	0
31:8	-	(reserved)	0

20.7.10 I²C-bus Mask registers 0:3 (MASK0/1/2/3)

The 4 mask registers each contain seven active bits (7:1). Active bits set to logic 1, cause an automatic compare. It compares the corresponding bit of the received address with the ADDRn register associated with that mask register. In other words, bits in an ADDRn register which are masked are disregarded when determining an address match.

On reset, all mask register bits are cleared to logic 0.

The mask register has no effect on comparison to the General Call address ('000 0000').

Bits(31:8) and bit(0) of the mask registers are unused and should not be written to. These bits are always read back as logic 0s.

Table 228. MASK0/1/2/3 register (addresses 0x4000 0030,0034,0038,003C) bit description

Bit	Symbol	Description	Reset value
0	-	(reserved)	0
7:1	data	I ² C-bus device address in Slave mode	0
31:8	-	(reserved)	-

20.8 I²C-bus operating modes

In a given application, the I²C-bus block may operate as a master, a slave, or both. In the Slave mode, the I²C-bus hardware looks for any one of its four slave addresses and the General Call address. If one of these addresses is detected, an interrupt is requested. If the processor wishes to become the bus master, the hardware waits until the bus is free before the Master mode is entered. This wait state is to ensure that a possible slave operation is not interrupted. If bus arbitration is lost in Master mode, the I²C-bus block immediately switches to Slave mode. It can then detect its own slave address in the same serial transfer.

20.8.1 Master transmitter mode

In this mode, data is transmitted from master to slave. Before the Master transmitter mode can be entered, the CONSET register must be initialized as shown in [Table 229](#). I2EN must be set to logic 1 to enable the I²C-bus function. If the AA bit is logic 0, the I²C-bus interface does not acknowledge any address when another device is master of the bus. Therefore it cannot enter Slave mode. The STA, STO and SI bits must be logic 0. Writing logic 1 to the SIC bit in the CONCLR register clears the SI Bit. The STA bit should be cleared after writing the slave address.

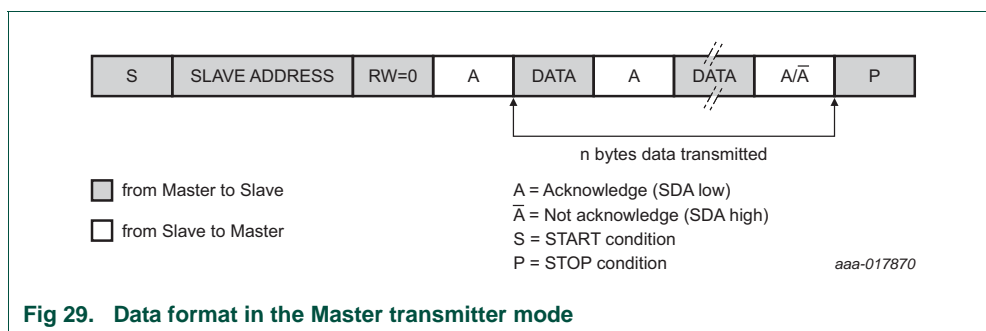
Table 229. CONSET used to configure Master mode

Bit	7	6	5	4	3	2	1	0
Symbol	-	I2EN	STA	STO	SI	AA	-	-
Value	-	1	0	0	0	0	-	-

The first byte transmitted contains the slave address of the receiving device (7 bits) and the data direction bit. In this mode, the data direction bit (R/W) should be logic 0 which means Write. The first byte transmitted contains the slave address and write bit. Data is transmitted 8 bits at a time. After each byte is transmitted, an ACK bit is received. START and STOP conditions are output to indicate the beginning and the end of a serial transfer.

The I²C-bus interface enters Master transmitter mode when software sets the STA bit. The I²C-bus logic sends the START condition as soon as the bus is free. After the START condition is transmitted, the SI bit is set, and the status code in the STAT register is 0x08. This status code is used to vector to a state service routine which loads the slave address and write bit to the DAT register. SI is then cleared by writing a logic 1 to the SIC bit in the CONCLR register.

When the slave address and R/W bit have been transmitted and an ACK bit has been received, the SI bit is set again. If the Slave mode was enabled, the possible status codes are now 0x18, 0x20, or 0x38 for the Master mode, or 0x68, 0x78, or 0xB0. Slave mode is enabled by setting AA to logic 1. The appropriate actions to be taken for each of these status codes are shown in [Table 233](#).



20.8.2 Master receiver mode

In the Master receiver mode, data is received from a Slave transmitter. The transfer is initiated in the same way as in the Master transmitter mode. When the START condition has been transmitted, the interrupt service routine must load the slave address and data direction bit to the I²C-bus Data register. It must then clear the SI bit. In this case, the data direction bit (R/W) should be logic 1 to indicate a read.

When the slave address and data direction bit have been transmitted, and acknowledged, the SI bit is set and the Status Register shows the status code. For Master mode, the possible status codes are 0x40, 0x48, or 0x38. For Slave mode, the possible status codes are 0x68, 0x78, or 0xB0. For details, refer to [Table 234](#).

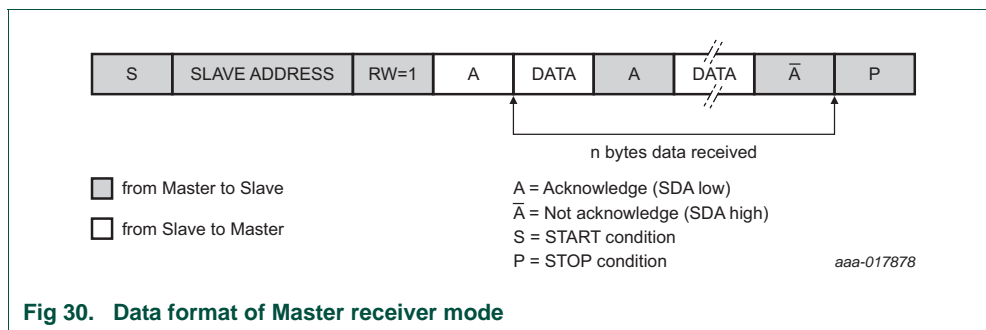


Fig 30. Data format of Master receiver mode

After a Repeated-START condition, I²C-bus may switch to the Master transmitter mode:

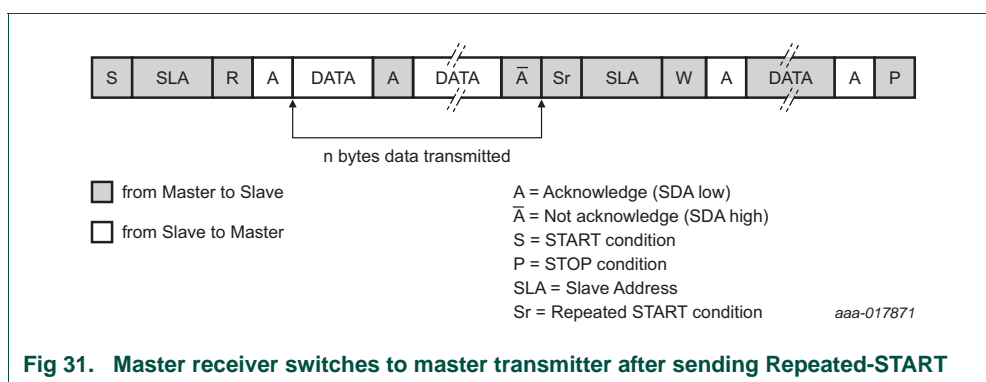


Fig 31. Master receiver switches to master transmitter after sending Repeated-START

20.8.3 Slave receiver mode

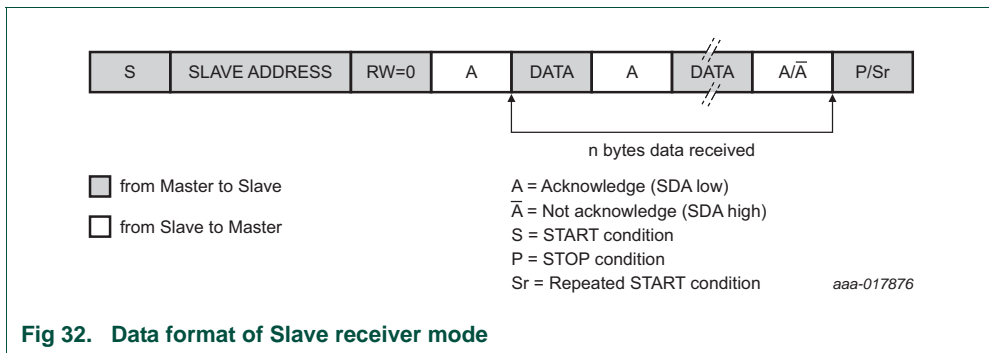
In the Slave receiver mode, data bytes are received from a master transmitter. To initialize the Slave receiver mode, write any of the Slave Address Registers (ADR0-3) and write the I²C-bus Control Set register (CONSET) as shown in [Table 230](#).

Table 230. CONSET used to configure Slave mode

Bit	7	6	5	4	3	2	1	0
Symbol	-	I2EN	STA	STO	SI	AA	-	-
Value	-	1	0	0	0	1	-	-

I2EN must be set to logic 1 to enable the I²C-bus function. AA bit must be set to logic 1 to acknowledge its own slave address or the General Call address. The STA, STO and SI bits are set to logic 1.

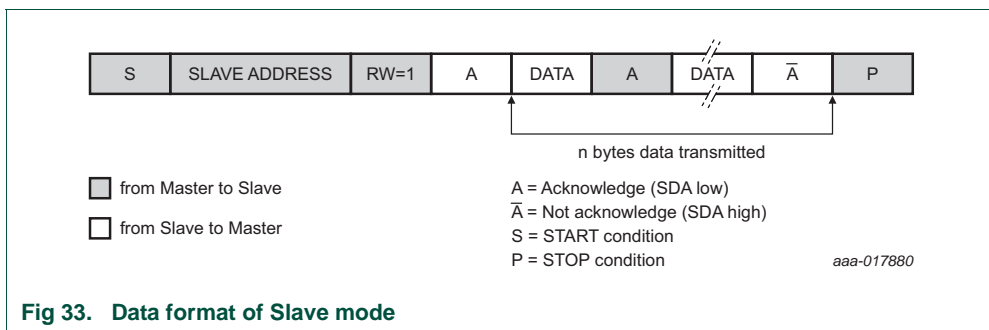
After ADR and CONSET are initialized, the I²C-bus interface waits until addressed by its own address or general address followed by the data direction bit. If the direction bit is logic 0 (Write), it enters Slave receiver mode. If the direction bit is logic 1 (Read), it enters Slave transmitter mode. After the address and direction bit have been received, the SI bit is set. A valid status code can now be read from the Status register (STAT). Refer to [Table 237](#) for the status codes and actions.



20.8.4 Slave transmitter mode

The first byte is received and handled as in the Slave receiver mode. However, in this mode, the direction bit is logic 1, indicating a read operation. Serial data is transmitted via SDA while the serial clock is input through SCL. START and STOP conditions are recognized as the beginning and end of a serial transfer. In a given application, I²C-bus may operate as a master and as a slave.

In the Slave mode, the I²C-bus hardware looks for its own slave address and the General Call address. If one of these addresses is detected, an interrupt is requested. When the microcontroller wishes to become the bus master, the hardware waits until the bus is free before the Master mode is entered. This wait state is to ensure that a possible slave action is not interrupted. If bus arbitration is lost in Master mode, the I²C-bus block immediately switches to Slave mode. It can then detect its own slave address in the same serial transfer.



20.9 I²C-bus implementation and operation.

Figure 34 shows how the on-chip I²C-bus interface is implemented, and the following text describes the individual blocks.

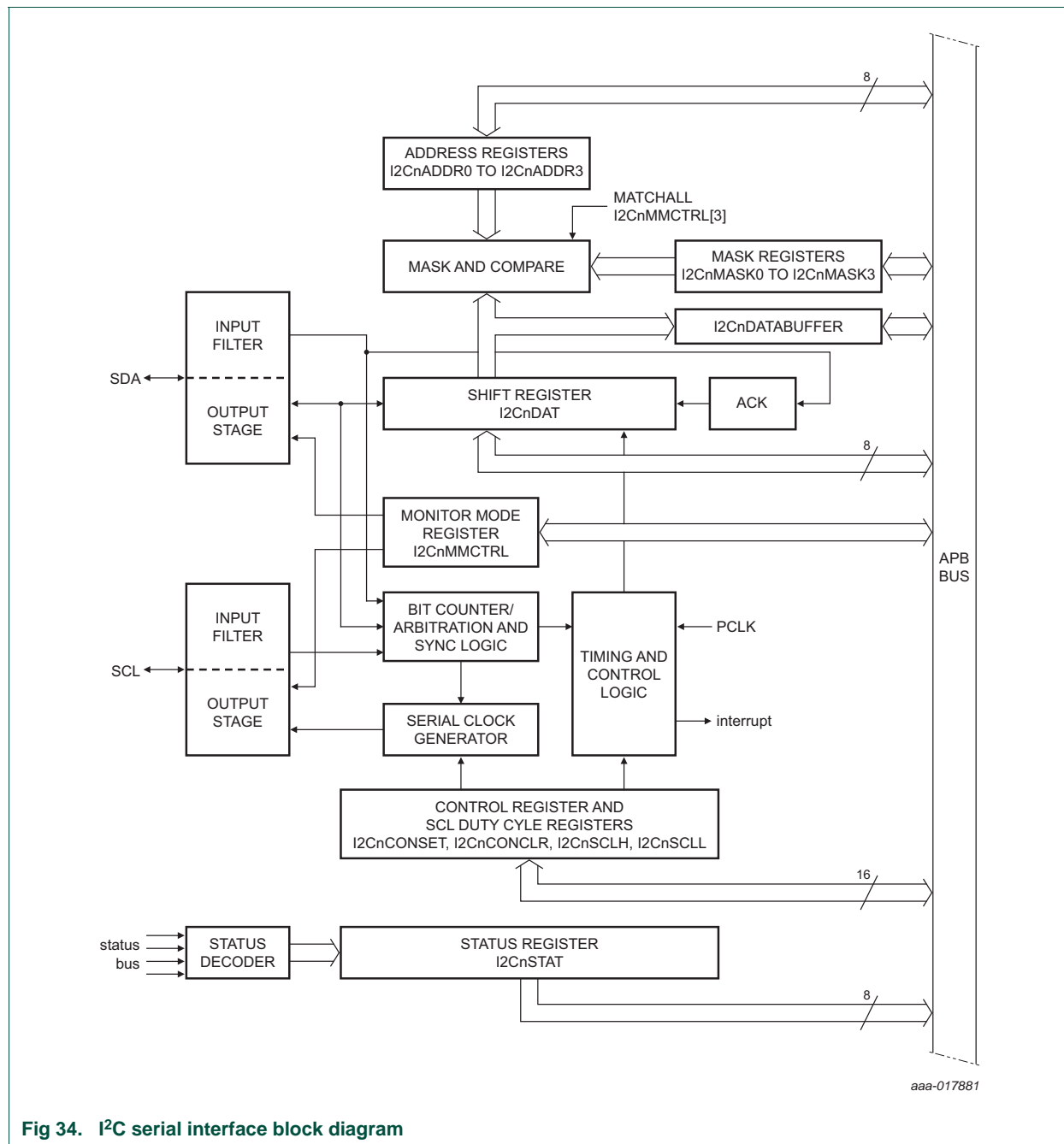


Fig 34. I²C serial interface block diagram

20.9.1 Input filters and output stages

Input signals are synchronized with the internal clock, and spike shorter than three clock cycles are filtered out.

The output for I²C-bus is a special pad designed to conform to the I²C-bus specification.

20.9.2 Address Registers, ADDR0 to ADDR3

These registers may be loaded with the 7-bit slave address (7 MSBs) to which the I²C-bus block responds when programmed as a slave transmitter or receiver. The LSB (GC) is used to enable General Call address (0x00) recognition. When multiple slave addresses are enabled, the actual address received may be read from the DAT register at the state where the own slave address has been received.

20.9.3 Address mask registers, MASK0 to MASK3

The four mask registers each contain seven active bits (7:1). Any bit in these registers which is set to logic 1, causes an automatic compare. It compares the corresponding bit of the received address with the ADDRn register associated with that mask register. In other words, bits in an ADDRn register which are masked are not considered when determining an address match.

When an address-match interrupt occurs, the processor has to read the data register (DAT) to determine what the received address was that caused the match.

20.9.4 Comparator

The comparator compares the received 7-bit slave address with its own slave address (7 most significant bits in ADR). It also compares the first received 8-bit byte with the General Call address (0x00). If an equality is found, the appropriate status bits are set and an interrupt is requested.

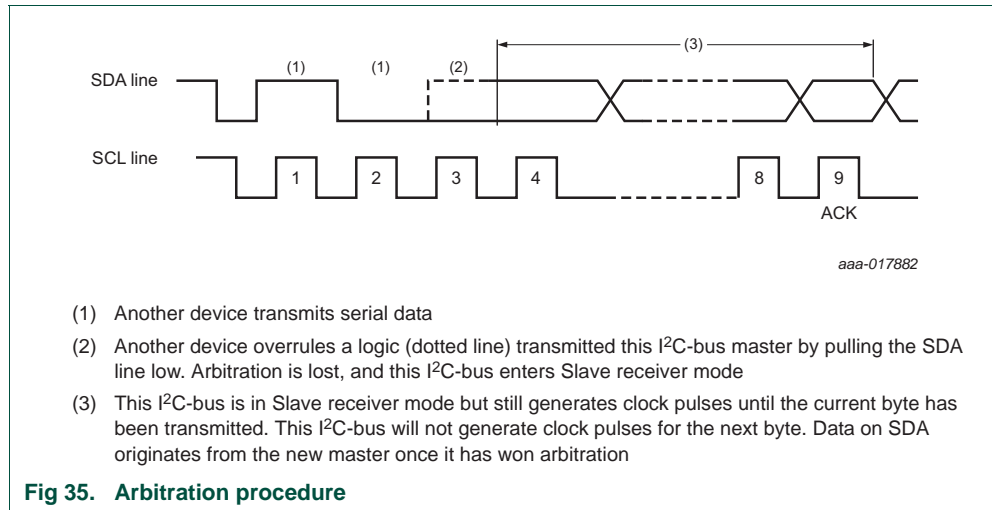
20.9.5 Shift register, DAT

This 8-bit register contains a byte of serial data to be transmitted or a byte which has been received. Data in DAT is always shifted from right to left. The first bit transmitted is the MSB (bit 7). After a byte has been received, the first bit of received data is at the MSB of DAT. While data is being shifted out, data on the bus is simultaneously being shifted in; DAT always contains the last byte present on the bus. Thus, in the event of lost arbitration, the transition from master transmitter to slave receiver is made with the correct data in DAT.

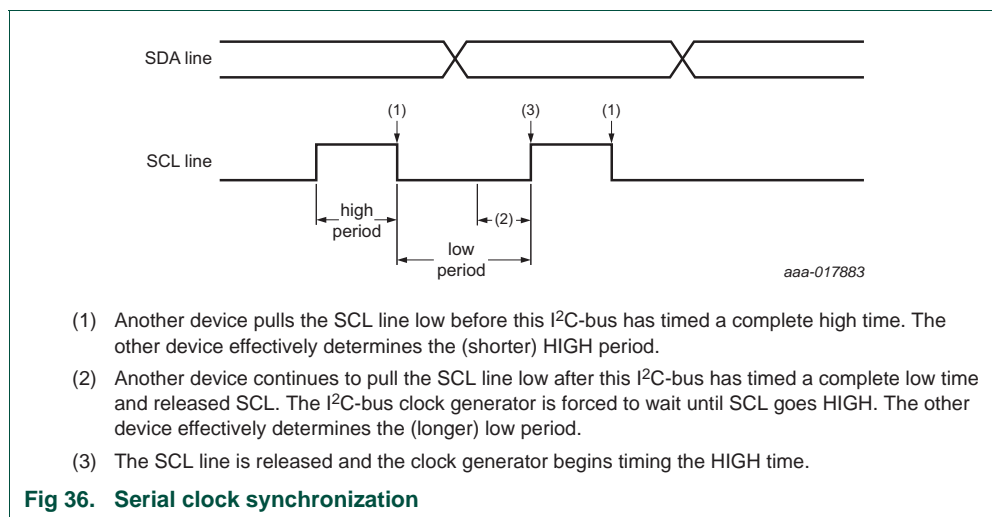
20.9.6 Arbitration and synchronization logic

In the Master transmitter mode, the arbitration logic checks that every transmitted logic 1 actually appears as a logic 1 on the I²C-bus. If another device on the bus overrules a logic 1 and pulls the SDA line low, arbitration is lost. The I²C-bus block immediately changes from master transmitter to slave receiver. The I²C-bus block continues to output clock pulses (on SCL) until transmission of the current serial byte is complete.

Arbitration may also be lost in the Master receiver mode. Loss of arbitration in this mode can only occur while the I²C-bus block is returning a 'not acknowledge' (logic 1) to the bus. Arbitration is lost when another device on the bus pulls this signal low. Since this case can occur only at the end of a serial byte, the I²C-bus block generates no further clock pulses. [Figure 35](#) shows the arbitration procedure.



The synchronization logic synchronizes the serial clock generator with the clock pulses on the SCL line from another device. If two or more master devices generate clock pulses, the following occurs: The device that generates the shortest 'marks' determines the 'mark' duration. The device that generates the longest 'spaces' determines the 'space' duration. [Figure 36](#) shows the synchronization procedure.



A slave may stretch the space duration to slow down the bus master. The space duration may also be stretched for handshaking purposes. This stretching can be done after each bit or after a complete byte transfer. the I²C-bus block will stretch the SCL space duration after a byte has been transmitted or received and the acknowledge bit has been transferred. The serial interrupt flag (SI) is set, and the stretching continues until the serial interrupt flag is cleared.

20.9.7 Serial clock generator

This programmable clock pulse generator provides the SCL clock pulses when the I²C-bus block is in the master transmitter or Master receiver mode. It is switched off when the I²C-bus block is in Slave mode. The I²C-bus output clock frequency and duty cycle is

programmable via the I²C-bus Clock Control Registers. See the description of the I2CSCLL and I2CSCLH registers for details. The output clock pulses have a duty cycle as programmed unless the bus is synchronizing with other SCL clock sources as described above.

20.9.8 Timing and control

The timing and control logic generates the timing and control signals for serial byte handling. This logic block performs the following tasks:

- Provides the shift pulses for DAT
- Enables the comparator
- Generates and detects START and STOP conditions
- Receives and transmits acknowledge bits
- Controls the Master and Slave modes
- Contains interrupt request logic
- Monitors the I²C-bus status

20.9.9 Control register, CONSET and CONCLR

The I²C-bus control register contains bits used to control the following I²C block functions: start and restart of a serial transfer, termination of a serial transfer, bit rate, address recognition, and acknowledgment.

The contents of the I²C-bus control register may be read as CONSET. Writing to CONSET sets bits in the I²C-bus control register that correspond to ones in the value written. Conversely, writing to CONCLR clears bits in the I²C-bus control register that correspond to ones in the value written.

20.9.10 Status decoder and status register

The status decoder takes all of the internal status bits and compresses them into a 5-bit code. This code is unique for each I²C-bus status. The 5-bit code may be used to generate vector addresses for fast processing of the various service routines. Each service routine processes a particular bus status. There are 26 possible bus states if all four modes of the I²C-bus block are used. The 5-bit status code is latched into the five most significant bits of the status register when the serial interrupt flag is set (by hardware). It remains stable until software clears the interrupt flag. The three least significant bits of the status register are always logic 0. If the status code is used as a vector to service routines, then eight address locations displace the routines. 8 bytes of code is sufficient for most of the service routines.

20.10 Details of I²C-bus operating modes

As mentioned above, there are four operating modes. These modes are:

- Master transmitter
- Master receiver
- Slave receiver
- Slave transmitter

Data transfers in each mode of operation are shown in [Figure 37](#), [Figure 38](#), [Figure 39](#), [Figure 40](#) and [Figure 41](#).

[Table 231](#) lists abbreviations used in these figures when describing the I²C-bus operating modes.

Table 231. Abbreviations used to describe an I²C-bus operation

Abbreviation	Explanation
S	START Condition
SLA	7-bit slave address
R	read bit (HIGH level at SDA)
W	write bit (low level at SDA)
A	acknowledge bit (Low level at SDA)
\bar{A}	not acknowledge bit (HIGH level at SDA)
Data	8-bit data byte
P	STOP condition

In [Figure 37](#) to [Figure 41](#), circles are used to indicate when the serial interrupt flag is set. The numbers in the circles show the status code held in the STAT register. At these points, a service routine must be executed to continue or complete the serial transfer. These service routines are not critical since the serial transfer is suspended until software clears the serial interrupt flag.

When a serial interrupt routine is entered, the status code in STAT is used to branch to the appropriate service routine. For each status code, the required software action and details of the following serial transfer are given in tables from [Table 233](#) to [Table 239](#).

20.10.1 Master transmitter mode

In the Master transmitter mode, a number of data bytes are transmitted to a slave receiver (see [Figure 37](#)). Before the Master transmitter mode can be entered, The CONSET register must be initialized as follows:

Table 232. CONSET used to initialize Master transmitter mode

BIT	7	6	5	4	3	2	1	0
Symbol	-	I2EN	STA	STO	SI	AA	-	-
Value	-	1	0	0	0	X	-	-

Also, the I²C-bus rate must be configured in the SCLL and SCLH registers. I2EN must be set to logic 1 to enable the I²C-bus block. If the AA bit is reset, the I²C-bus block does not acknowledge its own slave address. In the event of another device becoming master of the bus, it does not acknowledge the General Call address. In other words, if AA is reset, the I²C-bus interface cannot enter Slave mode. STA, STO, and SI must be reset.

The Master transmitter mode may now be entered by setting the STA bit. The I²C logic now tests the I²C-bus and generate a START condition as soon as the bus becomes free. When a START condition is transmitted, the serial interrupt flag (SI) is set, and the status code in the status register (STAT) is 0x08. This status code is used by the interrupt service routine to enter the appropriate state service routine. This routine loads DAT with the slave address and the data direction bit (SLA+W). The SI bit in CON must then be reset before the serial transfer can continue.

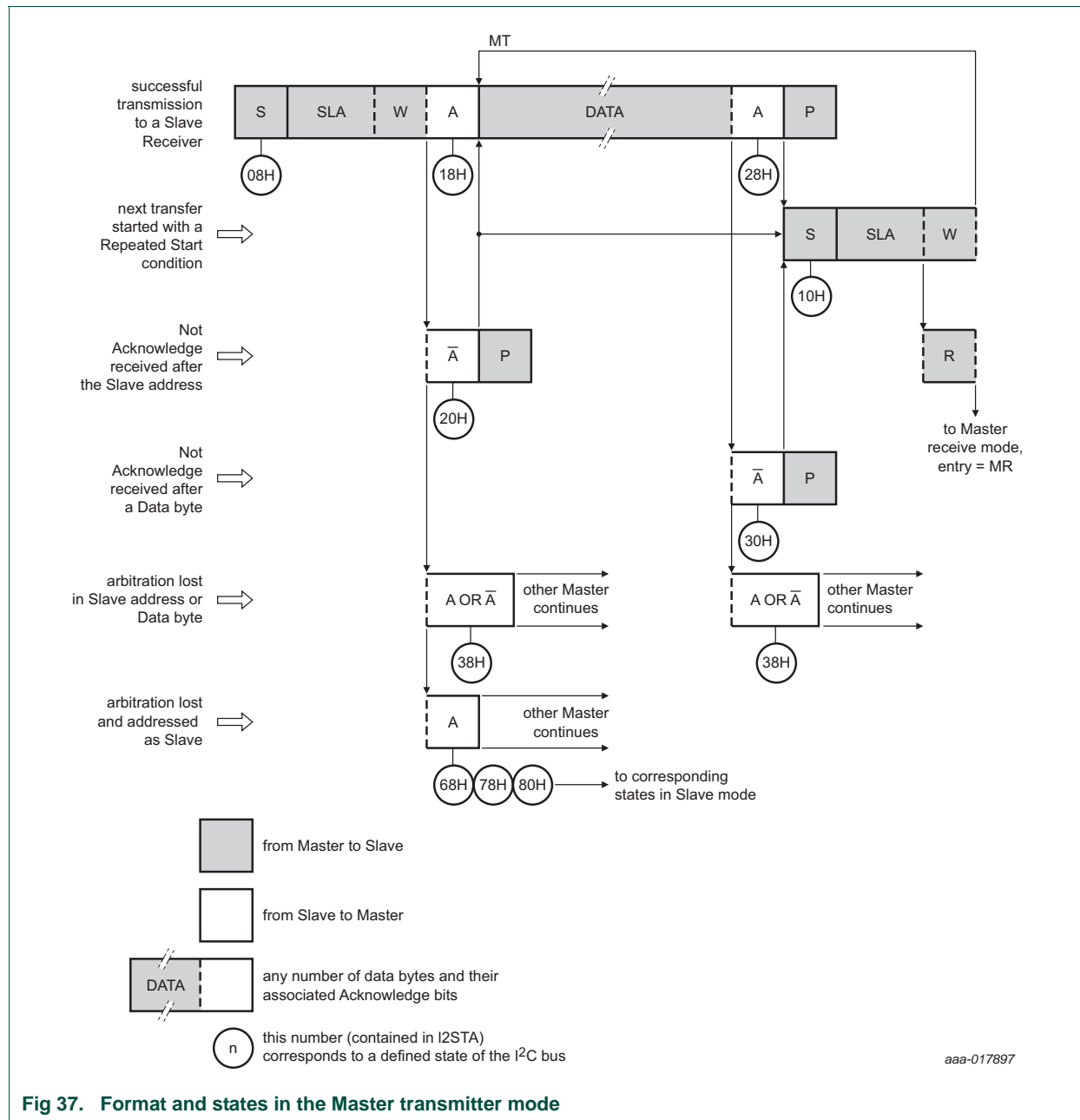
When the slave address and the direction bit have been transmitted and an acknowledgment bit has been received, the serial interrupt flag (SI) is set again. A number of status codes in STAT are possible. There are 0x18, 0x20, or 0x38 for the Master mode and also 0x68, 0x78, or 0xB0 if the Slave mode was enabled (AA = logic 1). The appropriate action to be taken for each of these status codes is detailed in [Table 233](#). After a Repeated-START condition (state 0x10). The I²C-bus block may switch to the Master receiver mode by loading DAT with SLA+R).

Table 233. Master transmitter mode

Status code I2CSTAT	Status of the I ² C-bus and hardware	Application software response					Next action taken by I ² C hardware
		To/From I2DAT	To I2CON				
			STA	STO	SI	AA	
0x08	a START condition has been transmitted	load SLA+W; Clear STA	X	0	0	X	SLA+W is transmitted; ACK bit is received
0x10	a Repeated-START condition has been transmitted	load SLA+W	X	0	0	X	as above
		load SLA+R; Clear STA	X	0	0	X	SLA+W is transmitted; the I ² C-bus block is switched to Master receiver mode
0x18	SLA+W has been transmitted; ACK has been received	load data byte	0	0	0	X	data byte is transmitted; ACK bit is received
		no I2DAT action	1	0	0	X	Repeated-START is transmitted
		no I2DAT action	0	1	0	X	STOP condition is transmitted; STO flag is reset
		no I2DAT action	1	1	0	X	STOP condition followed by a START condition is transmitted; STO flag is reset
0x20	SLA+W has been transmitted; NACK has been received	load data byte	0	0	0	X	data byte is transmitted; ACK bit is received
		no I2DAT action	1	0	0	X	Repeated-START is transmitted
		no I2DAT action	0	1	0	X	STOP condition followed by a START condition is transmitted; STO flag is reset
		no I2DAT action	1	1	0	X	STOP condition followed by a START condition is transmitted; STO flag is reset
0x28	data byte in I2DAT has been transmitted; ACK has been received.	load data byte	0	0	0	X	Data byte is transmitted; ACK bit is received
		no I2DAT action	1	0	0	X	Repeated-START is transmitted
		no I2DAT action	0	1	0	X	STOP condition followed by a START condition is transmitted; STO flag is reset
		no I2DAT action	1	1	0	X	STOP condition followed by a START condition is transmitted; STO flag is reset

Table 233. Master transmitter mode *_continued*

Status code I2CSTAT	Status of the I ² C-bus and hardware	Application software response					Next action taken by I ² C hardware
		To/From I2DAT	To I2CON				
			STA	STO	SI	AA	
0x30	data byte in I2DAT has been transmitted; NOT ACK has been received.	load data byte	0	0	0	X	data byte is transmitted; ACK bit is received
		no I2DAT action	1	0	0	X	repeated START is transmitted
		no I2DAT action	0	1	0	X	STOP condition followed by a START condition is transmitted; STO flag is reset
		no I2DAT action	1	1	0	X	STOP condition followed by a START condition is transmitted; STO flag is reset
0x38	arbitration lost in SLA+R/W or Data bytes	no I2DAT action	0	0	0	X	I ² C-bus is released; not addressed Slave mode is entered
		no I2DAT action	1	0	0	X	a START condition is transmitted when the bus becomes free



20.10.2 Master receiver mode

In the Master receiver mode, a number of data bytes are received from a slave transmitter (see [Figure 38](#)). The transfer is initialized as in the Master transmitter mode. When the START condition has been transmitted, the interrupt service routine must load DAT with the 7-bit slave address and the data direction bit (SLA+R). The SI bit in CON must then be cleared before the serial transfer can continue.

When the slave address and data direction bit have been transmitted, and an acknowledgment bit has been received, the serial interrupt flag (SI) is set again. A number of status codes in STAT are then possible. If the Slave mode was enabled (AA = 1), then these codes are 0x40, 0x48, or 0x38 for the Master mode and also 0x68, 0x78, or 0xB0. The appropriate action to be taken for each of these status codes is detailed in [Table 234](#). After a Repeated-START condition (state 0x10), the I²C-bus block may switch to the Master transmitter mode by loading DAT with SLA+W.

Table 234. Master receive mode

Status code I2CSTAT	Status of the I ² C-bus and hardware	Application software response					Next action taken by I ² C hardware
		To/From I2DAT	To I2CON				
			STA	STO	SI	AA	
0x08	A START condition has been transmitted	load SLA+W	X	0	0	X	SLA+R is transmitted; ACK bit is received
0x10	A Repeated-START condition has been transmitted	load SLA+R	X	0	0	X	as above
		load SLA+W	X	0	0	X	SLA+W is transmitted; the I ² C block is switched to Master receiver mode
0x38	Arbitration lost in NACK bit	no I2DAT action	0	0	0	X	I ² C-bus is released; not addressed Slave mode is entered
		no I2DAT action	1	0	0	X	a START condition is transmitted when the bus becomes free
0x40	SLA+R has been transmitted; ACK has been received	load data byte	0	0	0	0	data byte is received; NACK bit is returned
		no I2DAT action	0	0	0	1	data byte is received; ACK bit is returned
0x48	SLA+R has been transmitted; NACK has been received	no I2DAT action	1	0	0	X	repeated START is transmitted
		no I2DAT action	0	1	0	X	STOP condition is transmitted; STO flag is reset
		no I2DAT action	1	1	0	X	STOP condition followed by a START condition is transmitted; STO flag is reset
0x50	Data byte has been received; ACK has been returned.	read data byte	0	0	0	0	data byte is received; NACK bit is returned
		read data byte	0	0	0	1	data byte is received; ACK bit is returned
0x58	Data byte has been received; NACK has been returned.	read data byte	1	0	0	X	repeated START condition is transmitted
		read data byte	0	1	0	X	a STOP condition is transmitted; STO flag is reset
		read data byte	1	1	0	X	STOP condition followed by a START condition is transmitted; STO flag is reset

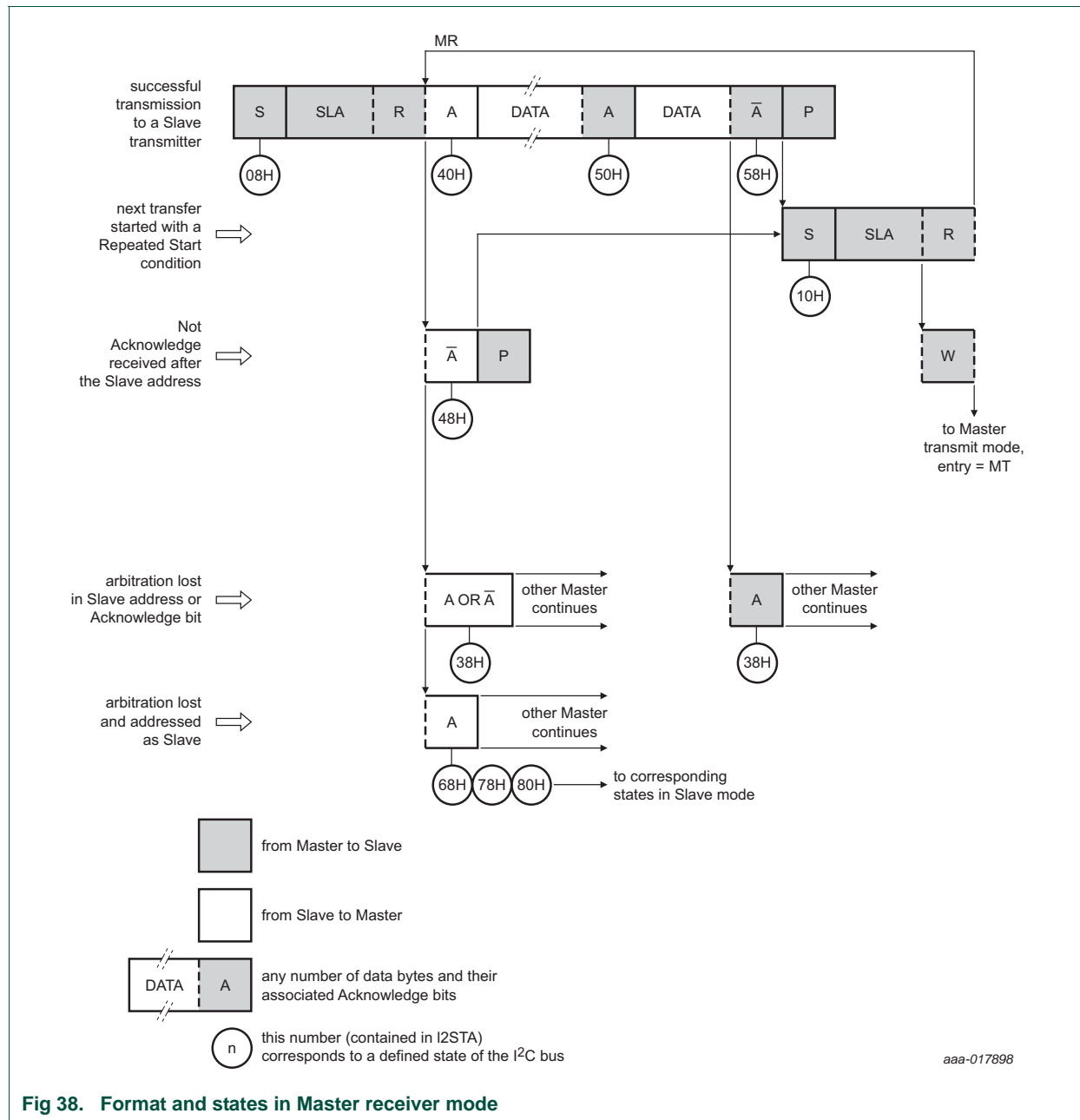


Fig 38. Format and states in Master receiver mode

20.10.3 Slave receiver mode

In the Slave receiver mode, a number of data bytes are received from a master transmitter (see Figure 39). To initiate the Slave receiver mode, ADR and CON must be loaded as follows:

Table 235. ADR usage in Slave receiver mode

BIT	7	6	5	4	3	2	1	0
Symbol	own slave 7-bit address							GC

The upper 7 bits are the address to which the I²C-bus block responds when addressed by a master. If the LSB (GC) is set, the I²C-bus block responds to the General Call address (0x00); otherwise it ignores the General Call address.

Table 236. CONSET used to initialize Slave transmitter mode

BIT	7	6	5	4	3	2	1	0
Symbol	-	I2EN	STA	STO	SI	AA	-	-
Value	-	1	0	0	0	1	-	-

The I²C-bus rate settings do not affect the I²C-bus block in the Slave mode. I2EN must be set to logic 1 to enable the I²C block. The AA bit must be set to enable the I²C-bus block to acknowledge its own slave address or the General Call address. STA, STO, and SI must be reset.

When ADR and CON have been initialized, the I²C block waits until addressed by its own slave address followed by the data direction bit. This bit must be logic 0 (Write) for the I²C block to operate in the Slave receiver mode. After its own slave address and the W bit have been received, the serial interrupt flag (SI) is set. A valid status code can be read from STAT. This status code is used to vector to a state service routine. The appropriate action to be taken for each of these status codes is detailed in [Table 237](#). If arbitration is lost while the I²C-bus block is in the Master mode, the Slave receiver mode may also be entered. (see status 0x68 and 0x78).

Is the AA bit is reset during a transfer, the I²C block will return a not acknowledge (logic 1) to SDA after the next received data byte. While AA is reset, the I²C-bus block does not respond to its own slave address or a General Call address. However, the I²C-bus is still monitored and address recognition may be resumed at any time by setting AA. Therefore, the AA bit may be used to isolate the I²C-bus block from the I²C-bus temporarily.

Table 237. Slave receiver mode

Status code I2CSTAT	Status of the I ² C-bus and hardware	Application software response					Next action taken by I ² C hardware
		To/From I2DAT	To I2CON				
			STA	STO	SI	AA	
0x60	own SLA+W has been received; ACK has been returned.	no I2DAT action	X	0	0	0	data byte is received; NACK is returned
		no I2DAT action	X	0	0	1	data byte is received; ACK is returned
0x68	arbitration lost in SLA+R/W as master; Own SLA+W has been received, ACK returned.	no I2DAT action	X	0	0	0	data byte is received; NACK is returned
		no I2DAT action	X	0	0	1	data byte is received; ACK is returned
0x70	General Call address (0x00) has been received; ACK has been returned	no I2DAT action	X	0	0	0	data byte is received; NACK is returned
		no I2DAT action	X	0	0	1	data byte is received; ACK is returned
0x78	arbitration lost in SLA+R/W as master; General Call address has been received,	no I2DAT action	X	0	0	0	data byte is received; NACK is returned
		no I2DAT action	X	0	0	1	data byte is received; ACK is returned

Table 237. Slave receiver mode *_continued*

Status code I2CSTAT	Status of the I ² C-bus and hardware	Application software response					Next action taken by I ² C hardware
		To/From I2DAT	To I2CON				
			STA	STO	SI	AA	
0x80	previously addressed with own Slave address; DATA has been received; ACK has been returned.	read data byte	X	0	0	0	data byte is received; NACK is returned
		read data byte	X	0	0	1	data byte is received; ACK is returned
0x88	previously addressed with own SLA; DATA byte has been received; NACK has been returned.	read data byte	0	0	0	0	switched to not addressed Slave mode; no recognition of own SLA or General Call address
		read data byte	0	0	0	1	switched to not addressed Slave mode; Own SLA is recognized; If I2ADR[0] = logic 1, General Call address is recognized
		read data byte	1	0	0	0	switched to not addressed Slave mode; No recognition of own SLA or General Call address. A START condition is transmitted when the bus becomes free
		read data byte	1	0	0	1	switched to not addressed Slave mode; Own SLA is recognized; If I2ADR[0] = logic 1, general call address is recognized
0x90	previously addressed with General Call; DATA byte has been received; ACK has been returned.	read data byte	X	0	0	0	data byte is received; NACK is returned
		read data byte	X	0	0	1	data byte is received; ACK is returned
0x98	previously addressed with General Call; DATA byte has been received; NACK has been returned.	read data byte	0	0	0	0	switched to not addressed Slave mode; no recognition of own SLA or General Call address
		read data byte	0	0	0	1	switched to not addressed Slave mode; Own SLA is recognized; If I2ADR[0] = logic 1, General Call address is recognized
		read data byte	1	0	0	0	switched to not addressed Slave mode; no recognition of own SLA or General Call address. A START condition is transmitted when the bus becomes free
		read data byte	1	0	0	1	switched to not addressed Slave mode; Own SLA is recognized; If I2ADR[0] = logic 1, General Call address is recognized. A START condition is transmitted when the bus becomes free

Table 237. Slave receiver mode *_continued*

Status code I2CSTAT	Status of the I ² C-bus and hardware	Application software response					Next action taken by I ² C hardware
		To/From I2DAT	To I2CON				
			STA	STO	SI	AA	
0xA0	a STOP condition or Repeated-START condition has been received while still addressed as slave receiver or slave transmitter.	no STDAT action	0	0	0	0	switched to not addressed Slave mode; no recognition of own SLA or General Call address
		no STDAT action	0	0	0	1	switched to not addressed Slave mode; Own SLA is recognized; If I2ADR[0] = logic 1, General Call address is recognized
		no STDAT action	1	0	0	0	switched to not addressed Slave mode; no recognition of own SLA or General Call address. A START condition is transmitted when the bus becomes free
		no STDAT action	1	0	0	1	switched to not addressed Slave mode; Own SLA is recognized; If I2ADR[0] = logic 1, General Call address is recognized. A START condition is transmitted when the bus becomes free

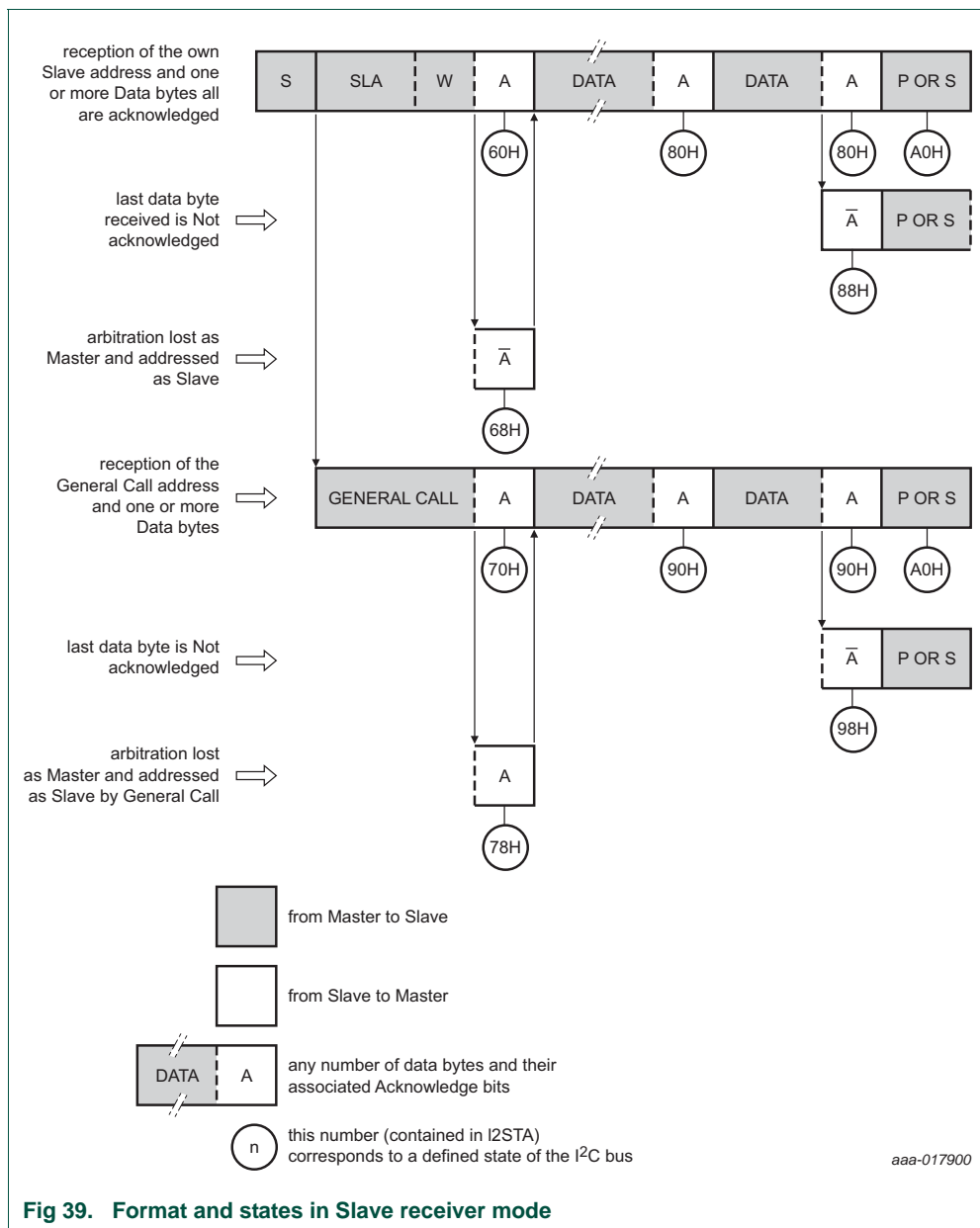


Fig 39. Format and states in Slave receiver mode

20.10.4 Slave transmitter mode

In the Slave transmitter mode, a number of data bytes are transmitted to a master receiver (see Figure 40). Data transfer is initialized as in the Slave receiver mode. When ADR and CON have been initialized, the I²C-bus block waits until it is addressed by its own slave address followed by the data direction bit. The data direction bit must be logic 1 (Read) for the I²C-bus block to operate in the Slave transmitter mode. After its own slave address and the R bit have been received, the serial interrupt flag (SI) is set and a valid status code can be read from STAT. This status code is used to vector to a state service routine,

and the appropriate action to be taken for each of these status codes is detailed in [Table 238](#). If arbitration is lost while the I²C-bus block is in the Master mode (see state 0xB0), the Slave transmitter mode may also be entered.

If the AA bit is reset during a transfer, the I²C-bus block transmits the last byte of the transfer and enters state 0xC0 or 0xC8. If the master receiver continues the transfer, the I²C block is switched to the not-addressed Slave mode and ignores the master receiver.

Thus the master receiver receives all logic 1s as serial data. While AA is reset, the I²C-bus block does not respond to its own slave address or a General Call address. However, the I²C-bus is still monitored, and address recognition may be resumed at any time by setting AA. This action means that the AA bit may be used to isolate the I²C-bus block from the I²C-bus temporarily.

Table 238. Slave transmitter mode

Status code I2CSTAT	Status of the I ² C-bus and hardware	Application software response					Next action taken by I ² C-bus hardware
		To/From I2DAT	To I2CON				
			STA	STO	SI	AA	
0xA8	own SLA+R has been received; ACK has been returned.	load data byte	X	0	0	0	data byte is transmitted; NACK is received
		load data byte	X	0	0	1	data byte is transmitted; ACK is received
0xB0	arbitration lost in SLA+R/W as master; Own SLA+W has been received, ACK returned.	load data byte	X	0	0	0	data byte is transmitted; NACK is received
		load data byte	X	0	0	1	data byte is transmitted; ACK is received
0xB8	data byte in I2DAT has been transmitted; ACK has been received.	load data byte	X	0	0	0	data byte is transmitted; NACK is received
		load data byte	X	0	0	1	data byte is transmitted; ACK is received
0xC0	data byte in I2DAT has been transmitted; NACK has been received.	no I2DAT action	0	0	0	0	switched to not addressed Slave mode; no recognition of own SLA or General Call address
		no I2DAT action	0	0	0	1	switched to not addressed Slave mode; Own SLA is recognized; If I2ADR[0] = logic 1, General Call address is recognized
		no I2DAT action	1	0	0	0	switched to not addressed Slave mode; no recognition of own SLA or General Call address. A START condition is transmitted when the bus becomes free
		no I2DAT action	1	0	0	1	switched to not addressed Slave mode; Own SLA is recognized; If I2ADR[0] = logic 1, General Call address is recognized. A START condition is transmitted when the bus becomes free

Table 238. Slave transmitter mode *_continued*

Status code I2CSTAT	Status of the I ² C-bus and hardware	Application software response					Next action taken by I ² C-bus hardware
		To/From I2DAT	To I2CON				
			STA	STO	SI	AA	
0xC8	last data byte in I2DAT has been transmitted (AA = 0); ACK has been received.	no I2DAT action	0	0	0	0	switched to not addressed Slave mode; no recognition of own SLA or General Call address
		no I2DAT action	0	0	0	1	switched to not addressed Slave mode; Own SLA is recognized; If I2ADR[0] = logic 1, General Call address is recognized
		no I2DAT action	1	0	0	0	switched to not addressed Slave mode; no recognition of own SLA or General Call address. A START condition is transmitted when the bus becomes free
		no I2DAT action	1	0	0	1	switched to not addressed Slave mode; Own SLA is recognized; If I2ADR[0] = logic 1, General Call address is recognized. A START condition is transmitted when the bus becomes free

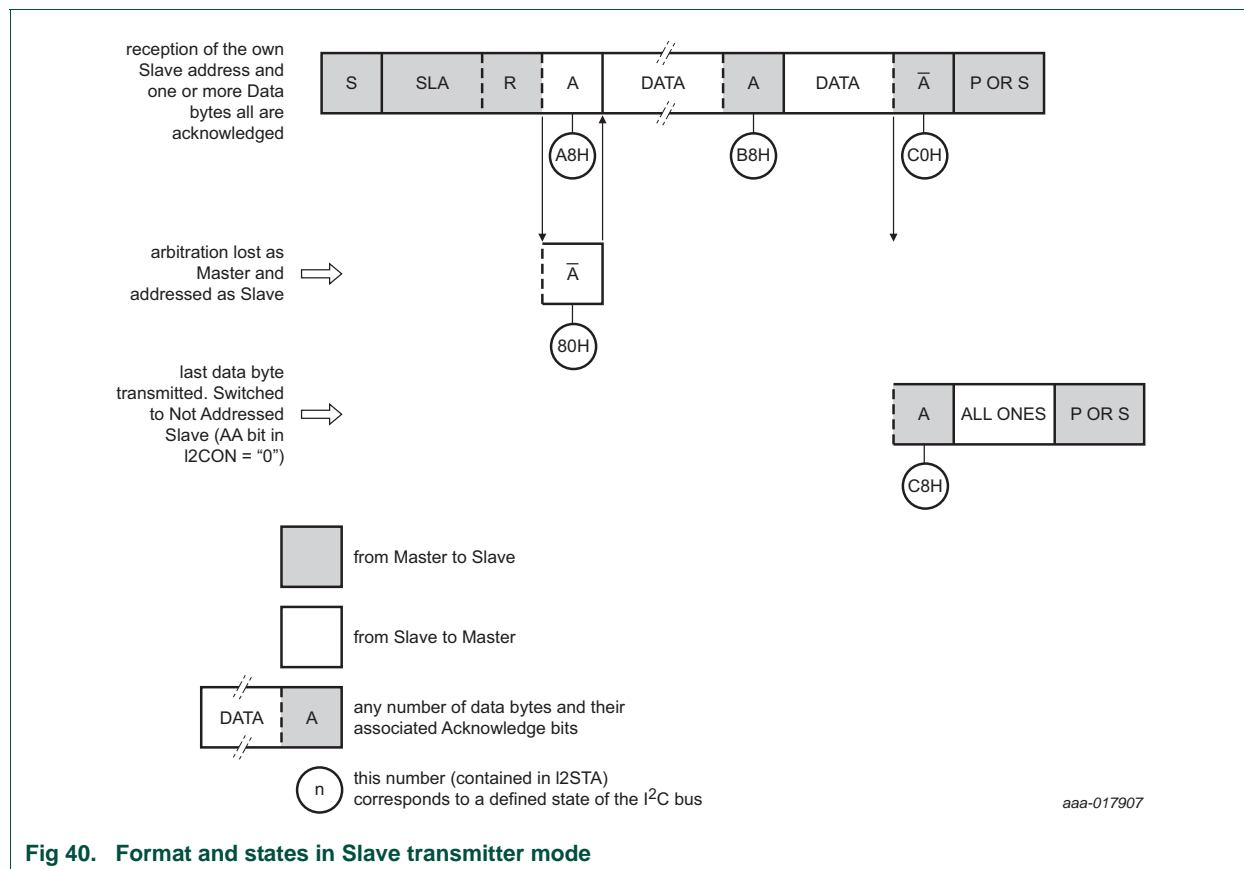


Fig 40. Format and states in Slave transmitter mode

20.10.5 Miscellaneous states

There are two STAT codes that do not correspond to a defined I²C-bus hardware state (see [Table 239](#)). These codes are discussed below.

Table 239. Miscellaneous States

Status Code (STAT)	Status of the I ² C-bus and hardware	Application software response					Next action taken by I ² C-bus hardware
		To/From DAT	To CON				
			STA	STO	SI	AA	
0xF8	no relevant state information available; SI = 0.	no DAT action	no CON action				wait or proceed current transfer
0x00	bus error during Master or selected Slave modes, due to an illegal START or STOP condition. State 0x00 can also occur when interference causes the I ² C-bus block to enter an undefined state.	no DAT action	0	1	0	X	only the internal hardware is affected in the Master or addressed Slave modes. In all cases, the bus is released and the I ² C-bus block is switched to the not addressed Slave mode. STO is reset

20.10.5.1 STAT = 0xF8

This status code indicates that no relevant information is available because the serial interrupt flag, SI, is not yet set. This code occurs between other states and when the I²C-bus block is not involved in a serial transfer.

20.10.5.2 STAT = 0x00

This status code indicates that a bus error has occurred during an I²C-bus serial transfer. A bus error is caused when a START or STOP condition occurs at an illegal position in the format frame. Examples of such illegal positions are during the serial transfer of an address byte, a data byte, or an acknowledge bit. A bus error may also be caused when external interference disturbs the internal I²C-bus block signals. When a bus error occurs, SI is set. To recover from a bus error, the STO flag must be set and SI must be cleared. This procedure causes the I²C-bus block to enter the 'not addressed' Slave mode (a defined state) and to clear the STO flag. No other bits in CON are affected. The SDA and SCL lines are released (a STOP condition is not transmitted).

20.10.6 Some special cases

The I²C-bus hardware has facilities to handle the following special cases that may occur during a serial transfer:

- Simultaneous Repeated-START conditions from two masters
- Data transfer after loss of arbitration
- Forced accesses to the I²C-bus
- I²C-bus obstructed by a low level on SCL or SDA
- Bus error

20.10.6.1 Simultaneous Repeated-START conditions from two masters

A Repeated-START condition may be generated in the Master transmitter or Master receiver modes. A special case occurs if another master simultaneously generates a Repeated-START condition (see [Figure 41](#)). Until this condition occurs, arbitration is not lost by either master since they were both transmitting the same data.

If the I²C-bus hardware detects a Repeated-START condition on the I²C-bus before generating a Repeated-START condition itself, it releases the bus and no interrupt request is generated. If another master frees the bus by generating a STOP condition, the I²C-bus block transmits a normal START condition (state 0x08). A retry of the total serial data transfer can then commence.

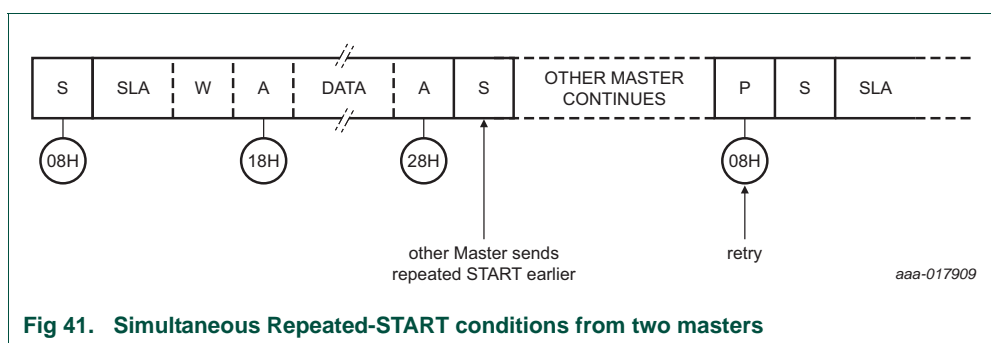


Fig 41. Simultaneous Repeated-START conditions from two masters

20.10.6.2 Data transfer after loss of arbitration

Arbitration may be lost in the Master transmitter and Master receiver modes (see [Figure 35](#)). The following states in STAT indicate loss of arbitration: 0x38, 0x68, 0x78, and 0xB0 (see [Figure 37](#) and [Figure 38](#)).

If the routines which service these states set the STA flag in CON, then, if the bus is free again, a START condition (state 0x08) is transmitted.

20.10.6.3 Forced access to the I²C-bus

In some applications, it may be possible for an uncontrolled source to cause a bus hang-up. In such situations, interference, temporary interruption of the bus or a temporary short-circuit between SDA and SCL may cause this problem.

If an uncontrolled source generates a superfluous START or masks a STOP condition, then the I²C-bus stays busy indefinitely. If the STA flag is set and bus access is not obtained within a reasonable amount of time, then a forced access to the I²C-bus is possible. This forced access is achieved by setting the STO flag while the STA flag is still set. No STOP condition is transmitted. The I²C-bus hardware behaves as if a STOP condition was received and is able to transmit a START condition. Hardware clears the STO flag (see [Figure 42](#)).

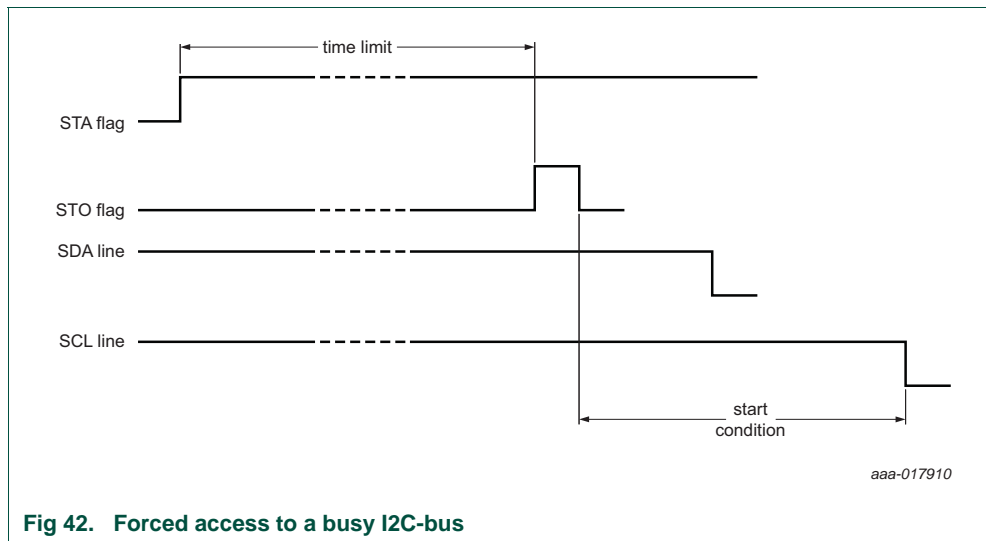


Fig 42. Forced access to a busy I2C-bus

20.10.6.4 I²C-bus obstructed by a low level on SCL or SDA

If either the SDA or SCL line is held low by any device on the bus, then an I²C-bus hang-up can occur. If the SCL line is obstructed (pulled low) by a device on the bus, no further serial transfer is possible. The device that is pulling the SCL bus line low must resolve this problem.

Typically, another device on the bus, that has become out of synchronization with the current bus master, may obstruct the SDA line. This loss of synchronization may occur by either missing a clock, or by sensing a noise pulse as a clock. In this case, the problem can be solved by transmitting additional clock pulses on the SCL line (see [Figure 43](#)). The I²C-bus interface does not include a dedicated timeout timer to detect an obstructed bus. However, such a timer can be implemented using another timer in the system. When detected, software can force clocks (up to 9 may be required) on SCL until the offending device releases SDA. At that point, the slave may still be out of synchronization, so a START should be generated to insure that all I²C-bus peripherals are synchronized.

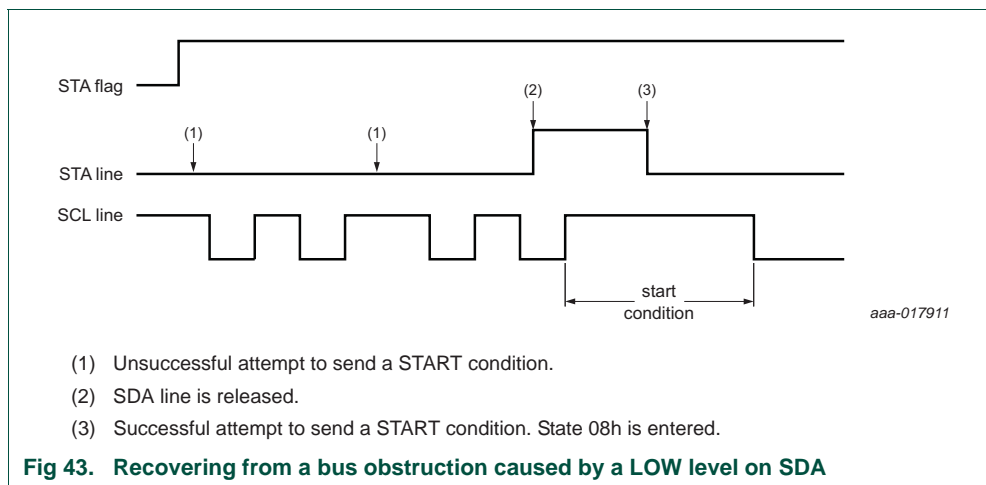


Fig 43. Recovering from a bus obstruction caused by a LOW level on SDA

20.10.6.5 Bus error

A bus error occurs when a START or STOP condition is detected at an illegal position in the format frame. Examples of illegal positions are during the serial transfer of an address byte, a data bit, or an acknowledge bit.

The I²C-bus hardware only reacts to a bus error when it is involved in a serial transfer either as a master or an addressed slave. When a bus error is detected, the I²C-bus block immediately switches to the not addressed Slave mode. It then releases the SDA and SCL lines, sets the interrupt flag, and loads the status register with 0x00. This status code may be used to vector to a state service routine which either attempts the aborted serial transfer again or simply recovers from the error condition as shown in [Table 239](#).

20.10.7 I²C-bus state service routines

This section provides examples of operations that the various I²C-bus state service routines must. These operations include:

- Initialization of the I²C-bus block after a reset
- I²C-bus Interrupt Service
- The 26 state service routines support all four I²C-bus operating modes

20.10.8 Initialization

In the initialization example, the I²C-bus block is enabled for both Master and Slave modes. For each mode, a buffer is used for transmission and reception. The initialization routine performs the following functions:

- The slave address of the part, and the General Call bit (GC), are loaded into ADR
- The I²C-bus interrupt enable and interrupt priority bits are set
- Simultaneously setting the I2EN and AA bits in CON enables the Slave mode.
- Loading the SCLH and SCLL registers defines the serial clock frequency (for Master modes). The master routines must be started in the main program

The I²C-bus hardware now begins checking the I²C-bus for its own slave address and General Call. If the General Call or the own slave address is detected, an interrupt is requested and STAT is loaded with the appropriate state information.

20.10.9 I²C-bus interrupt service

When the I²C-bus interrupt is entered, STAT contains a status code which identifies one of the 26 state services to be executed.

20.10.10 The state service routines

Each state routine is part of the I²C-bus interrupt routine and handles one of the 26 states.

20.10.11 Adapting state services to an application

The state service examples show the typical actions that must be performed in response to the 26 I²C-bus state codes. If one or more of the four I²C-bus operating modes are not used, the associated state services can be omitted, as long as care is taken that those states can never occur.

In an application, it may be desirable to implement a timeout during I²C-bus operations to trap an inoperative bus or a lost service routine.

21. Serial Wire Debug

21.1 About this chapter

This chapter describes the features of the implemented Serial Wire Debug (SWD).

21.2 Introduction

SWD provides a clock (SWCLK) plus single bidirectional data (SWDIO) connection. This data connection provides all the normal JTAG debug and test functionality. It also provides real-time access to system memory, without halting the processor or requiring any target resident code. SWD uses an ARM standard bidirectional wire protocol to pass data between the debugger and the target system in a highly efficient and standard way. This protocol is defined in ARM Debug Interface v5.

21.3 Features

The ARM Cortex-M0+ is configured to support up to four breakpoints and two watchpoints.

- Supports ARM SWD mode
- Direct debug access to all memories, registers, and peripherals
- No target resources are required for the debugging session
- Four breakpoints. Four instruction breakpoints that can also be used to remap instruction addresses for code patches. Two data comparators that can be used to remap addresses for patches to literal values
- Two data watchpoints that can also be used as triggers

Resetting the chip does not reset the Debug Access Point.

Remark: If a debug session is in progress, do not reset the chip.

22. Serial Peripheral Interface

22.1 About this chapter

This chapter describes the Serial Peripheral Interface (SPI). (APB 0x4004 0000).

22.2 Features

- compatible with Motorola SPI, 4-wire TI SSI, and National Semiconductor Microwire buses
- Synchronous Serial Communication
- Supports master or slave operation
- Eight-frame FIFOs for both transmit and receive
- 4-bit to 16-bit frame

22.3 General description

The SPI/SSP is a Synchronous Serial Port (SSP) controller capable of operation on an SPI, 4-wire SSI, or Microwire bus. It can interact with multiple masters and slaves on the bus. Only a single master and a single slave can communicate on the bus during a given data transfer. Data transfers are in principle full duplex, with frames of 4 bits to 16 bits of bidirectional data flowing between master and slave. In practice, often only one of these two data flows carries meaningful data.

22.4 Configuration

The Serial Peripheral Interface is configured using the following registers:

- Pins: The SPI pins must be configured in the IOCON register block. In addition, use the IOCON_LOC register to select a Location for the SCLK function
- Power: In the SYSAHBCLKCTRL register, set bit 7 and bit 18
- Peripheral clock: Enable the SPI peripheral clock by writing to the SSPCLKDIV registers
- Reset: Before accessing the SPI blocks, ensure that the SSP_RST_N bits (bit 0 and bit 2) in the PRESETCTRL register (Table 8) is set to 1. This procedure de-asserts the reset signal to the SPI blocks

22.5 Pin description

Table 240. SPI pin description

Pin name	Type	Interface pin SPI	SSI	Microwire	Description
SCLK	I/O	SCLK	CLK	SK	serial clock
SSEL	I/O	SSEL	FS	CS	frame sync/slave select
MISO	I/O	MISO	DR (M) DX (S)	SI (M) SO (S)	Master In Slave Out
MOSI	I/O	MOSI	DX (M) DR (S)	SO (M) SI (S)	Master Out Slave In

Pin detailed descriptions

Serial clock — SCK/CLK/SK is a clock signal used to synchronize the transfer of data. The master drives the clock signal and the slave receives it. When SPI/SSP interface is used, the clock is programmable to be active-HIGH or active-LOW, otherwise it is always active-HIGH. SCK only switches during a data transfer. At any other time, the SPI/SSP interface either stays in its inactive state or is not driven (remains in high-impedance state).

Frame sync/Slave select — When the SPI/SSP interface is a bus master, it drives this signal to an active state before the start of serial data. It then releases it to an inactive state after the data has been sent. The active state can be HIGH or LOW depending upon the selected bus and mode. When the SPI/SSP interface is a bus slave, this signal qualifies the presence of data from the Master according to the protocol in use.

When there is only one master and slave, the Frame Sync or Slave Select signal from the Master can be connected directly to the corresponding input of the slave. When there are multiple slaves, further qualification of Frame Select/Slave Select inputs is normally necessary to prevent more than one slave from responding to a transfer.

Master In Slave Out — The MISO signal transfers serial data from the slave to the master. When the SPI/SSP is a slave, it outputs serial data on this signal. When the SPI/SSP is a master, it clocks in serial data from this signal. It does not drive this signal and leaves it in a high-impedance state when the SPI/SSP is a slave and not selected by FS/SSEL

Master Out Slave In — The MOSI signal transfers serial data from the master to the slave. When the SPI/SSP is a master, it outputs serial data on this signal. When the SPI/SSP is a slave, it clocks in serial data from this signal.

22.6 Functional description

22.6.1 Texas Instruments synchronous serial frame format

For a device configured as a master in this mode (shown in [Figure 44](#)), CLK and FS are forced LOW, and the transmit data line DX is in 3-state mode whenever the SSP is idle. Once the bottom entry of the transmit FIFO contains data, FS is pulsed HIGH for one CLK period. The value to be transmitted is also transferred from the transmit FIFO to the serial shift register of the transmit Logic. On the next rising edge of CLK, the MSB of the 4-bit to 16-bit data frame is shifted out on the DX pin. Likewise, the MSB of the received data is shifted onto the DR pin by the off-chip serial slave device.

Both the SSP and the off-chip serial slave device then clock each data bit into their serial shifter on the falling edge of each CLK. The received data is transferred from the serial shifter to the receive FIFO on the first rising edge of CLK after the LSB has been latched.

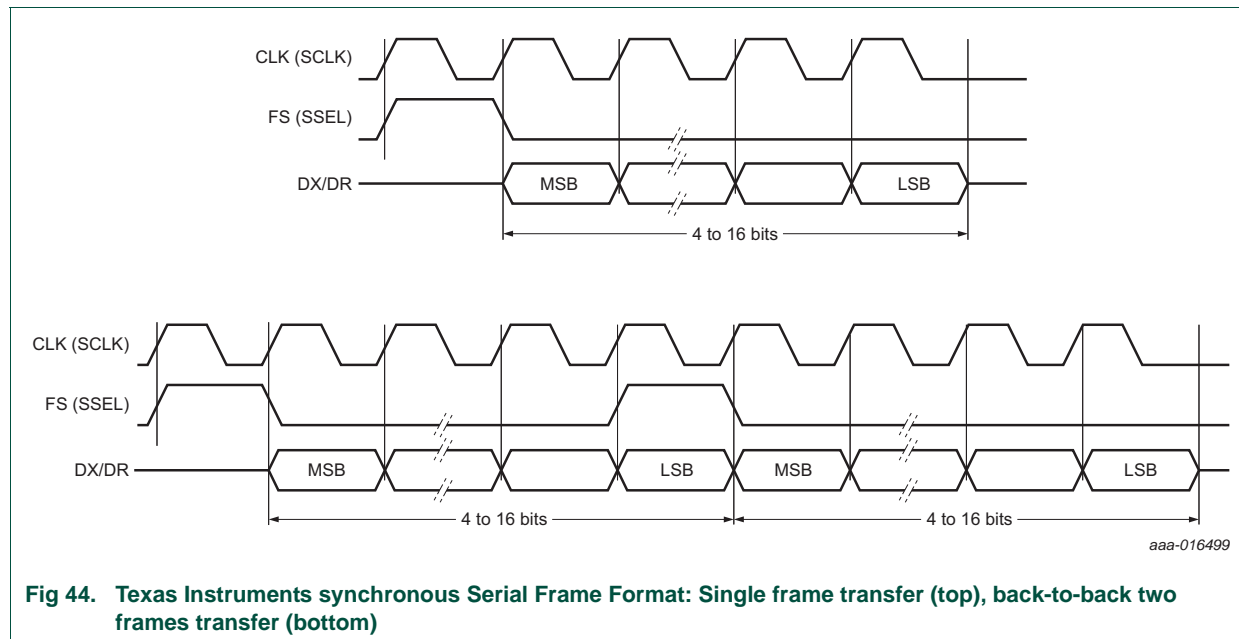


Fig 44. Texas Instruments synchronous Serial Frame Format: Single frame transfer (top), back-to-back two frames transfer (bottom)

22.6.2 SPI frame format

The SPI interface is a four-wire interface where the SSEL signal behaves as a slave select. The main feature of the SPI format is that the inactive state and phase of the SCK signal are programmable. This programming is done through the CPOL and CPHA bits within the SSPCR0 control register.

Clock Polarity (CPOL) and Phase (CPHA) control

When the CPOL clock polarity control bit is LOW, it produces a steady state LOW value on the SCK pin. If the CPOL clock polarity control bit is HIGH, a steady state HIGH value is placed on the CLK pin when data is not being transferred.

The CPHA control bit selects the clock edge that captures data and allows it to change state. It has the most impact on the first bit transmitted by either allowing or not allowing a clock transition before the first data capture edge. When the CPHA phase control bit is LOW, data is captured on the first clock edge transition. If the CPHA clock phase control bit is HIGH, data is captured on the second clock edge transition.

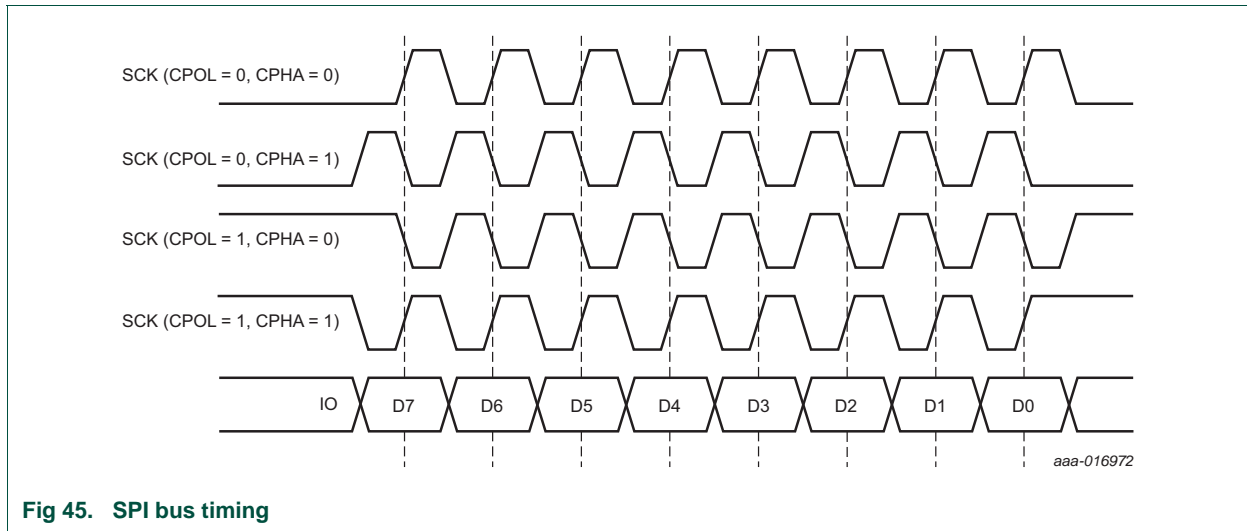


Fig 45. SPI bus timing

SPI format with CPOL = logic 0, CPHA = logic 0

Single and continuous transmission signal sequences for SPI format with CPOL = logic 0, CPHA = logic 0 are shown in [Figure 46](#).

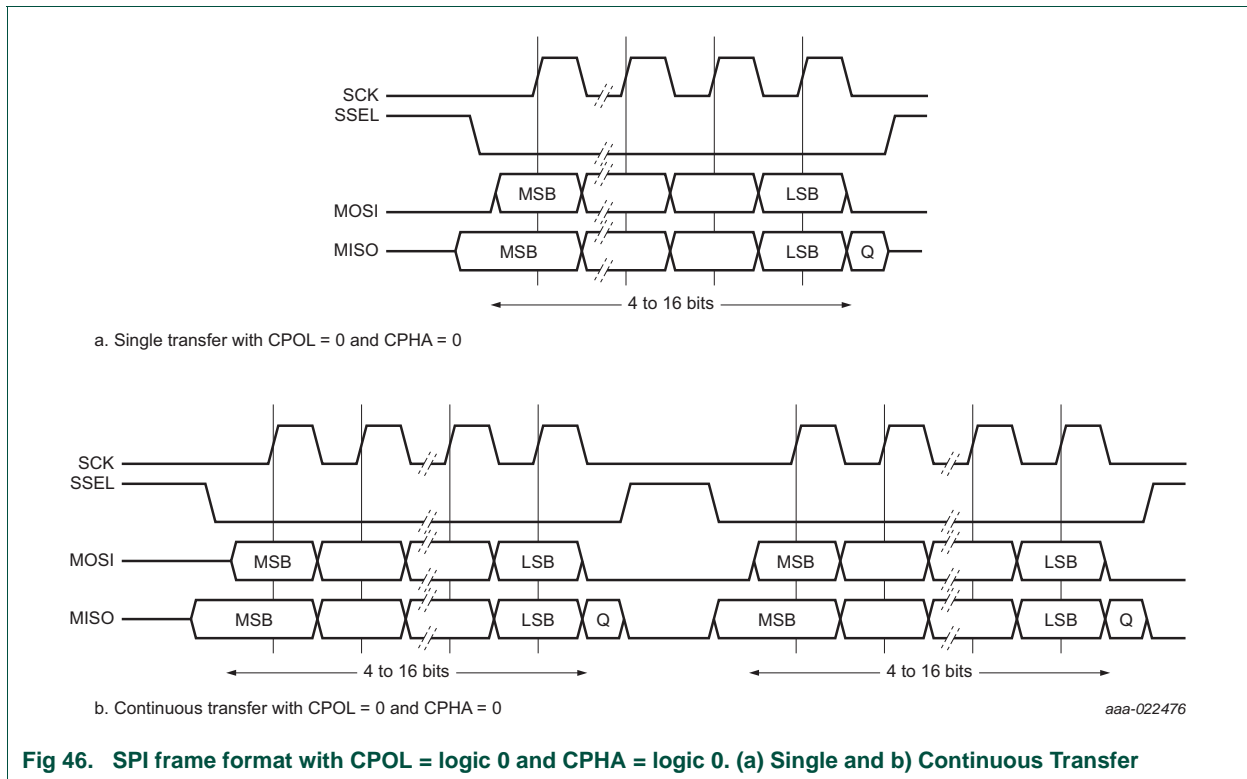


Fig 46. SPI frame format with CPOL = logic 0 and CPHA = logic 0. (a) Single and b) Continuous Transfer

In this configuration, during idle periods:

- The CLK signal is forced LOW

- SSEL is forced HIGH
- The transmit MOSI/MISO pad is in high impedance

If the SPI/SSP is enabled and there is valid data within the transmit FIFO, the SSEL master signal being driven LOW signifies the start of transmission. This signal causes slave data to be enabled onto the MISO input line of the master. The MOSI of the Master is enabled.

One half SCK period later, valid master data is transferred to the MOSI pin. Now that both the master and slave data have been set, the SCK master clock pin goes HIGH after one further half SCK period.

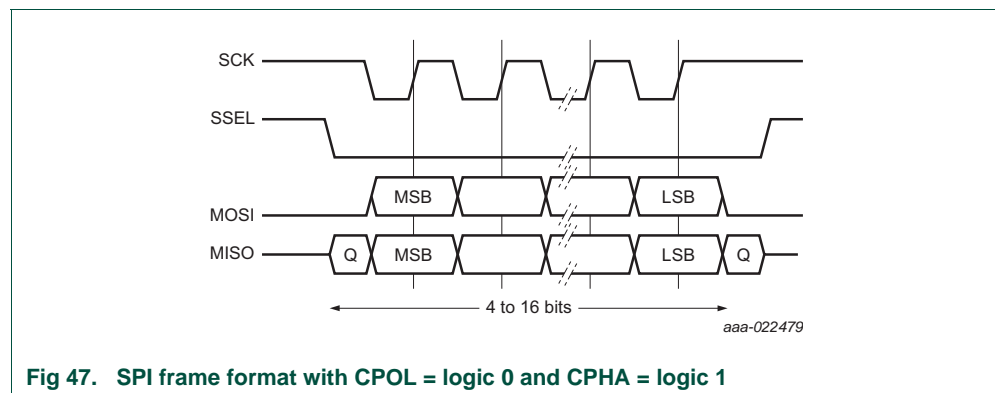
The data is captured on the rising and propagated on the falling edges of the SCK signal.

For a single word transmission, the SSEL line is returned to its idle HIGH state one SCK period after the last bit has been captured.

However, in the case of continuous back-to-back transmissions, the SSEL signal must be pulsed HIGH between each data word transfer. The reason for this is that if the CPHA bit is logic 0, the data in the serial peripheral register cannot be altered. Therefore the master device must raise the SSEL pin of the slave device between each data transfer to enable the serial peripheral data write. On completion of the continuous transfer, the SSEL pin is returned to its idle state one SCK period after the last bit has been captured.

SPI format with CPOL = logic 0, CPHA = logic 1

The transfer signal sequence for SPI format with CPOL = logic 0, CPHA = logic 1 is shown in [Figure 47](#), which covers both single and continuous transfers.



In this configuration, during idle periods:

- The CLK signal is forced LOW
- SSEL is forced HIGH
- The transmit MOSI/MISO pad is in high impedance

If the SPI/SSP is enabled and there is valid data within the transmit FIFO, the SSEL master signal being driven LOW signifies the start of transmission. The MOSI pin of the Master is enabled. After a further one half SCK period, both master and slave valid data is enabled onto their respective transmission lines. At the same time, the SCK is enabled with a rising edge transition.

Data is then captured on the falling edges and propagated on the rising edges of the SCK signal. After transferring a single word, the SSEL line is returned to its idle HIGH state one SCK period after the last bit has been captured. For continuous back-to-back transfers, the SSEL pin is held LOW between successive data words and termination is the same as for the single word transfer.

SPI format with CPOL = logic 1, CPHA = logic 0

Single and continuous transmission signal sequences for SPI format with CPOL = logic1, CPHA = logic 0 are shown in [Figure 48](#).

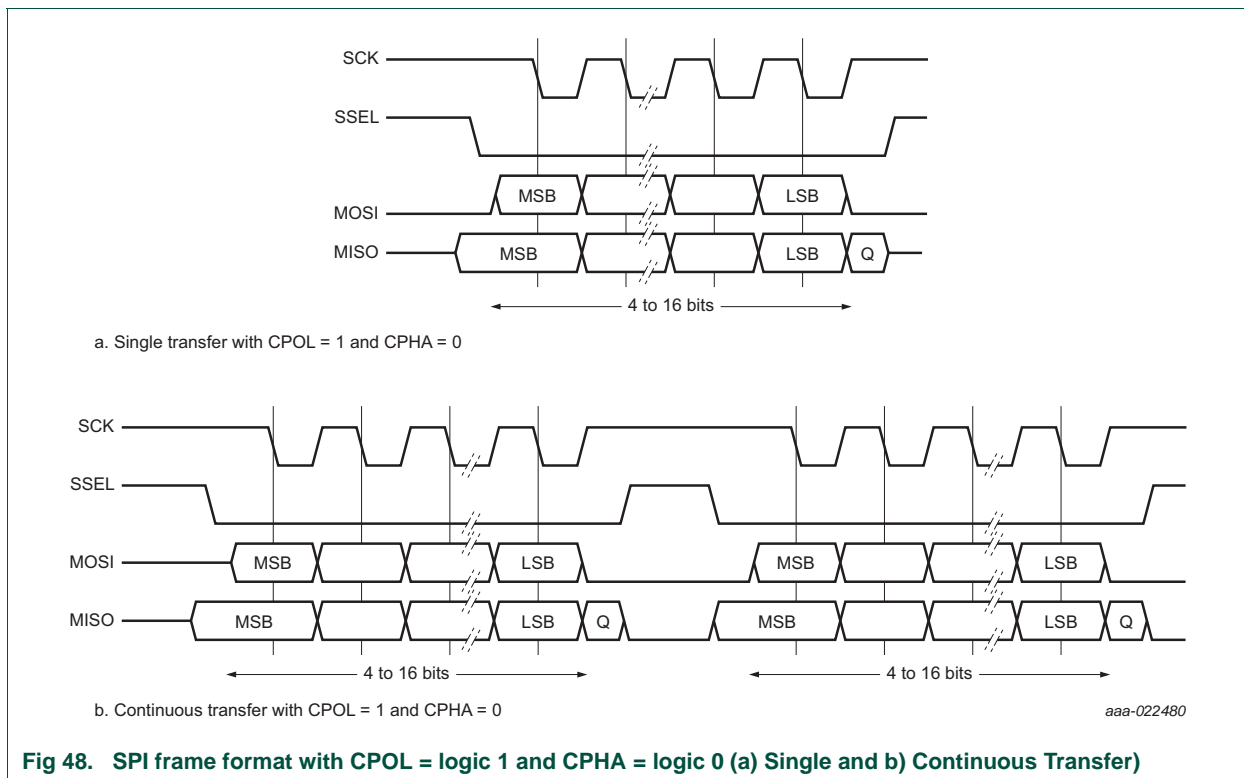


Fig 48. SPI frame format with CPOL = logic 1 and CPHA = logic 0 (a) Single and b) Continuous Transfer)

In this configuration, during idle periods:

- The CLK signal is forced HIGH
- SSEL is forced HIGH
- The transmit MOSI/MISO pad is in high impedance

If the SPI/SSP is enabled and there is valid data within the transmit FIFO, the SSEL master signal being driven LOW signifies the start of transmission. This signal causes slave data to be immediately transferred onto the MISO line of the master. The MOSI pin of the Master is enabled.

One half period later, valid master data is transferred to the MOSI line. Now that both the master and slave data have been set, the SCK master clock pin becomes LOW after one further half SCK period. Therefore data is captured on the falling edges and is propagated on the rising edges of the SCK signal.

For a single word transmission: After all bits have been transferred, the SSEL line is returned to its idle HIGH state one SCK period after the last bit has been captured.

However, in the case of continuous back-to-back transmissions, the SSEL signal must be pulsed HIGH between each data word transfer. The reason for this is that if the CPHA bit is logic 0, the data in the serial peripheral register cannot be altered. Therefore the master device must raise the SSEL pin of the slave device between each data transfer to enable the serial peripheral data write. On completion of the continuous transfer, the SSEL pin is returned to its idle state one SCK period after the last bit has been captured.

SPI format with CPOL = logic 1, CPHA = logic 1

The transfer signal sequence for SPI format with CPOL = logic 1, CPHA = logic 1 is shown in [Figure 49](#), which covers both single and continuous transfers.

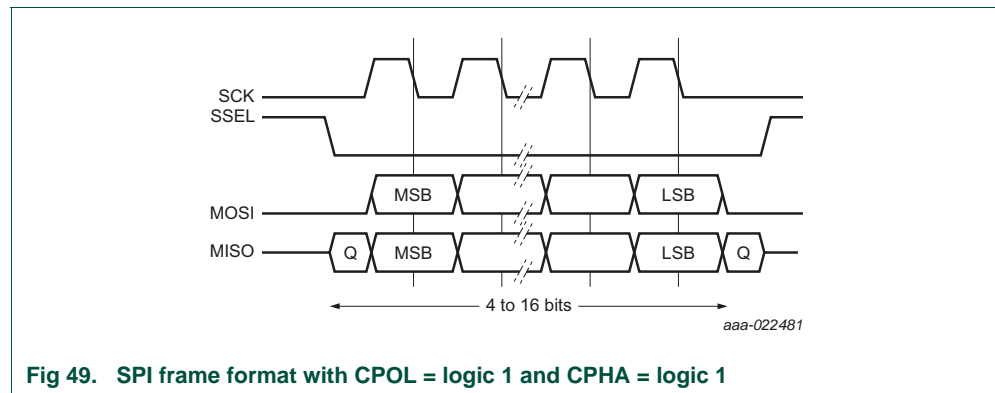


Fig 49. SPI frame format with CPOL = logic 1 and CPHA = logic 1

In this configuration, during idle periods:

- The CLK signal is forced HIGH
- SSEL is forced HIGH
- The transmit MOSI/MISO pad is in high impedence

If the SPI/SSP is enabled and there is valid data within the transmit FIFO, the SSEL master signal being driven LOW signifies the start of transmission. The MOSI pin of the Master is enabled. After a further one half SCK period, both master and slave data are enabled into their respective transmission lines. At the same time, the SCK is enabled with a falling edge transition. Data is then captured on the rising edges and propagated on the falling edges of the SCK signal.

In the case of a single word transmission: After all bits have been transferred, the SSEL line is returned to its idle HIGH state one SCK period after the last bit has been captured.

For continuous back-to-back transmissions: The SSEL pins remain in their active LOW state until the final bit of the last word has been captured. They then return to their idle state as described above.

Generally, for continuous back-to-back transfers, the SSEL pin is held LOW between successive data words and termination is the same as for a single word transfer.

22.6.3 Semiconductor Microwire frame format

Figure 50 shows the Microwire frame format for a single frame. Figure 51 shows the same format when back-to-back frames are transmitted.

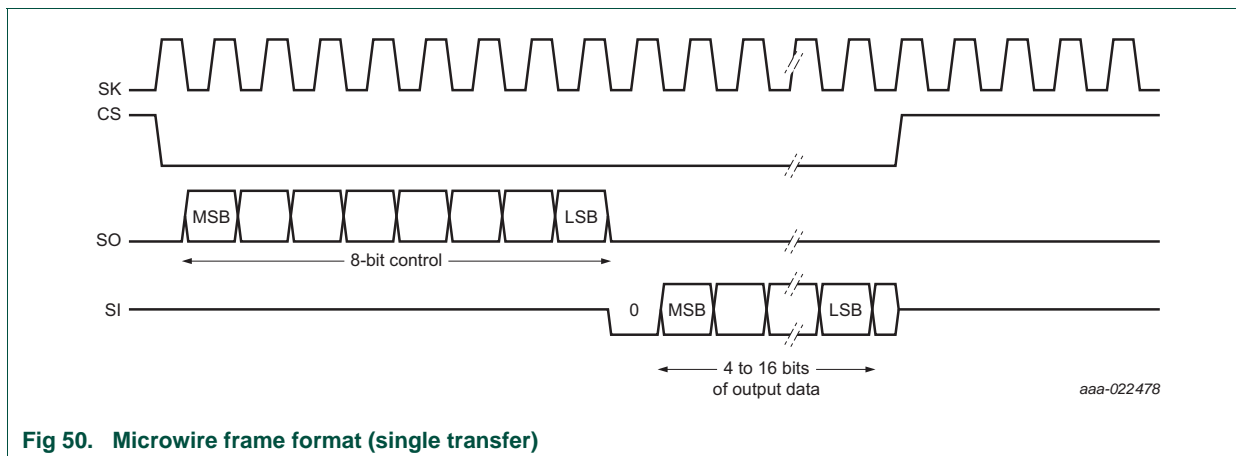


Fig 50. Microwire frame format (single transfer)

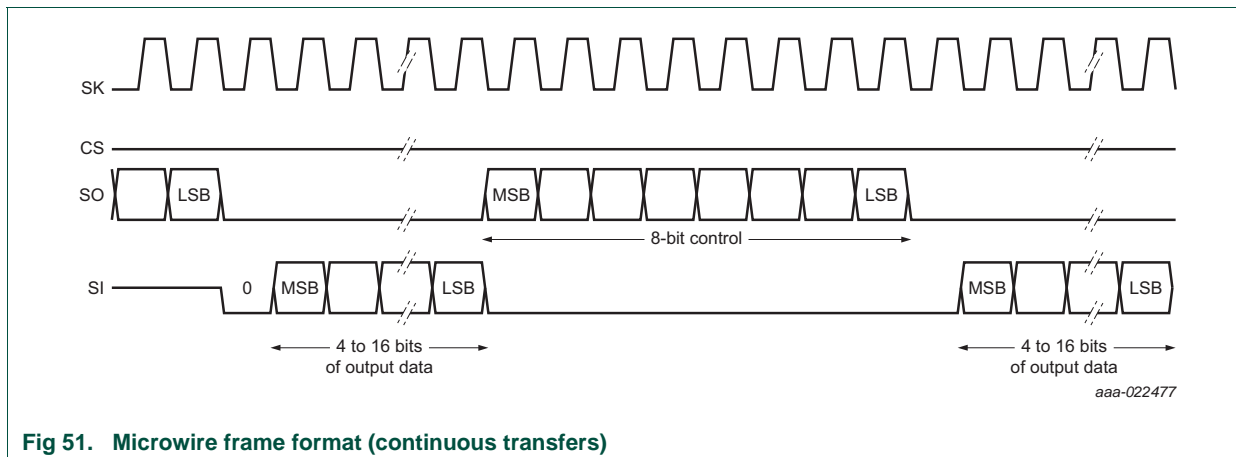


Fig 51. Microwire frame format (continuous transfers)

Microwire format is very similar to SPI format, except that transmission is half-duplex instead of full-duplex, using a master-slave message passing technique. Each serial transmission begins with an 8-bit control word that is transmitted from the SPI/SSP to the off-chip slave device. The SPI/SSP does not receive any incoming data during this transmission. After the message has been sent, the off-chip slave decodes it. Then, after waiting one serial clock after the last bit of the 8-bit control message has been sent, responds with the required data. The returned data is 4 to 16 bit in length, making the total frame length anywhere from 13 to 25 bits.

In this configuration, during idle periods:

- The SK signal is forced LOW
- CS is forced HIGH
- The transmit data line SO is arbitrarily forced LOW

A transmission is triggered by writing a control byte to the transmit FIFO. The falling edge of CS causes the bottom entry value of the transmit FIFO to be transferred to the serial shift register of the transmit logic. It also causes the MSB of the 8-bit control frame to be shifted out onto the SO pin. CS remains LOW during the frame transmission. The SI pin remains in 3-state during this transmission. The off-chip serial slave device latches each control bit into its serial shifter on the rising edge of each SK. After the slave device latches the last bit, the control byte is decoded during a one clock wait state. The slave responds by transmitting data back to the SPI/SSP. Each bit is driven onto SI line on the falling edge of SK. The SPI/SSP in turn latches each bit on the rising edge of SK. At the end of the frame, for single transfers, the CS signal is pulled HIGH one clock period after the last bit has been latched in the receive serial shifter. This signal causes the data to be transferred to the receive FIFO.

Note: The off-chip slave device can 3-state the receive line either on the falling edge of SK after the receive shifter latches the LSB, or when the CS pin goes HIGH.

For continuous transfers, data transmission begins and ends in the same manner as a single transfer. However, the CS line is continuously asserted (held LOW) and transmission of data occurs back to back. The control byte of the next frame follows directly after the LSB of the received data from the current frame. Each received value is transferred from the receive shifter on the falling edge SK, after the LSB of the frame has been latched into the SPI/SSP.

22.7 Register descriptions

The register addresses of the SPI controllers are shown in [Table 241](#).

The reset values reflect the data stored in used bits only, it does not include the content of reserved bits.

Table 241. Register overview: Serial Peripheral Interface (base address 0x4004 0000)

Name	Access	Address offset	Description	Reset value
CR0	RW	0x000	Control Register logic 0. Selects the serial clock rate, bus type, and data size	0x0000 000F
CR1	RW	0x004	Control Register logic 1. Selects master/slave and other modes	0x0000 0000
DR	RW	0x008	data Register. Writes fill the transmit FIFO, and reads empty the receive FIFO	0x0000 0000
SR	R	0x00C	Status Register	0x0000 0003
CPSR	RW	0x010	Clock Prescale Register	0x0000 0000
IMSC	RW	0x014	Interrupt Mask Set and Clear register	0x0000 0000
RIS	R	0x018	Raw Interrupt Status register	0x0000 0008
MIS	R	0x01C	Masked Interrupt Status register	0x0000 0000
ICR	W	0x020	Interrupt Clear Register	n/a

22.7.1 SPI/SSP Control register 0 (CR0)

This register controls the basic operation of the SPI/SSP controller.

Always write settings to this register, even if the desired settings match the reset default.

Table 242. CR0 register (address 0x4004 0000) bit description

Bit	Symbol	Value	Description	Reset value
3:0	DSS	-	Data Size Select. This field controls the number of bits transferred in each frame. Do not use values 0000-0010 as they are not supported	0Fh
		3h	4-bit transfer	
		4h	5-bit transfer	
		5h	6-bit transfer	
		6h	7-bit transfer	
		7h	8-bit transfer	
		8h	9-bit transfer	
		9h	10-bit transfer	
		Ah	11-bit transfer	
		Bh	12-bit transfer	
		Ch	13-bit transfer	
		Dh	14-bit transfer	
		Eh	15-bit transfer	
		Fh	16-bit transfer	
5:4	FRF	-	Frame Format	0
		00b	SPI	
		01b	TI	
		10b	Microwire	
		11b	(This combination is not supported and should not be used)	
6	CPOL	-	Clock out Polarity. This bit is only used in SPI mode	0
		0	SPI controller maintains the bus clock LOW between frames	
		1	SPI controller maintains the bus clock HIGH between frames	
7	CPHA	-	Clock out Phase. This bit is only used in SPI mode	0
		0	SPI controller captures serial data on the first clock transition of the frame, that is, the transition away from the inter-frame state of the clock line	
		1	SPI controller captures serial data on the second clock transition of the frame, that is, the transition back to the inter-frame state of the clock line	
15:8	SCR	-	Serial Clock Rate. The number of prescaler output clocks per bit on the bus, minus one. Given that CPSDVSR is the prescale divider, and the APB clock PCLK clocks the prescaler, the bit frequency is $PCLK / (CPSDVSR \times [SCR+1])$	0
31:16	-	-	(reserved)	-

22.7.2 SPI/SSP Control register 1 (CR1)

This register controls the certain aspects of the SPI/SSP controller.

Table 243. CR1 register (address 0x4004 0004) bit description

Bit	Symbol	Value	Description	Reset value
0	LBM	-	Loop back mode	0
		0	During normal operation	
		1	Serial input is taken from the serial output (MOSI or MISO) rather than the serial input pin (MISO or MOSI respectively)	
1	SSE	-	SPI Enable	0
		0	the SPI controller is enabled	
		1	the SPI controller interacts with other devices on the serial bus. Software should write the appropriate control information to the other SPI/SSP registers and interrupt controller registers, before setting this bit	
2	MS	-	Master/Slave mode. This bit can only be written when the SSE bit is logic 0	0
		0	the SPI controller acts as a master on the bus, driving the SCLK, MOSI, and SSEL lines and receiving the MISO line	
		1	the SPI controller acts as a slave on the bus, driving MISO line and receiving SCLK, MOSI, and SSEL lines	
3	SOD	-	Slave Output Disable. This bit is relevant only in slave mode (MS = logic 1). If it is logic 1, then this SPI controller is blocked from driving the transmit data line (MISO)	0
31:4	-	-	(reserved)	-

22.7.3 SPI/SSP Data register (DR)

Software can write data to be transmitted to this register and read data that has been received.

Table 244. DR register 0 (address 0x4004 0008) bit description

Bit	Symbol	Value	Description	Reset value
15:0	DATA	-	Write: software can write data to be sent in a future frame to this register whenever the TNF bit in the Status register is logic 1. This value indicates that the TX FIFO is not full. If the TX FIFO was previously empty and the SPI controller is not busy on the bus, transmission of the data begins immediately. Otherwise the data written to this register is sent as soon as all previous data has been sent (and received). If the data length is less than 16 bit, software must right-justify the data written to this register. Read: software can read data from this register whenever the RNE bit in the Status register is logic 1, indicating that the RX FIFO is not empty. When software reads this register, the SPI controller returns data from the least recent frame in the RX FIFO. If the data length is less than 16 bit, the data is right-justified in this field with higher-order bits filled with logic 0s	0
31:16	-	-	(reserved)	-

22.7.4 SPI/SSP Status register (SR)

This read-only register reflects the status of the SPI controller.

Table 245. SR register (address 0x4004 000C) bit description

Bit	Symbol	Value	Description	Reset value
0	TFE	-	Transmit FIFO Empty. This bit is logic 1 if the Transmit FIFO is empty, logic 0 if not	1
1	TNF	-	Transmit FIFO Not Full. This bit is logic 0 if the TX FIFO is full, logic 1 if not	1
2	RNE	-	Receive FIFO Not Empty. This bit is logic 0 if the Receive FIFO is empty, logic 1 if not	0
3	RFF	-	Receive FIFO Full. This bit is logic 1 if the Receive FIFO is full, logic 0 if not	0
4	BSY	-	Busy. This bit is logic 0 if the SPI controller is idle, logic 1 if it is sending/receiving a frame and/or the TX FIFO is not empty	0
31:5	-	-	(reserved)	-

22.7.5 SPI/SSP clock Prescale register (CPSR)

This register controls the factor by which the prescaler divides the SPI peripheral clock SPI_PCLK to yield the prescaler clock. The prescaler clock is, in turn, divided by the SCR factor in the SSPCR0 registers to determine the bit clock.

Table 246. CPSR register (address 0x4004 0010) bit description

Bit	Symbol	Value	Description	Reset value
7:0	CPSDVS	-	this even value between 2 and 254, by which SPI_PCLK is divided to yield the prescaler output clock. Bit 0 always reads as logic 0	0
31:8	-	-	(reserved)	-

22.7.6 SPI/SSP Interrupt Mask Set/Clear Register (IMSC)

This register controls whether each of the four possible interrupt conditions in the SPI controller are enabled. **Note:** ARM uses the word 'masked' in the opposite sense from classic computer terminology, in which 'masked' meant 'disabled'. ARM uses the word 'masked' to mean 'enabled'. To avoid confusion, we avoid using the word 'masked'.

Table 247. IMSC register (address 0x4004 0014) bit description

Bit	Symbol	Value	Description	Reset value
0	RORIM	-	software should set this bit to enable interrupt when a Receive Overrun occurs. That is, when the RX FIFO is full and another frame is received. The ARM spec implies that the preceding frame data is overwritten by the new frame data in this instance	0
1	RTIM	-	software should set this bit to enable interrupt when a Receive Time-out condition occurs. A Receive Time-out occurs when the RX FIFO is not empty, and no has not been read for a timeout period. The SSP bit rate determines the timeout period, which is the same for master and slave modes: 32 bits at PCLK / (CPSDVS [SCR+1])	0
2	RXIM	-	software should set this bit to enable interrupt when the RX FIFO is at least half full	0
3	TXIM	-	software should set this bit to enable interrupt when the TX FIFO is at least half empty	0
31:54	-	-	(reserved)	-

22.7.7 SPI/SSP Raw interrupt status register (RIS)

This read-only register contains a logic 1 for each interrupt condition that is asserted, regardless of whether the interrupt is enabled in the SSPIMSC registers.

Table 248. RIS register (address 0x4004 0018) bit description

Bit	Symbol	Value	Description	Reset value
0	RORRIS	-	this bit is logic 1 if another frame was received while the RX FIFO was full. The ARM spec implies that the preceding frame data is overwritten by the new frame data in this case	0
1	RTRIS	-	this bit is logic 1 if the RX FIFO is not empty, and has not been read for a timeout period. The SSP bit rate determines the timeout period, which is the same for master and slave modes: 32 bits at PCLK / (CPSDVSR [SCR+1])	0
2	RXRIS	-	this bit is logic 1 if the RX FIFO is at least half full	0
3	TXRIS	-	this bit is logic 1 if the TX FIFO is at least half empty	1
31:4	-	-	(reserved)	-

22.7.8 SPI/SSP Masked interrupt status register (MIS)

This read-only register contains a logic 1 for each interrupt condition that is asserted and enabled in the SSPIMSC registers. When an SPI interrupt occurs, the interrupt service routine should read this register to determine the cause or causes of the interrupt.

Table 249. MIS register (address 0x4004 001C) bit description

Bit	Symbol	Value	Description	Reset value
0	RORMIS	-	this bit is logic 1 if another frame was received while the RX FIFO was full, and this interrupt is enabled	0
1	RTMIS	-	this bit is logic 1 if the RX FIFO is not empty, has not been read for a timeout period, and this interrupt is enabled. The SSP bit rate determines the timeout period, which is the same for master and slave modes: 32 bits at PCLK / (CPSDVSR [SCR+1])	0
2	RXMIS	-	this bit is logic 1 if the RX FIFO is at least half full, and this interrupt is enabled	0
3	TXMIS	-	this bit is logic 1 if the TX FIFO is at least half empty, and this interrupt is enabled	0
31:4	-	-	(reserved)	-

22.7.9 SPI/SSP Interrupt clear register (ICR)

Software can write one or more Logic one(s) to this write-only register, to clear the corresponding interrupt condition or conditions in the SPI controller. **Note:** the other two interrupt conditions can be cleared by writing or reading the appropriate FIFO or disabled by clearing the corresponding bit in SSPIMSC registers.

Table 250. ICR register (address 0x4004 0020) bit description

Bit	Symbol	Value	Description	Reset value
0	RORIC	-	writing a logic 1 to this bit clears the 'frame was received when RX FIFO was full' interrupt	-
1	RTIC	-	writing a logic 1 to this bit clears the RX FIFO was not empty and has not been read for a timeout period interrupt. The SSP bit rate determines the timeout period, which is the same for master and slave modes: 32 bits at PCLK / (CPSDVSR [SCR+1])	-
31:2	-	-	(reserved)	-

23. General-Purpose Input Output (GPIO)

23.1 About this chapter

This chapter describes the GPIO (AHB 0x5000 0000).

23.2 Features

- GPIO pins can be configured as input or output by software
- Each individual port pin can serve as an edge or level-sensitive interrupt request
- Interrupts can be configured on single falling or rising edges and on both edges
- Level-sensitive interrupt pins can be HIGH or LOW-active
- All GPIO pins are inputs by default
- Address bits 13:2 mask the Reading and writing of GPIODATA registers

23.3 General description

Each GPIO register can be up to 12 bits wide and can be read or written using word or halfword operations at word addresses.

The reset values reflect the data stored in used bits only, it does not include the content of reserved bits.

23.4 Register description

Table 251. Register overview: General Purpose I/O (base address 0x5000 0000)

Name	Access	Address offset	Description	Reset value
GPIODATA	RW	0x0000 - 0x3FF8	data address masking register locations for pins PIO0_0 to PIO0_11	n/a
GPIODATA	RW	0x3FFC	data register for pins PIO_0 to PIO0_11	n/a
-	-	0x4000 - 0x7FFC	(reserved)	-
DIR	RW	0x8000	data direction register	0x0000 0000
IS	RW	0x8004	interrupt sense register	0x0000 0000
IBE	RW	0x8008	interrupt both edges register	0x0000 0000
IEV	RW	0x800C	interrupt event register	0x0000 0000
IMSC	RW	0x8010	interrupt mask register	0x0000 0000
RIS	R	0x8014	raw interrupt status register	0x0000 0000
MIS	R	0x8018	masked interrupt status register	0x0000 0000
IC	W	0x801C	interrupt clear register	0x0000 0000
-	-	0x8020 - 0xFFFF	(reserved)	-

23.4.1 GPIO data register (GPIODATA)

The GPIODATA register holds the current logic state of the pin, independently of whether it is configured as a GPIO input or output, or as another other digital function. If the pin is configured as GPIO output, the current value of the GPIODATA register is driven to the pin.

Table 252. GPIODATA register (address 0x5000 0000 to 0x5000 3FFC) bit description

Bit	Symbol	Description	Reset value	Access
11:0	DATA	logic levels for pins PIO0_0 to PIO0_11. HIGH = logic 1, LOW = logic 0	n/a	RW
31:12	-	(reserved)	-	-

A read of the GPIODATA register always returns the current logic level (state) of the pin independently of its configuration. There is a single data register for both the value of the output driver and the input state of the input of the pin. Because of this shared use of this register, write operations have different effects depending on the configuration of the pin:

- If a pin is configured as GPIO input, a write to the GPIODATA register has no effect on the pin level. A read returns the current state of the pin.
- If a pin is configured as GPIO output, the current value of GPIODATA register is driven to the pin. This value can be a result of writing to the GPIODATA register, or it can reflect the previous state of the pin. The latter is the case if the pin is switched to GPIO output from GPIO input or another digital function. A read returns the current state of the pin.
- If a pin is configured as another digital function (input or output), a write to the GPIODATA register has no effect on the pin level. A read returns the current state of the pin even if it is configured as an output. Therefore, by reading the GPIODATA register, the digital output or input value of a function other than GPIO on that pin can be observed.

The following rules apply when the pins are switched from input to output:

- Pin is configured as input with a HIGH level applied:
 - Change pin to output: pin drives HIGH level
- Pin is configured as input with a LOW level applied:
 - Change pin to output: pin drives LOW level

The rules show that the pins mirror the current logic level. Therefore floating pins may drive an unpredictable level when switched from input to output.

23.4.2 GPIO data direction register (DIR)

Table 253. DIR register (address 0x5000 8000) bit description

Bit	Symbol	Description	Reset value	Access
11:0	IO	selects pin x as input or output (x = 0 to 11) logic 0 = Pin PIO0_x is configured as input. logic 1 = Pin PIO0_x is configured as output	0	RW
31:12	-	(reserved)	-	-

23.4.3 GPIO interrupt sense register (IS)

Table 254. IS register (address 0x5000 8004) bit description

Bit	Symbol	Description	Reset value	Access
11:0	ISENSE	selects interrupt on pin x as level or edge sensitive (x = 0 to 11) logic 0 = Interrupt on pin PIO0_x is configured as edge sensitive logic 1 = Interrupt on pin PIO0_x is configured as level sensitive	0	RW
31:12	-	(reserved)	0	-

23.4.4 GPIO interrupt both edges sense register (IBE)

Table 255. IBE register (address 0x5000 8008) bit description

Bit	Symbol	Description	Reset value	Access
11:0	IBE	selects interrupt on pin x as level or edge sensitive (x = 0 to 11). logic 0 = Interrupt on pin PIO0_x is controlled through register GPIOIEV logic 1 = Both edges on pin PIO0_x trigger an interrupt	0	RW
31:12	-	(reserved)	0	-

23.4.5 GPIO interrupt event register (IEV)

Table 256. IEV register (address 0x5000 800C) bit description

Bit	Symbol	Description	Reset value	Access
11:0	IEV	selects interrupt on pin x to be triggered rising or falling edges (x = 0 to 11). logic 0 = Depending on setting in register IS, falling edges or LOW level on pin PIO0_x trigger an interrupt logic 1 = Depending on setting in register IS, rising edges or HIGH level on pin PIO0_x trigger an interrupt	0	RW
31:12	-	(reserved)	0	-

23.4.6 GPIO interrupt mask register (IMSC)

Bits set to HIGH in the IMSC register allow the corresponding pins to trigger their individual interrupts and the combined GPIO interrupt line. Clearing a bit disables interrupt triggering on that pin.

Table 257. IMSC register (address 0x5000 8010) bit description

Bit	Symbol	Description	Reset value	Access
11:0	MASK	selects interrupt on pin x to be masked (x = 0 to 11). logic 0 = Interrupt on pin PIO0_x is masked. logic 1 = Interrupt on pin PIO0_x is not masked	0	RW
31:12	-	(reserved)	0	-

23.4.7 GPIO raw interrupt status register (RIS)

Bits read HIGH in the RIS register reflect the raw (prior to masking) interrupt status of the corresponding pins. This status indicates that all the requirements have been met before they are allowed to trigger the IMSC. Bits read as zero indicate that the corresponding input pins have not initiated an interrupt. The register is read-only.

Table 258. RIS register (address 0x5000 8014) bit description

Bit	Symbol	Description	Reset value	Access
11:0	RAWST	raw interrupt status (x = 0 to 11). logic 0 = No interrupt on pin PIO0_x. logic 1 = Interrupt requirements met on PIO0_x	0	RW
31:12	-	(reserved)	0	-

23.4.8 GPIO masked interrupt status register (MIS)

Bits read HIGH in the MIS register reflect the status of the input lines triggering an interrupt. Bits read as LOW indicate that either no interrupt on the corresponding input pins has been generated or that the interrupt is masked. MIS is the state of the interrupt after masking. The register is read-only.

Table 259. MIS register (address 0x5000 8018) bit description

Bit	Symbol	Description	Reset value	Access
11:0	MASK	selects interrupt on pin x to be masked (x = 0 to 11). logic 0 = No interrupt or interrupt masked on pin PIO0_x. logic 1 = Interrupt on PIO0_x	0	R
31:12	-	(reserved)	0	-

23.4.9 GPIO interrupt clear register (IC)

This register allows software to clear edge detection for port bits that are identified as edge-sensitive in the interrupt Sense register. This register has no effect on port bits identified as level sensitive.

Table 260. IC register (address 0x5000 801C) bit description

Bit	Symbol	Description	Reset value	Access
11:0	CLR	selects interrupt on pin x to be cleared (x = 0 to 11). Clears the interrupt edge detection logic. This register is write-only. Remark: The synchronizer between the GPIO and the NVIC blocks causes a delay of 2 clocks. Two NOPs should be added after the clear of the interrupt edge detection logic before the exit of the interrupt service routine. logic 0 = No effect. logic 1 = Clears edge detection logic for pin PIO0_x	0	W
31:12	-	(reserved)	0	-

23.5 Functional description

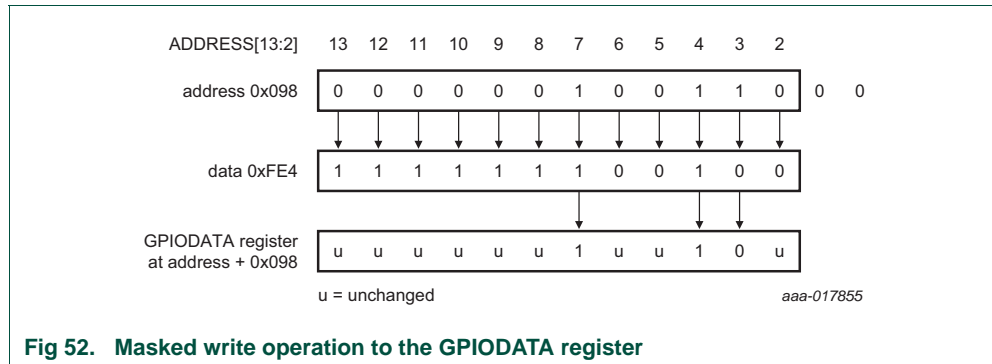
23.5.1 Write/read data operation

Bits [13:2] of a 14-bit wide address bus are used to create a 12-bit wide mask for write and read operations on the 12 GPIO pins for each port. This mask enables software to set GPIO bits without affecting any other pins in a single write operation: Read and write operations only affect GPIODATA bits masked by logic 1.

The masked GPIODATA register can be located anywhere between address offsets 0x0000 to 0x3FFC in the GPIO address space. Reading and writing to the GPIODATA register at address 0x3FFC sets all masking bits to logic 1.

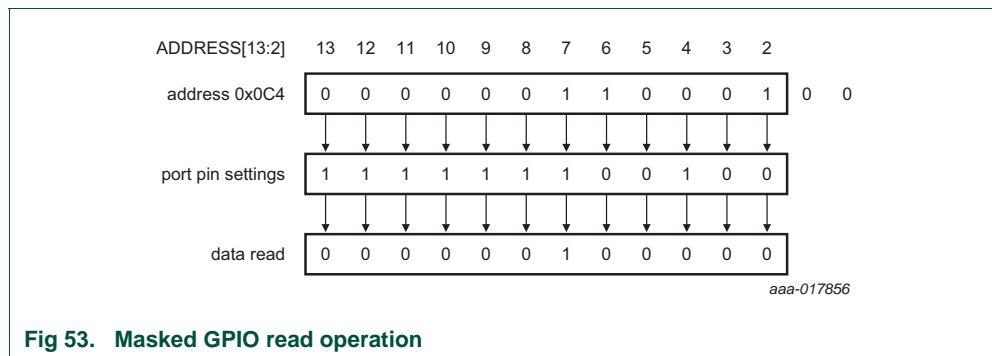
Write operation

If address bit ($i+2$) associated with the GPIO port bit i ($i = 0$ to 11) to be written is HIGH, the GPIODATA register bit i is updated. If the address bit ($i+2$) is LOW, the corresponding GPIODATA register bit i is left unchanged.



Read operation

If the address bit associated with the GPIO data bit is HIGH, the value is read. If the address bit is LOW, the GPIO data bit is read as logic 0. Reading a port DATA register yields the state of port pins 11:0 ANDed with address bits 13:2.



24. Input/Output configuration

24.1 About this chapter

This chapter describes the registers forming the Input/Output (IO) configuration block.

24.2 General description

The I/O configuration registers control the electrical characteristics of the pads. The following features are programmable:

- pin function
- internal pull-up/pull-down resistor or bus keeper function
- low-pass filter
- I²C-bus mode for pads hosting the I²C-bus function.

The IOCON registers control the function (GPIO or peripheral function), the input mode, and the hysteresis of all PIO_m pins. In addition, the I²C-bus pins can be configured for different I²C-bus modes.

24.2.1 PIO0 pin functions

The FUNC bits in the IOCON registers can be set to GPIO (FUNC = 000) or to a peripheral function. If the pins are GPIO pins, the GPIO0DIR registers determine whether the pin is configured as an input or output. For any peripheral function, the pin direction is controlled automatically depending on the functionality of the pins. The GPIO0DIR registers have no effect on peripheral functions.

Table 261. Pad direction and MFIO settings

Direction	A	(pad)	Note
Input	.	Z	input mode, externally driven
Output	0	0	output mode logic 0
Output	1	1	output mode logic 1

24.2.2 PIO0 pin mode

The MODE bits in the IOCON register allow the selection of on-chip pull-up or pull-down resistors for each pin, or to select the repeater mode. The possible on-chip resistor configurations are pull-up enabled, pull-down enabled, or no pull-up/pull-down. The default value is all disabled. The repeater mode enables the pull-up resistor when the pin is at logic 1, and enables the pull-down resistor when the pin is at logic 0. This mode causes the pin to retain its last known state, if it is configured as an input and is not driven externally. The state retention is not applicable to the Deep power-down mode. Repeater mode may typically be used to prevent a pin from floating when it is temporarily not driven. Allowing it to float could potentially use significant power.

The LPF bit indicates whether the low pass / glitch filtered input is selected or not.

Table 262. LPF bit and MFIO pad output selection

LPF	pad output selected
0	ZI
1	ZIF

24.2.3 PIO0 I²C mode

Pads PIO0_4 and PIO0_5 can be used in I²C-bus and GPIO mode. The pads are open-drain (in both modes). The FUNC bits of registers IOCON_PIO0_4 and IOCON_PIO0_5 select the I²C-bus or GPIO mode. Depending on the selection, an input glitch filter is active or not:

- In I²C-bus mode (FUNC=001b), no glitch filter is present on the input but there is glitch filtering in the I²C-bus block
- In GPIO mode (FUNC=000b), a 50 ns glitch filter is active on the input

The I2CMODE bits of the registers IOCON_PIO0_4 and IOCON_PIO0_5 determine the output behavior, independent of the FUNC selection:

- With I2CMODE=00b (default), the selected mode is I²C-bus standard/fast mode transmit, with turn-on slew-rate control
- With I2CMODE=01b, the selected mode is open-drain GPIO (4 mA) without slew-rate control

The I²C-bus pads have no pull-up/pull down functionality.

Table 263. Pad output behavior

Requested output from IC core	I2CMODE	(pad)	Mode
0	00	0	I ² C-bus standard/fast mode transmit
1	00	Z	I ² C-bus standard/fast mode transmit
0	01	0	open-drain GPIO (4 mA)
1	01	Z	open-drain GPIO (4 mA)
0	10	0	(reserved)
1	10	Z	(reserved)
0	11	0	(reserved)
1	11	Z	(reserved)

24.2.4 PIO0 Current Drive mode

PIO0_3, PIO0_7, PIO0_10, and PIO0_11 are high-drive pads that can deliver up to 20 mA to the load. These PIO pins can be set to either digital mode or current sink mode. In digital mode, the output **voltage** of the pad switches between V_{SS} and V_{DD}. In current sink mode, the output **current** sink switches between I_{drive(low)} and I_{drive(high)} as set by the ILOW and IHI bits. The maximum pad voltage is limited to 5 V.

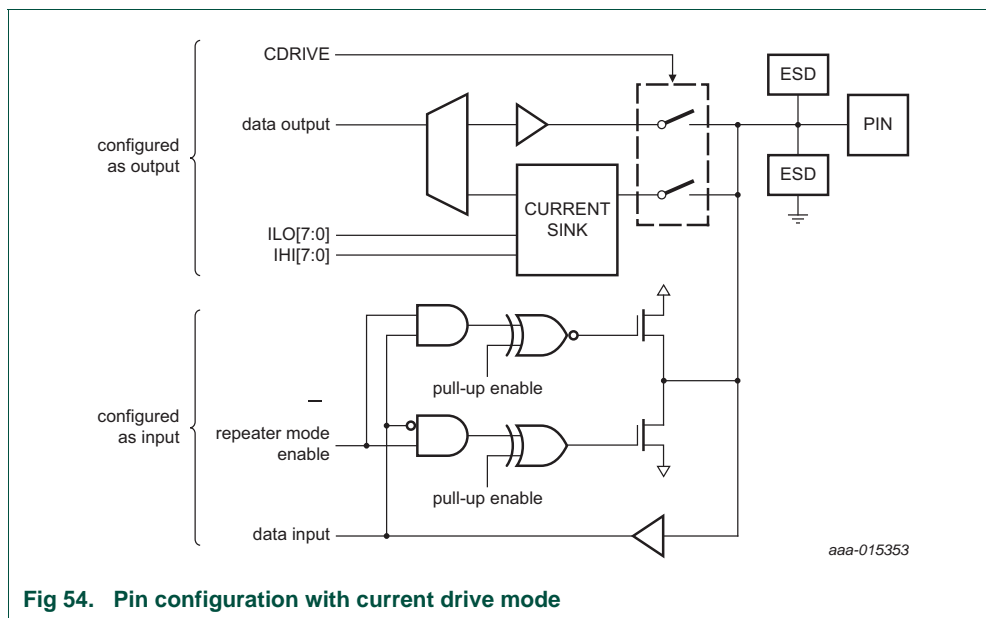


Fig 54. Pin configuration with current drive mode

The DDRIVE bit indicates whether the high or ultra-high drive is selected.

Table 264. DDRIVE bit settings

DDRIVE	Description
0	high drive (20 mA drive at 3.1 V supply)
1	ultra-high drive (20 mA drive at 2.4 V supply)

The CDRIVE bit sets the pad to current sink mode (an analog output mode). The current drive mode can only be selected when the PIOs are in output mode. The direction of the pad is controlled via the FUNC bits and the direction register, DIR, of the GPIO block when FUNC = "000".

The IDAC controller sets the digital features of the pad to high-impedance input mode with disabled receiver. The controller directly drives the IO port of the pad according to the values of ILO and IHI.

Table 265. Pad mode as function of CDRIVE

Direction	CDRIVE	Description
Input	0	digital in
Output	0	digital out
Input	1	digital in
Output	1	current drive out

24.2.5 Reset state of pins

The reset states of the digital pins are chosen to have minimal interaction with external connections (high-Z input). All unused pins should be connected to known potential (either VDD or VSS), and connected pins should not be left floating.

The reset state of the analog pins disconnects the internal analog bus and pulls down the external pin to VSS.

24.2.6 ANA0 input selection

The analog pins have direct analog connections to the internal analog buses, and are protected by the ESD structures. The FUNC bit in the IOCON register determines the interconnections.

24.3 IOCON register descriptions (base address 0x4004 4000)

The I/O configuration registers control the PIO port pins, inputs and outputs of all peripherals and functional blocks, I²C-bus pins and analog input/output pins.

Each port pin PIO0_x and ANA0_x has one IOCON register assigned to control the function and electrical characteristics of the pin.

Table 266. Register overview: I/O configuration (base address 0x4004 4000)

Name	Access	Address offset	Description	Reset value	Reference
PIO0_0 [1]	RW	0x000	PIO0_0 / WAKEUP	0x0000 0000	Table 267
PIO0_1	RW	0x004	PIO0_1 / CLKOUT	0x0000 0000	Table 268
PIO0_2	RW	0x008	PIO0_2 / SPI SSEL	0x0000 0000	Table 269
PIO0_3	RW	0x00C	PIO0_3 / CT16B_M0	0x0000 0000	Table 270
PIO0_4	RW	0x010	PIO0_4 / IIC_SCL	0x0000 0001	Table 271
PIO0_5	RW	0x014	PIO0_5 / IIC_SDA	0x0000 0001	Table 272
PIO0_6	RW	0x018	PIO0_6 / SPI_SCLK	0x0000 0000	Table 273
PIO0_7	RW	0x01C	PIO0_7 / CT16B_M1	0x0080 0000	Table 274
PIO0_8	RW	0x020	PIO0_8 / SPI_MISO	0x0000 0000	Table 275
PIO0_9	RW	0x024	PIO0_9 / SPI_MOSI	0x0000 0000	Table 276
PIO0_10	RW	0x028	PIO0_10 / CT32B_M0 / SWCLK	0x0080 0002	Table 277
PIO0_11	RW	0x02C	PIO0_11 / CT32B_M1 / SWDIO	0x0080 0002	Table 278
ANA0_0	RW	0x030	ana_bus0	0x0000 0000	Table 279
ANA0_1	RW	0x034	ana_bus1	0x0000 0000	Table 280
ANA0_2	RW	0x038	ana_bus2	0x0000 0000	Table 281
ANA0_3	RW	0x03C	ana_bus3	0x0000 0000	Table 282
ANA0_4	RW	0x040	ana_bus4	0x0000 0000	Table 283
ANA0_5	RW	0x044	ana_bus5	0x0000 0000	Table 284
ANABUSGROUND	RW	0x080	analog bus grounding control	0x0FFF FFFF	Table 285

[1] If the WAKEUP bit is set in the PCON register of the PMU, the PIO0_0 WAKEUP function is automatically selected when entering Deep Power-down mode. The WAKEUP signal should be a stable low for 100 μ s to wake the system.

24.3.1 PIO0_0

Table 267. PIO0_0 register (address 0x4004 4000) bit description

Bit	Symbol	Value	Description	Reset value
2:0	FUNC	-	selects pin function. All other values are reserved	0
		000b	PIO0_0	
		001b	WAKEUP	
		(other)	(not allowed)	
4:3	MODE	-	selects function mode (on-chip pull-up/pull-down resistor control)	0
		00b	Inactive (no pull-up/down resistor enabled)	
		01b	Pull-down resistor enabled	
		10b	Pull-up resistor enabled	
		11b	Repeater mode	
5	LPF	-	Low-pass filter	0
		00b	disable	
		01b	enable	
7:6	-	-	(reserved)	0
31:8	-	-	(reserved)	0

24.3.2 PIO0_1

Table 268. PIO0_1 register (address 0x4004 4004) bit description

Bit	Symbol	Value	Description	Reset value
2:0	FUNC	-	selects pin function. all other values are reserved	0
		000b	PIO0_1	
		001b	CLKOUT	
		(other)	(not allowed)	
4:3	MODE	-	selects function mode (on-chip pull-up/pull-down resistor control)	0
		00b	inactive (no pull-up/down resistor enabled)	
		01b	pull-down resistor enabled	
		10b	pull-up resistor enabled	
		11b	repeater mode	
5	LPF	-	low-pass filter	0
		0	disable	
		1	enable	
7:6	-	-	(reserved)	0
31:8	-	-	(reserved)	0

24.3.3 PIO0_2

Table 269. PIO0_2 register (address 0x4004 4008) bit description

Bit	Symbol	Value	Description	Reset value
2:0	FUNC	-	selects pin function. all other values are reserved	0
		000b	PIO0_2	
		001b	SPI/SSP SSEL	
		(other)	(not allowed)	
4:3	MODE	-	selects function mode (on-chip pull-up/pull-down resistor control)	0
		00b	inactive (no pull-up/down resistor enabled)	
		01b	pull-down resistor enabled	
		10b	pull-up resistor enabled	
		11b	repeater mode	
5	LPF	-	low-pass filter	0
		0	disable	
		1	enable	
7:6	-	-	(reserved)	0
31:8	-	-	(reserved)	0

24.3.4 PIO0_3

PIO0_3 is a high-drive, dual-mode (voltage and current sink) source/sink pad.

Table 270. PIO0_3 register (address 0x4004 400C) bit description

Bit	Symbol	Value	Description	Reset value
2:0	FUNC	-	selects pin function. all other values are reserved	0
		000b	PIO0_3	
		001b	CT16B_M0	
		(other)	(not allowed)	
4:3	MODE	-	selects function mode (on-chip pull-up/pull-down resistor control)	0
		00b	inactive (no pull-up/down resistor enabled)	
		01b	pull-down resistor enabled	
		10b	pull-up resistor enabled	
		11b	repeater mode	
5	LPF	-	low-pass filter	0
		0	disable	
		1	enable	
6	CDRIVE	-	select pin output driver	0
	-	0	fixed voltage driver	
	-	1	programmable current driver	

Table 270. PIO0_3 register (address 0x4004 400C) bit description

Bit	Symbol	Value	Description	Reset value
7	DDRIVE	-	digital drive strength	0
		0	high drive	
		1	ultra-high drive	
15:8	ILO	-	output LOW (deasserted) value	0
23:16	IHI	-	output HIGH (asserted) value	80h
31:24	-	-	(reserved)	0

24.3.5 PIO0_4

Table 271. PIO0_4 register (address 0x4004 4010) bit description

Bit	Symbol	Value	Description	Reset value
2:0	FUNC	-	selects pin function. all other values are reserved	1
		000b	PIO0_4 (open-drain pin)	
		001b	I ² C-bus SCL (open-drain pin)	
		(other)	(not allowed)	
7:3	-	-	(reserved)	0
9:8	I2CMODE	-	selects the output mode of the pad	0
		00b	I ² C-bus standard/fast-mode	
		01b	open-drain GPIO (4 mA) functionality	
		10b	(reserved)	
		11b	(reserved)	
31:10	-	-	(reserved)	0

24.3.6 PIO0_5

Table 272. PIO0_5 register (address 0x4004 4014) bit description

Bit	Symbol	Value	Description	Reset value
2:0	FUNC	-	selects pin function. all other values are reserved	1
		000b	PIO0_5 (open-drain pin)	
		001b	I ² C SDA (open-drain pin)	
		(other)	(not allowed)	
7:3	-	-	(reserved)	0
9:8	I2CMODE	-	selects the output mode of the pad	0
		00b	I ² C-bus standard/fast-mode	
		01b	open-drain GPIO (4 mA) functionality	
		10b	(reserved)	
		11b	(reserved)	
31:10	-	-	(reserved)	0

24.3.7 PIO0_6

Table 273. PIO0_6 register (address 0x4004 4018) bit description

Bit	Symbol	Value	Description	Reset value
2:0	FUNC	-	selects pin function. all other values are reserved	0
		000b	PIO0_6	
		001b	SPI/SSP SCLK	
		(other)	(not allowed)	
4:3	MODE	-	selects function mode (on-chip pull-up/pull-down resistor control)	0
		00b	inactive (no pull-up/down resistor enabled)	
		01b	pull-down resistor enabled	
		10b	pull-up resistor enabled	
		11b	repeater mode	
5	LPF	-	low-pass filter	0
		0	disable	
		1	enable	
7:6	-	-	(reserved)	0
31:8	-	-	(reserved)	0

24.3.8 PIO0_7

PIO0_7 is a high-drive, dual-mode (voltage and current sink) source/sink pad.

Table 274. PIO0_7 register (address 0x4004 401C) bit description

Bit	Symbol	Value	Description	Reset value
2:0	FUNC	-	selects pin function. all other values are reserved	0
		000b	PIO0_7	
		001b	CT16B_M1	
		(other)	(not allowed)	
4:3	MODE	-	selects function mode (on-chip pull-up/pull-down resistor control)	0
		00b	inactive (no pull-up/down resistor enabled)	
		01b	pull-down resistor enabled	
		10b	pull-up resistor enabled	
		11b	repeater mode	
5	LPF	-	low-pass filter	0
		0	disable	
		1	enable	
6	CDRIVE	-	select pin output driver	0
		0	fixed voltage driver	
		1	programmable current driver	

Table 274. PIO0_7 register (address 0x4004 401C) bit description *_continued*

Bit	Symbol	Value	Description	Reset value
7	DDRIVE	-	digital drive strength	-
		0	high drive	
		1	ultra-high drive	
15:8	ILO	-	output LOW (deasserted) value	0
23:16	IHI	-	output HIGH (asserted) value	80h
31:24	-	-	(reserved)	0

24.3.9 PIO0_8

Table 275. PIO0_8 register (address 0x4004 4020) bit description

Bit	Symbol	Value	Description	Reset value
2:0	FUNC	-	selects pin function. all other values are reserved	0
		000b	PIO0_8	
		001b	SPI/SSP MISO	
		(other)	(not allowed)	
4:3	MODE	-	selects function mode (on-chip pull-up/pull-down resistor control)	0
		00b	inactive (no pull-up/down resistor enabled)	
		01b	pull-down resistor enabled	
		10b	pull-up resistor enabled	
		11b	repeater mode	
5	LPF	-	low-pass filter	0
		0	disable	
		1	enable	
7:6	-	-	(reserved)	0
31:8	-	-	(reserved)	0

24.3.10 PIO0_9

Table 276. PIO0_9 register (address 0x4004 4024) bit description

Bit	Symbol	Value	Description	Reset value
2:0	FUNC	-	selects pin function. all other values are reserved	0
		000b	PIO0_9	
		001b	SPI/SSP MOSI	
		(other)	(not allowed)	
4:3	MODE	-	selects function mode (on-chip pull-up/pull-down resistor control)	0
		00b	inactive (no pull-up/down resistor enabled)	
		01b	pull-down resistor enabled	
		10b	pull-up resistor enabled	
		11b	repeater mode	

Table 276. PIO0_9 register (address 0x4004 4024) bit description *_continued*

Bit	Symbol	Value	Description	Reset value
5	LPF	-	low-pass filter	0
		0	disable	
		1	enable	
7:6	-	-	(reserved)	0
31:8	-	-	(reserved)	0

24.3.11 PIO0_10

PIO0_10 is a high-drive, dual-mode (voltage and current sink) source/sink pad.

Table 277. PIO0_10 register (address 0x4004 4028) bit description

Bit	Symbol	Value	Description	Reset value
2:0	FUNC	-	selects pin function. all other values are reserved	010b
		000b	PIO0_10	
		001b	CT32B_M0	
		010b	SWCLK	
		(other)	(not allowed)	
4:3	MODE	-	selects function mode (on-chip pull-up/pull-down resistor control)	0
		00b	inactive (no pull-up/down resistor enabled)	
		01b	pull-down resistor enabled	
		10b	pull-up resistor enabled	
		11b	repeater mode	
5	LPF	-	low-pass filter	0
		0	disable	
		1	enable	
6	CDRIVE	-	select pin output driver	0
		0	fixed voltage driver	
		1	Programmable current driver	
7	DDRIVE	-	digital drive strength	0
		0	high Drive	
		1	ultra-high Drive	
15:8	ILO	-	output LOW (deasserted) value	0
23:16	IHI	-	output HIGH (asserted) value	80h
31:24	-	-	(reserved)	0

24.3.12 PIO0_11

PIO0_11 is a high-drive, dual-mode (voltage and current sink) source/sink pad.

Table 278. PIO0_11 register (address 0x4004 402C) bit description

Bit	Symbol	Value	Description	Reset value
2:0	FUNC	-	selects pin function. All other values are reserved	010b
		000b	PIO0_11	
		001b	CT32B_M1	
		010b	SWDIO	
		(other)	(not allowed)	
4:3	MODE	-	selects function mode (on-chip pull-up/pull-down resistor control)	0
		00b	inactive (no pull-up/down resistor enabled)	
		01b	pull-down resistor enabled	
		10b	pull-up resistor enabled	
		11b	repeater mode	
5	LPF	-	low-Pass Filter	0
		0	disable	
		1	enable	
6	CDRIVE	-	select pin output driver	0
		0	fixed voltage driver	
		1	programmable current driver	
7	DDRIVE	-	digital drive strength	0
		0	high drive pad	
		1	ultra-high drive pad	
15:8	ILO	-	output LOW (deasserted) value	0
23:16	IHI	-	output HIGH (asserted) value	80h
31:24	-	-	(reserved)	0

24.3.13 ANA0_0

Table 279. ANA0_0 register (address 0x4004 4030) bit description

Bit	Symbol	Value	Description	Reset value
2:0	FUNC	-	selects pin function. All other values are reserved	0
		000b	connect to VSS	
		001b	connect to ana_extbus0	
		(other)	(not allowed)	
7:3	-	-	(reserved)	0
31:8	-	-	(reserved)	0

24.3.14 ANA0_1

Table 280. ANA0_1 register (address 0x4004 4034) bit description

Bit	Symbol	Value	Description	Reset value
2:0	FUNC	-	selects pin function. All other values are reserved	0
		000b	connect to VSS	
		001b	connect to ana_extbus1	
		(other)	(not allowed)	
7:3	-	-	(reserved)	0
31:8	-	-	(reserved)	0

24.3.15 ANA0_2

Table 281. ANA0_2 register (address 0x4004 4038) bit description

Bit	Symbol	Value	Description	Reset value
2:0	FUNC	-	selects pin function. All other values are reserved	0
		000b	connect to VSS	
		001b	connect to ana_extbus2	
		(other)	(not allowed)	
7:3	-	-	(reserved)	0
31:8	-	-	(reserved)	0

24.3.16 ANA0_3

Table 282. ANA0_3 register (address 0x4004 403C) bit description

Bit	Symbol	Value	Description	Reset value
2:0	FUNC	-	selects pin function. All other values are reserved	0
		000b	connect to VSS	
		001b	connect to ana_extbus3	
		(other)	(not allowed)	
7:3	-	-	(reserved)	0
31:8	-	-	(reserved)	0

24.3.17 ANA0_4

Table 283. ANA0_4 register (address 0x4004 4040) bit description

Bit	Symbol	Value	Description	Reset value
2:0	FUNC	-	selects pin function. All other values are reserved	0
		000b	connect to VSS	
		001b	connect to ana_extbus4	
		(other)	(not allowed)	
7:3	-	-	(reserved)	0
31:8	-	-	(reserved)	0

24.3.18 ANA0_5

Table 284. ANA0_5 register (address 0x4004 4044) bit description

Bit	Symbol	Value	Description	Reset value
2:0	FUNC	-	selects pin function. All other values are reserved	0
		000b	connect to VSS	
		001b	connect to ana_extbus5	
		(other)	(not allowed)	
7:3	-	-	(reserved)	0
31:8	-	-	(reserved)	0

24.3.19 ANABUSGROUND

The ANABUSGROUND register controls the internal grounding of the analog buses. By default, all analog buses are connected to VSS.

Table 285. ANABUSGROUND register (address 0x4004 408) bit description

Bit	Symbol	Value	Description	Reset value
0	AGND_E0	-	connect ana_extbus0 to VSS	1
		0	bus not connected to VSS	
		1	bus connected to VSS	
1	AGND_E1	-	connect ana_extbus1 to VSS	1
		0	bus not connected to VSS	
		1	bus connected to VSS	
2	AGND_E2	-	connect ana_extbus2 to VSS	1
		0	bus not connected to VSS	
		1	bus connected to VSS	
3	AGND_E3	-	connect ana_extbus3 to VSS	1
		0	bus not connected to VSS	
		1	bus connected to VSS	
4	AGND_E4	-	connect ana_extbus4 to VSS	1
		0	bus not connected to VSS	
		1	bus connected to VSS	
5	AGND_E5	-	connect ana_extbus5 to VSS	1
		0	bus not connected to VSS	
		1	bus connected to VSS	
6	AGND_E6	-	connect ana_extbus6 to VSS	1
		0	bus not connected to VSS	
		1	bus connected to VSS	
7	AGND_E7	-	connect ana_extbus7 to VSS	1
		0	bus not connected to VSS	
		1	bus connected to VSS	

Table 285. ANABUSGROUND register (address 0x4004 408) bit description *_continued*

Bit	Symbol	Value	Description	Reset value
8	AGND_E8	-	connect ana_extbus8 to VSS	1
		0	bus not connected to VSS	
		1	bus connected to VSS	
9	AGND_E9	-	connect ana_extbus9 to VSS	1
		0	bus not connected to VSS	
		1	bus connected to VSS	
10	AGND_E10	-	connect ana_extbus10 to VSS	1
		0	bus not connected to VSS	
		1	bus connected to VSS	
11	AGND_E11	-	connect ana_extbus11 to VSS	1
		0	bus not connected to VSS	
		1	bus connected to VSS	
12	AGND_I0	-	connect ana_intbus0 to VSS	1
		0	bus not connected to VSS	
		1	bus connected to VSS	
13	AGND_I1	-	connect ana_intbus1 to VSS	1
		0	bus not connected to VSS	
		1	bus connected to VSS	
14	AGND_I2	-	connect ana_intbus2 to VSS	1
		0	bus not connected to VSS	
		1	bus connected to VSS	
15	AGND_I3	-	connect ana_intbus3 to VSS	1
		0	bus not connected to VSS	
		1	bus connected to VSS	
16	AGND_I4	-	connect ana_intbus4 to VSS	1
		0	bus not connected to VSS	
		1	bus connected to VSS	
17	AGND_5	-	connect ana_intbus5 to VSS	1
		0	bus not connected to VSS	
		1	bus connected to VSS	
18	AGND_I6	-	connect ana_intbus6 to VSS	1
		0	bus not connected to VSS	
		1	bus connected to VSS	
19	AGND_I7	-	connect ana_intbus7 to VSS	1
		0	bus not connected to VSS	
		1	bus connected to VSS	
20	AGND_I8	-	connect ana_intbus8 to VSS	1
		0	bus not connected to VSS	
		1	bus connected to VSS	

Table 285. ANABUSGROUND register (address 0x4004 408) bit description *_continued*

Bit	Symbol	Value	Description	Reset value
21	AGND_I9	-	connect ana_intbus9 to VSS	1
		0	bus not connected to VSS	
		1	bus connected to VSS	
22	AGND_I10	-	connect ana_intbus10 to VSS	1
		0	bus not connected to VSS	
		1	bus connected to VSS	
23	AGND_I11	-	connect ana_intbus11 to VSS	1
		0	bus not connected to VSS	
		1	bus connected to VSS	
24	AGND_I12	-	connect ana_intbus12 to VSS	1
		0	bus not connected to VSS	
		1	bus connected to VSS	
25	AGND_I13	-	connect ana_intbus13 to VSS	1
		0	bus not connected to VSS	
		1	bus connected to VSS	
26	AGND_I14	-	connect ana_intbus14 to VSS	1
		0	bus not connected to VSS	
		1	bus connected to VSS	
27	AGND_I15	-	connect ana_intbus15 to VSS	1
		0	bus not connected to VSS	
		1	bus connected to VSS	

25. Nested Vectored Interrupt Controller

25.1 About this chapter

This chapter describes the Nested Vectored Interrupt Controller (NVIC).

The NVIC is identical on members of the NHS31xx family.

25.2 Features

- Nested Vectored Interrupt Controller that is a part of the ARM Cortex-M0+
- Tightly coupled interrupt controller provides low interrupt latency
- Controls system exceptions and peripheral interrupts
- The NVIC supports 32 vectored interrupts
- Four programmable interrupt priority levels with hardware priority level masking
- Software interrupt generation

25.3 General description

The NVIC is a part of the ARM Cortex-M0+. The processor automatically stacks its state on exception entry and unstacks this state on exception exit, with no instruction overhead. This action provides low latency exception handling.

25.3.1 Interrupt sources

[Table 286](#) lists the interrupt sources for each peripheral function. Each peripheral device may have one or more interrupt lines to the NVIC. Each line may represent more than one interrupt source. Interrupts with the same priority level are serviced in the order of their interrupt number.

See [Section 25.4](#) for a detailed NVIC register description.

Table 286. Connection of interrupt sources to the NVIC

Exception number	Function	Flags
0-12	Start logic wake-up interrupts	each interrupt connected to a PIO0 input pin serving as wake-up from Deep-sleep mode. Interrupt 0 to 10 correspond to PIO0_0 to PIO0_10; Interrupt 11 corresponds to RFID/NFC external access; Interrupt 12 corresponds to the RTC timer
13	RFID/NFC	RFID/NFC access detected / command received / read acknowledge
14	RTC timer	RTC timer event interrupt
15	I ² C	SI (state change)
16	CT16B	match 0 – 2
17	PMU	power from field detected
18	CT32B	match 0 – 1
19	BOD	Brown-Out Detect (power drop)
20	SPI/SSP	TX FIFO half empty / RX FIFO half full / RX timeout / RX overrun
21	TSENS	Temperature Sensor end of conversion / low threshold / high threshold
22	C2D	Capacitance-to-Digital end of conversion / low threshold / high threshold
23	-	(reserved)
24	I2D	current-to-digital end of conversion / low threshold / high threshold
25	ADC/DAC	ADC/DAC interrupt
26	WDT	Watchdog interrupt (WDINT)
27	Flash	Flash memory
28	EEPROM	EEPROM memory
29-30	-	(reserved)
31	PIO0	GPIO interrupt status of port 0

25.4 Register descriptions

The NVIC registers are on the ARM private Peripheral Bus (APB).

Table 287. Register overview: NVIC (base address 0xE000 E000)

Name	Access	Address offset	Description	Reset value	Reference
ISER0	RW	0x100	Interrupt Set Enable Register 0. This register allows enabling interrupts and reading back the interrupt enables for specific peripheral functions	0	Table 288
-	-	0x104	(reserved)	-	-
ICER0	RW	0x180	Interrupt Clear Enable Register 0. This register allows disabling interrupts and reading back the interrupt enables for specific peripheral functions	0	Table 289
-	-	0x184	(reserved)	-	-
ISPR0	RW	0x200	Interrupt Set Pending Register 0. This register allows changing the interrupt state to pending and reading back the interrupt pending state for specific peripheral functions	0	Table 290
-	-	0x204	(reserved)	-	-
ICPR0	RW	0x280	Interrupt Clear Pending Register 0. This register allows changing the interrupt state to not pending and reading back the interrupt pending state for specific peripheral functions	0	Table 291
-	-	0x284	(reserved)	-	-
IABR0	RO	0x300	Interrupt Active Bit Register 0. This register allows reading the current interrupt active state for specific peripheral functions	0	Table 292
-	-	0x304	(reserved)	-	-
IPR0	RW	0x400	Interrupt Priority Registers 0. This register allows assigning a priority to each interrupt. This register contains the 2-bit priority fields for interrupts 0 to 3	0	Table 293
IPR1	RW	0x404	Interrupt Priority Registers 1 This register allows assigning a priority to each interrupt. This register contains the 2-bit priority fields for interrupts 4 to 7	0	Table 294
IPR2	RW	0x408	Interrupt Priority Registers 2. This register allows assigning a priority to each interrupt. This register contains the 2-bit priority fields for interrupts 8 to 11	0	Table 295
IPR3	RW	0x40C	Interrupt Priority Registers 3. This register allows assigning a priority to each interrupt. This register contains the 2-bit priority fields for interrupts 12 to 15	0	Table 296
-	-	0x410	(reserved)	-	-
-	-	0x414	(reserved)	-	-
IPR6	RW	0x418	Interrupt Priority Registers 6. This register allows assigning a priority to each interrupt. This register contains the 2-bit priority fields for interrupts 24 to 27	0	Table 297
IPR7	RW	0x41C	Interrupt Priority Registers 7. This register allows assigning a priority to each interrupt. This register contains the 2-bit priority fields for interrupts 28 to 31	0	Table 298

25.4.1 Interrupt Set Enable Register 0 register (ISER0)

The ISER0 register enables peripheral interrupts or contains the enabled state of those interrupts. Interrupts are disabled through the ICER0 register (See [Section 25.4.2](#)).

The bit description is as follows for all bits in this register:

Write — Writing logic 0 has no effect, writing logic 1 disables the interrupt.

Read — Logic 0 indicates that the interrupt is disabled, logic 1 indicates that the interrupt is enabled.

Table 288. ISER0 register (address 0xE000 E100) bit description

Bit	Symbol	Description	Reset value
0	ICE_SPI0	interrupt disable	0
1	ICE_SPI1	interrupt disable	0
2	-	(reserved)	-
3	ICE_UART0	interrupt disable	0
4	ICE_UART1	interrupt disable	0
5	ICE_UART2	interrupt disable	0
6	-	(reserved)	-
7	-	(reserved)	-
8	ICE_I2C	interrupt disable	0
9	ICE_SCT	interrupt disable	0
10	ICE_MRT	interrupt disable	0
11	ICE_CMP	interrupt disable	0
12	ICE_WDT	interrupt disable	0
13	ICE_BOD	interrupt disable	0
14	ICE_FLASH	interrupt disable	0
15	ICE_WKT	interrupt disable	0
16-23	-	(reserved)	-
24	ICE_PININT0	interrupt disable	0
25	ICE_PININT1	interrupt disable	0
26	ICE_PININT2	interrupt disable	0
27	ICE_PININT3	interrupt disable	0
28	ICE_PININT4	interrupt disable	0
29	ICE_PININT5	interrupt disable	0
30	ICE_PININT6	interrupt disable	0
31	ICE_PININT7	interrupt disable	0

25.4.2 Interrupt clear enable register 0 (ICER0)

The ICER0 register allows disabling the peripheral interrupts, or for reading the enabled state of those interrupts. Enable interrupts through the ISE0 registers (See [Section 25.4.1](#)).

The bit description is as follows for all bits in this register:

Write — Writing logic 0 has no effect, writing logic 1 disables the interrupt.

Read — Logic 0 indicates that the interrupt is disabled, logic 1 indicates that the interrupt is enabled.

Table 289. ICER0 register (address 0xE000 E180) bit description

Bit	Symbol	Description	Reset value
0	ICE_SPI0	interrupt disable	0
1	ICE_SPI1	interrupt disable	0
2	-	(reserved)	-
3	ICE_UART0	interrupt disable	0
4	ICE_UART1	interrupt disable	0
5	ICE_UART2	interrupt disable	0
6	-	(reserved)	-
7	-	(reserved)	-
8	ICE_I2C	interrupt disable	0
9	ICE_SCT	interrupt disable	0
10	ICE_MRT	interrupt disable	0
11	ICE_CMP	interrupt disable	0
12	ICE_WDT	interrupt disable	0
13	ICE_BOD	interrupt disable	0
14	ICE_FLASH	interrupt disable	0
15	ICE_WKT	interrupt disable	0
16-23	-	(reserved)	-
24	ICE_PININT0	interrupt disable	0
25	ICE_PININT1	interrupt disable	0
26	ICE_PININT2	interrupt disable	0
27	ICE_PININT3	interrupt disable	0
28	ICE_PININT4	interrupt disable	0
29	ICE_PININT5	interrupt disable	0
30	ICE_PININT6	interrupt disable	0
31	ICE_PININT7	interrupt disable	0

25.4.3 Interrupt Set Pending Register 0 register (ISPR0)

The ISPR0 register allows setting the pending state of the peripheral interrupts, or for reading the pending state of those interrupts. Clear the pending state of interrupts through the ICPR0 registers (See [Table 291](#)).

The bit description is as follows for all bits in this register:

Write — Writing logic 0 has no effect, writing logic 1 changes the interrupt state to pending.

Read — Logic 0 indicates that the interrupt is not pending, logic 1 indicates that the interrupt is pending.

Table 290. ISPR0 register (address 0xE000 E200) bit description

Bit	Symbol	Description	Reset value
0	ICE_SPI0	interrupt pending set	0
1	ICE_SPI1	interrupt pending set	0
2	-	(reserved)	-
3	ICE_UART0	interrupt pending set	0
4	ICE_UART1	interrupt pending set	0
5	ICE_UART2	interrupt pending set	0
6	-	(reserved)	-
7	-	(reserved)	-
8	ICE_I2C	interrupt pending set	0
9	ICE_SCT	interrupt pending set	0
10	ICE_MRT	interrupt pending set	0
11	ICE_CMP	interrupt pending set	0
12	ICE_WDT	interrupt pending set	0
13	ICE_BOD	interrupt pending set	0
14	ICE_FLASH	interrupt pending set	0
15	ICE_WKT	interrupt pending set	0
16-23	-	(reserved)	-
24	ICE_PININT0	interrupt pending set	0
25	ICE_PININT1	interrupt pending set	0
26	ICE_PININT2	interrupt pending set	0
27	ICE_PININT3	interrupt pending set	0
28	ICE_PININT4	interrupt pending set	0
29	ICE_PININT5	interrupt pending set	0
30	ICE_PININT6	interrupt pending set	0
31	ICE_PININT7	interrupt pending set	0

25.4.4 Interrupt Clear Pending Register 0 register (ICPR0)

The ICPR0 register allows clearing the pending state of the peripheral interrupts, or for reading the pending state of those interrupts. Set the pending state of interrupts through the ISPR0 register (See [Table 290](#)).

The bit description is as follows for all bits in this register:

Write — Writing logic 0 has no effect, writing logic 1 changes the interrupt state to not pending.

Read — Logic 0 indicates that the interrupt is not pending, logic 1 indicates that the interrupt is pending.

Table 291. ICPR0 register (address 0xE000 E280) bit description

Bit	Symbol	Description	Reset value
0	ICE_SPI0	interrupt pending clear	0
1	ICE_SPI1	interrupt pending clear	0
2	-	(reserved)	-
3	ICE_UART0	interrupt pending clear	0
4	ICE_UART1	interrupt pending clear	0
5	ICE_UART2	interrupt pending clear	0
6	-	(reserved)	-
7	-	(reserved)	-
8	ICE_I2C	interrupt pending clear	0
9	ICE_SCT	interrupt pending clear	0
10	ICE_MRT	interrupt pending clear	0
11	ICE_CMP	interrupt pending clear	0
12	ICE_WDT	interrupt pending clear	0
13	ICE_BOD	interrupt pending clear	0
14	ICE_FLASH	interrupt pending clear	0
15	ICE_WKT	interrupt pending clear	0
16-23	-	(reserved)	-
24	ICE_PININT0	interrupt pending clear	0
25	ICE_PININT1	interrupt pending clear	0
26	ICE_PININT2	interrupt pending clear	0
27	ICE_PININT3	interrupt pending clear	0
28	ICE_PININT4	interrupt pending clear	0
29	ICE_PININT5	interrupt pending clear	0
30	ICE_PININT6	interrupt pending clear	0
31	ICE_PININT7	interrupt pending clear	0

25.4.5 Interrupt Active Bit Register 0 (IABR0)

The IABR0 register is a read-only register that allows reading the active state of the peripheral interrupts. To determine which peripherals are asserting an interrupt to the NVIC, and may also be pending if there are enabled, use this register

The bit description is as follows for all bits in this register:

Write — n/a.

Read — Logic 0 indicates that the interrupt is not active, logic 1 indicates that the interrupt is active.

Table 292. IABR0 register (address 0xE000 E300) bit description

Bit	Symbol	Description	Reset value
0	ICE_SPI0	interrupt active	0
1	ICE_SPI1	interrupt active	0
2	-	(reserved)	-
3	ICE_UART0	interrupt active	0
4	ICE_UART1	interrupt active	0
5	ICE_UART2	interrupt active	0
6	-	(reserved)	-
7	-	(reserved)	-
8	ICE_I2C	interrupt active	0
9	ICE_SCT	interrupt active	0
10	ICE_MRT	interrupt active	0
11	ICE_CMP	interrupt active	0
12	ICE_WDT	interrupt active	0
13	ICE_BOD	interrupt active	0
14	ICE_FLASH	interrupt active	0
15	ICE_WKT	interrupt active	0
16-23	-	(reserved)	-
24	ICE_PININT0	interrupt active	0
25	ICE_PININT1	interrupt active	0
26	ICE_PININT2	interrupt active	0
27	ICE_PININT3	interrupt active	0
28	ICE_PININT4	interrupt active	0
29	ICE_PININT5	interrupt active	0
30	ICE_PININT6	interrupt active	0
31	ICE_PININT7	interrupt active	0

25.4.6 Interrupt Priority Register 0 (IPR0)

The IPR0 register controls the priority of four peripheral interrupts. Each interrupt can have one of 4 priorities, where 0 is the highest priority.

Table 293. IPR0 register (address 0xE000 E400) bit description

Bit	Symbol	Description
0:5	-	these bits ignore writes, and read as logic 0
6:7	IP_SPI0	Interrupt Priority. 0 = highest priority. 3 = lowest priority
8:13	-	these bits ignore writes, and read as logic 0
14:15	IP_SPI1	Interrupt Priority. 0 = highest priority. 3 = lowest priority
16:21	-	these bits ignore writes, and read as logic 0
22:23	-	(reserved)
24:29	-	these bits ignore writes, and read as logic 0
30:31	IP_UART0	Interrupt Priority. 0 = highest priority. 3 = lowest priority

25.4.7 Interrupt Priority Register 1 (IPR1)

The IPR1 register controls the priority of four peripheral interrupts. Each interrupt can have one of 4 priorities, where 0 is the highest priority.

Table 294. IPR1 register (address 0xE000 E404) bit description

Bit	Symbol	Description
0:5	-	these bits ignore writes, and read as logic 0
6:7	IP_UART1	Interrupt Priority. 0 = highest priority. 3 = lowest priority
8:13	-	these bits ignore writes, and read as logic 0
14:15	IP_UART2	Interrupt Priority. 0 = highest priority. 3 = lowest priority
16:21	-	these bits ignore writes, and read as logic 0
22:23	-	(reserved)
24:29	-	these bits ignore writes, and read as logic 0
30:31	-	(reserved)

25.4.8 Interrupt Priority Register 2 (IPR2)

The IPR2 register controls the priority of four peripheral interrupts. Each interrupt can have one of 4 priorities, where 0 is the highest priority.

Table 295. IPR2 register (address 0xE000 E408) bit description

Bit	Symbol	Description
0:5	-	these bits ignore writes, and read as logic 0
6:7	IP_I2C	Interrupt Priority. 0 = highest priority. 3 = lowest priority
8:13	-	these bits ignore writes, and read as logic 0
14:15	IP_SCT	Interrupt Priority. 0 = highest priority. 3 = lowest priority
16:21	-	these bits ignore writes, and read as logic 0
22:23	IP_MRT	Interrupt Priority. 0 = highest priority. 3 = lowest priority
24:29	-	these bits ignore writes, and read as logic 0
30:31	IP_CMP	Interrupt Priority. 0 = highest priority. 3 = lowest priority

25.4.9 Interrupt Priority Register 3 (IPR3)

The IPR3 register controls the priority of four peripheral interrupts. Each interrupt can have one of 4 priorities, where 0 is the highest priority.

Table 296. IPR3 register (address 0xE000 E40C) bit description

Bit	Symbol	Description
0:5	-	these bits ignore writes, and read as logic 0
6:7	IP_WDT	Interrupt Priority. 0 = highest priority. 3 = lowest priority
8:13	-	these bits ignore writes, and read as logic 0
14:15	IP_BOD	Interrupt Priority. 0 = highest priority. 3 = lowest priority
16:21	-	these bits ignore writes, and read as logic 0
22:23	IP_FLASH	Interrupt Priority. 0 = highest priority. 3 = lowest priority
24:29	-	these bits ignore writes, and read as logic 0
30:31	IP_WKT	Interrupt Priority. 0 = highest priority. 3 = lowest priority

25.4.10 Interrupt Priority Register 6 (IPR6)

The IPR6 register controls the priority of four peripheral interrupts. Each interrupt can have one of 4 priorities, where 0 is the highest priority.

Table 297. IPR6 register (address 0xE000 E418) bit description

Bit	Symbol	Description
0:5	-	these bits ignore writes, and read as logic 0
6:7	IP_PININT0	Interrupt Priority. 0 = highest priority. 3 = lowest priority
8:13	-	these bits ignore writes, and read as logic 0
14:15	IP_PININT1	Interrupt Priority. 0 = highest priority. 3 = lowest priority
16:21	-	these bits ignore writes, and read as logic 0
22:23	IP_PININT2	Interrupt Priority. 0 = highest priority. 3 = lowest priority
24:29	-	these bits ignore writes, and read as logic 0
30:31	IP_PININT3	Interrupt Priority. 0 = highest priority. 3 = lowest priority

25.4.11 Interrupt Priority Register 7 (IPR7)

The IPR7 register controls the priority of four peripheral interrupts. Each interrupt can have one of 4 priorities, where 0 is the highest priority.

Table 298. IPR7 register (address 0xE000 E41C) bit description

Bit	Symbol	Description
0:5	-	these bits ignore writes, and read as logic 0
6:7	IP_PININT4	Interrupt Priority. 0 = highest priority. 3 = lowest priority
8:13	-	these bits ignore writes, and read as logic 0
14:15	IP_PININT5	Interrupt Priority. 0 = highest priority. 3 = lowest priority
16:21	-	these bits ignore writes, and read as logic 0
22:23	IP_PININT6	Interrupt Priority. 0 = highest priority. 3 = lowest priority
24:29	-	these bits ignore writes, and read as logic 0
30:31	IP_PININT7	Interrupt Priority. 0 = highest priority. 3 = lowest priority

26. Abbreviations

Table 299. Abbreviations

Acronym	Description
ADC	Analog-to-Digital Converter
AHB	Advanced High-performance Bus
AMBA	Advanced Microcontroller Bus Architecture
APB	Advanced Peripheral Bus
API	Application Programming Interface
ARM	Acorn RISC Machine
CGU	Clock Generator Unit
DAC	Digital-to-Analog Converter
EEPROM	Electrically Erasable Programmable Read-Only Memory
FIFO	First In First Out
I ² C	Inter-Integrated Circuit – Serial Interface
JTAG	Joint Test Action Group
LDO	Low Drop Out regulator
NDEF	NFC Data Exchange Format
NFC	Near Field Communication
NVMC	Non-Volatile Memory Controller
PMU	Power Management Unit
RISC	Reduced Instruction Set Computer
RTC	Real-Time Clock
SPI	Serial Peripheral Interface
SWD	Serial Wire Debug
SSI	Synchronous Serial Interface

27. References

- [1] **AN11340** — MIFARE Ultralight and MIFARE Ultralight EV1 features and hints
- [2] **MF0ULx1** — MF0ULx1 MIFARE Ultralight EV1 - Contactless ticket IC
- [3] **DUI0662B_cortex_m0p_r0p1_dgug** — Cortex-M0+ Devices - Generic User Guide
- [4] **DDI0484C_cortex_m0p_r0p1_trm** — Cortex-M0+ Devices - Technical Reference Manual
- [5] **AN11657** — NHS3 Temperature sensor calibration
- [6] **ISO/IEEE 11073-10472** — Health informatics -- Point-of-care medical device communication -- Device specialization -- Medication monitor

28. Legal information

28.1 Definitions

Draft — The document is a draft version only. The content is still under internal review and subject to formal approval, which may result in modifications or additions. NXP Semiconductors does not give any representations or warranties as to the accuracy or completeness of information included herein and shall have no liability for the consequences of use of such information.

28.2 Disclaimers

Limited warranty and liability — Information in this document is believed to be accurate and reliable. However, NXP Semiconductors does not give any representations or warranties, expressed or implied, as to the accuracy or completeness of such information and shall have no liability for the consequences of use of such information. NXP Semiconductors takes no responsibility for the content in this document if provided by an information source outside of NXP Semiconductors.

In no event shall NXP Semiconductors be liable for any indirect, incidental, punitive, special or consequential damages (including - without limitation - lost profits, lost savings, business interruption, costs related to the removal or replacement of any products or rework charges) whether or not such damages are based on tort (including negligence), warranty, breach of contract or any other legal theory.

Notwithstanding any damages that customer might incur for any reason whatsoever, NXP Semiconductors' aggregate and cumulative liability towards customer for the products described herein shall be limited in accordance with the *Terms and conditions of commercial sale* of NXP Semiconductors.

Right to make changes — NXP Semiconductors reserves the right to make changes to information published in this document, including without limitation specifications and product descriptions, at any time and without notice. This document supersedes and replaces all information supplied prior to the publication hereof.

Suitability for use — NXP Semiconductors products are not designed, authorized or warranted to be suitable for use in life support, life-critical or safety-critical systems or equipment, nor in applications where failure or malfunction of an NXP Semiconductors product can reasonably be expected to result in personal injury, death or severe property or environmental damage. NXP Semiconductors and its suppliers accept no liability for inclusion and/or use of NXP Semiconductors products in such equipment or applications and therefore such inclusion and/or use is at the customer's own risk.

Applications — Applications that are described herein for any of these products are for illustrative purposes only. NXP Semiconductors makes no representation or warranty that such applications will be suitable for the specified use without further testing or modification.

Customers are responsible for the design and operation of their applications and products using NXP Semiconductors products, and NXP Semiconductors accepts no liability for any assistance with applications or customer product design. It is customer's sole responsibility to determine whether the NXP Semiconductors product is suitable and fit for the customer's applications and products planned, as well as for the planned application and use of customer's third party customer(s). Customers should provide appropriate design and operating safeguards to minimize the risks associated with their applications and products.

NXP Semiconductors does not accept any liability related to any default, damage, costs or problem which is based on any weakness or default in the customer's applications or products, or the application or use by customer's third party customer(s). Customer is responsible for doing all necessary testing for the customer's applications and products using NXP Semiconductors products in order to avoid a default of the applications and the products or of the application or use by customer's third party customer(s). NXP does not accept any liability in this respect.

Limiting values — Stress above one or more limiting values (as defined in the Absolute Maximum Ratings System of IEC 60134) will cause permanent damage to the device. Limiting values are stress ratings only and (proper) operation of the device at these or any other conditions above those given in the Recommended operating conditions section (if present) or the Characteristics sections of this document is not warranted. Constant or repeated exposure to limiting values will permanently and irreversibly affect the quality and reliability of the device.

Terms and conditions of commercial sale — NXP Semiconductors products are sold subject to the general terms and conditions of commercial sale, as published at <http://www.nxp.com/profile/terms>, unless otherwise agreed in a valid written individual agreement. In case an individual agreement is concluded only the terms and conditions of the respective agreement shall apply. NXP Semiconductors hereby expressly objects to applying the customer's general terms and conditions with regard to the purchase of NXP Semiconductors products by customer.

No offer to sell or license — Nothing in this document may be interpreted or construed as an offer to sell products that is open for acceptance or the grant, conveyance or implication of any license under any copyrights, patents or other industrial or intellectual property rights.

Export control — This document as well as the item(s) described herein may be subject to export control regulations. Export might require a prior authorization from competent authorities.

Evaluation products — This product is provided on an "as is" and "with all faults" basis for evaluation purposes only. NXP Semiconductors, its affiliates and their suppliers expressly disclaim all warranties, whether express, implied or statutory, including but not limited to the implied warranties of non-infringement, merchantability and fitness for a particular purpose. The entire risk as to the quality, or arising out of the use or performance, of this product remains with customer.

In no event shall NXP Semiconductors, its affiliates or their suppliers be liable to customer for any special, indirect, consequential, punitive or incidental damages (including without limitation damages for loss of business, business interruption, loss of use, loss of data or information, and the like) arising out of the use of or inability to use the product, whether or not based on tort (including negligence), strict liability, breach of contract, breach of warranty or any other theory, even if advised of the possibility of such damages.

Notwithstanding any damages that customer might incur for any reason whatsoever (including without limitation, all damages referenced above and all direct or general damages), the entire liability of NXP Semiconductors, its affiliates and their suppliers and customer's exclusive remedy for all of the foregoing shall be limited to actual damages incurred by customer based on reasonable reliance up to the greater of the amount actually paid by customer for the product or five dollars (US\$5.00). The foregoing limitations, exclusions and disclaimers shall apply to the maximum extent permitted by applicable law, even if any remedy fails of its essential purpose.

Translations — A non-English (translated) version of a document is for reference only. The English version shall prevail in case of any discrepancy between the translated and English versions.

28.3 Licenses

Purchase of NXP ICs with NFC technology

Purchase of an NXP Semiconductors IC that complies with one of the Near Field Communication (NFC) standards ISO/IEC 18092 and ISO/IEC 21481 does not convey an implied license under any patent right infringed by implementation of any of those standards. Purchase of NXP Semiconductors IC does not include a license to any NXP patent (or other IP right) covering combinations of those products with other products, whether hardware or software.

28.4 Trademarks

Notice: All referenced brands, product names, service names and trademarks are the property of their respective owners.

I²C-bus — logo is a trademark of NXP B.V.

MIFARE — is a trademark of NXP B.V.

29. Tables

Table 1.	Feature overview	5	Table 28.	Device IDs	30
Table 2.	Ordering Information.	5	Table 29.	IC power states	37
Table 3.	Pad allocation table of the HVQFN24 package	12	Table 30.	State transition events for DEEPSLEEP to ACTIVE	38
Table 4.	Pad description of the HVQFN24 package	13	Table 31.	State transition events for DEEP POWER-DOWN to ACTIVE	38
Table 5.	Ball allocation table of the WLCSP25 package	15	Table 32.	Register overview: PMU (base address 0x4003 8000)	39
Table 6.	Ball description of WLCSP25 package	16	Table 33.	PCON register (address 0x4003 8000) bit description	39
Table 7.	Register overview system configuration control block - SYSCON (base address 0x4004 8000)	20	Table 34.	GPREG0 - GPREG3 registers (address 0x4003 8004 to 0x4003 8014) bit description	41
Table 8.	SYSEMEMREMAP register (address 0x4004 8000) bit description	21	Table 35.	PSTAT register (address 0x4003 8018) bit description	41
Table 9.	PRESETCTRL register (address 0x4004 8004) bit description	21	Table 36.	ACCSTAT register (address 0x4003 8020) bit description	42
Table 10.	SYSCLOCKCTRL register (address 0x4004 8020) bit description	22	Table 37.	TMRCLKCTRL register (address 0x4003 802C) bit description	42
Table 11.	Impact of different clock frequency settings	22	Table 38.	IMSC register (address 0x4003 8030) bit description	43
Table 12.	SYSCLOCKUEN register (address 0x4004 8024) bit description	23	Table 39.	RIS register (address 0x4003 8034) bit description	43
Table 13.	SYSRSTSTAT register (address 0x4004 8030) bit description	23	Table 40.	MIS register (address 0x4003 8038) bit description	43
Table 14.	SYSAHBCLKCTRL register (address 0x4004 8080) bit description	24	Table 41.	ICR register (address 0x4003 803C) bit description	44
Table 15.	SSPCLKDIV register (address 0x4004 8094) bit description	25	Table 42.	IAP command list	46
Table 16.	WDTCLKSEL register (address 0x4004 80D0) bit description	26	Table 43.	IAP Read factory settings command	47
Table 17.	WDTCLKUEN register (address 0x4004 80D4) bit description	26	Table 44.	Supported registers for factory setting read	47
Table 18.	WDTCLKDIV register (address 0x4004 80D8) bit description	26	Table 45.	IAP Prepare sectors for write operation command	48
Table 19.	CLKOUTEN register (address 0x4004 80E8) bit description	27	Table 46.	IAP Copy data to flash command	48
Table 20.	SYSTCKCAL register (address 0x4004 8154) bit description	27	Table 47.	IAP Erase sector command	49
Table 21.	STARTAPRP0 register (address 0x4004 8200) bit description	27	Table 48.	IAP Blank check sector command	49
Table 22.	STARTERP0 register (address 0x4004 8204) bit description	28	Table 49.	IAP Read part identification command	49
Table 23.	STARTSRP0CLR register (address 0x4004 8208) bit description	28	Table 50.	IAP Read boot code version number command	50
Table 24.	STARTSRP0 register (address 0x4004 820C) bit description	29	Table 51.	IAP Compare command	50
Table 25.	PDAWAKECFG register (address 0x4004 8234) bit description	29	Table 52.	IAP Read Unique Identification number command	50
Table 26.	PDRUNCFG register (address 0x4004 8238) bit description	30	Table 53.	IAP Erase page command	51
Table 27.	DEVICE_ID register (address 0x4004 83F4) bit description	30	Table 54.	IAP Status Codes	51
			Table 55.	Conversion time for different resolution of TSENS	52
			Table 56.	Register overview for temperature sensor (base address 0x4006 0000)	53
			Table 57.	CR register (address 0x4006 0000) bit description	53

continued >>

Table 58. DR register (address 0x4006 0004) bit description	53	description	63
Table 59. SR register (address 0x4006 0008) bit description	53	Table 84. MIS register (address 0x4006 8030) bit description	63
Table 60. SP0 register (address 0x4006 000C) bit description	54	Table 85. ICR register (address 0x4006 4034) bit description	63
Table 61. SP1 register (address 0x4006 0010) bit description	54	Table 86. Connections to the analog input multiplexers	66
Table 62. SP2 register (address 0x4006 0014) bit description	54	Table 87. Register overview: Capacitance-to-Digital converter (base address 0x4006 4000)	67
Table 63. SP3 register (address 0x4006 0018) bit description	55	Table 88. CR register (address 0x4006 4000) bit description	67
Table 64. TLO register (address 0x4006 001C) bit description	55	Table 89. DR register (address 0x4006 4004) bit description	68
Table 65. THI register (address 0x4006 0020) bit description	55	Table 90. SR register (address 0x4006 4008) bit description	68
Table 66. IMSC register (address 0x4006 0024) bit description	55	Table 91. SP0 register (address 0x4006 400C) bit description	68
Table 67. RIS register (address 0x4006 0028) bit description	56	Table 92. SP1 register (address 0x4006 4010) bit description	68
Table 68. MIS register (address 0x4006 002C) bit description	56	Table 93. SP2 register (address 0x4006 4014) bit description	69
Table 69. ICR register (address 0x4006 0030) bit description	56	Table 94. MUXA register (address 0x4006 4018) bit description	69
Table 70. Connections to the Current-to-Digital analog input multiplexer	58	Table 95. MUXB register (address 0x4006 401C) bit description	69
Table 71. Register overview: Current-to-Digital converter (base address 0x4006 8000)	59	Table 96. C2DTLO register (address 0x4006 4020) bit description	69
Table 72. CR register (address 0x4006 8000) bit description	59	Table 97. THI register (address 0x4006 4024) bit description	70
Table 73. DR register (address 0x4006 8004) bit description	60	Table 98. IMSC register (address 0x4006 4028) bit description	70
Table 74. SR register (address 0x4006 8008) bit description	60	Table 99. RIS register (address 0x4006 402C) bit description	70
Table 75. SP0 register (address 0x4006 800C) bit description	60	Table 100. MIS register (address 0x4006 4030) bit description	71
Table 76. SP1 register (address 0x4006 8010) bit description	61	Table 101. ICR register (address 0x4006 4034) bit description	71
Table 77. SP2 register (address 0x4006 8014) bit description	61	Table 102. Connections to ADC input and output multiplexers	73
Table 78. SP3 register (address 0x4006 8018) bit description	61	Table 103. Register overview: Analog-to-Digital / Digital-to-Analog converter (base address 0x4001 C000)	74
Table 79. MUX register (address 0x4006 801C) bit description	62	Table 104. CR register (address 0x4001 C000) bit description	74
Table 80. TLO register (address 0x4006 4020) bit description	62	Table 105. ADCDR register (address 0x4001 C004) bit description	74
Table 81. THI register (address 0x4006 4024) bit description	62	Table 106. DACDR register (address 0x4001 C008) bit description	75
Table 82. IMSC register (address 0x4006 8028) bit description	62	Table 107. SR register (address 0x4001 C00C) bit description	75
Table 83. RIS register (address 0x4006 802C) bit description	62	Table 108. ADCSP register (address 0x4001 C010) bit description	75

continued >>

Table 109. ADCMUX register (address 0x4001 C018) bit description	76	4010) bit description.	90
Table 110. DACMUX register (address 0x4001 C01C) bit description	76	Table 135. IMSC register (address 0x4005 4014) bit description	90
Table 111. ADCTLO register (address 0x4001 C020) bit description	76	Table 136. RIS register (address 0x4005 4018) bit description	90
Table 112. ADC0THI register (address 0x4001 C024) bit description	76	Table 137. MIS register (address 0x4005 401C) bit description	91
Table 113. IMSC register (address 0x4001 C028) bit description	77	Table 138. ICR register (address 0x4005 4020) bit description	91
Table 114. RIS register (address 0x4001 C02C) bit description	77	Table 139. ACCSTAT register (address 0x4005 4024) bit description	92
Table 115. MIS register (address 0x4001 C030) bit description	77	Table 140. TIME register (address 0x4005 4030) bit description	92
Table 116. ADC0ICR register (address 0x4001 C034) bit description	78	Table 141. Register overview: Watchdog timer block (base address 0x4000 4000)	94
Table 117. RFID/NFC communication block register and buffer memory space overview: APB side	82	Table 142. WDMOD register (address 0x4000 4000) bit description	95
Table 118. RFID/NFC communication block special registers and buffer memory space overview: RFID side 82		Table 143. Watchdog Operating mode selection	95
Table 119. CFG register (address 0x4005 8000) bit description	83	Table 144. WDTC register (address 0x4000 4004) bit description	96
Table 120. SR register (APB address 0x4005 8004, RF address 0x84) bit description	83	Table 145. WDFEED register (address 0x4000 4008) bit description	96
Table 121. CMDIN register (APB address 0x4005 800C, RF address 0x85) bit description	84	Table 146. WDTV register (address 0x4000 400C) bit description	96
Table 122. CMDOUT register (APB address 0x4005 8010, RF address 0x86) bit description	84	Table 147. Register overview: SYSTICK timer (base address 0xE000 E000)	98
Table 123. TARGET register (address 0x4005 8010) bit description	85	Table 148. CSR register (address 0xE000 E010) bit description	99
Table 124. LAST_ACCESS register (address 0x4005 8014) bit description	85	Table 149. RVR register (address 0xE000 E014) bit description	99
Table 125. IMSC register (address 0x4005 8014) bit description	85	Table 150. CVR register (address 0xE000 E018) bit description	100
Table 126. RIS register (address 0x4005 801C) bit description	85	Table 151. CALIB register (address 0xE000 E01C) bit description	100
Table 127. RIS register (address 0x4005 801C) bit description	86	Table 152. Counter/timer pin description	103
Table 128. ICR register (address 0x4005 8024) bit description	86	Table 153. Register overview: 16-bit timer 0 CT16B0 (base address 0x4000 C000).	106
Table 129. Register overview: RTC timer (base address 0x4005 4000)	88	Table 154. IR register (address 0x4000 C000) bit description	107
Table 130. RTC Timer control register (address 0x4005 4000) bit description	89	Table 155. TCR register (address 0x4000 C004) bit description	107
Table 131. RTC Timer status register (address 0x4005 4004) bit description	89	Table 156. TC register (address 0x4000 C008) bit description	107
Table 132. RTC timer calibration register (address 0x4005 4008) bit description	90	Table 157. PR register (address 0x4000 C00C) bit description	107
Table 133. RTC timer sleep time register (address 0x4005 400C) bit description.	90	Table 158. PC register (address 0x4001 C010) bit description	108
Table 134. RTC timer current value register (address 0x4005 4010) bit description.	90	Table 159. MCR register (address 0x4000 C014) bit description	108
		Table 160. MR0/1/2/3 registers (addresses 0x4000 C018 to 24) bit description.	109

continued >>

Table 161. EEMR register (address 0x4000 C03C) bit description	110	Table 187. ECCERRCNT register (address 0x4003 403C) bit description	127
Table 162. PWMC register (address 0x4000 C074) bit description	111	Table 188. INT_CLR_ENABLE register (address 0x4003 4FD8) bit description	127
Table 163. Counter/timer pin description	113	Table 189. INT_SET_ENABLE register (address 0x4003 4FDC) bit description	127
Table 164. Register overview: 32-bit counter/timer 0 CT32B (base address 0x4000 4000)	116	Table 190. INT_CLR_STATUS register (address 0x4003 4FE8) bit description	127
Table 165. IR register (address 0x4000 4000) bit description	117	Table 191. INT_ENABLE register (address 0x4003 4FE0) bit description	127
Table 166. TCR register (address 0x4000 4004) bit description	117	Table 192. INT_STATUS register (address 0x4003 4FE4) bit description	127
Table 167. TC register (address 0x4000 4008) bit description	117	Table 193. MODULE_ID register (address 0x4003 4FFC) bit description	128
Table 168. PR register (address 0x4000 400C) bit description	117	Table 194. Feedback bits for MISR computation	133
Table 169. PC register (address 0x4001 4010) bit description	118	Table 195. Register overview: Flash memory controller (base address 0x4004 C000).	134
Table 170. MCR register (address 0x4000 4014) bit description	118	Table 196. FCTR register (address 0x4003 C000) bit description	134
Table 171. MR0/1/2/3 registers (addresses 0x4000 4018 to 24) bit description	119	Table 197. FSTAT register (address 0x4003 C010) bit description	135
Table 172. EMR register (address 0x4000 403C) bit description	120	Table 198. FBWST register (address 0x4003 C010) bit description	136
Table 173. PWMC register (address 0x4000 4074) bit description	121	Table 199. WST values for different Flash operating modes (FCTR settings) and system clock speed . . .	136
Table 174. Register overview: EEPROM memory controller (base address 0x4003 4000)	123	Table 200. FPTR register (address 0x4003 C008) bit description	136
Table 175. RWSTATE register (address 0x4003 4008) bit description	124	Table 201. FCRA register (address 0x4003 C01C) bit description	136
Table 176. WSTATE register (address 0x4003 4010) bit description	124	Table 202. FMSSTART register (address 0x4003 C020) bit description	137
Table 177. PAUTOPROG register (address 0x4003 400C) bit description	124	Table 203. FMSSTOP register (address 0x4003 C024) bit description	137
Table 178. CLKDIV register (address 0x4003 4014) bit description	125	Table 204. FMS16 register (address 0x4003 C028) bit description	137
Table 179. CLKDIV1 register (address 0x4003 4054) bit description	125	Table 205. FMSW0 register (address 0x4003 C02C) bit description	137
Table 180. CLKDIV2 register (address 0x4003 4058) bit description	125	Table 206. ECCRSTERRCNT register (address 0x4003 C050) bit description	137
Table 181. PWRDWN register (address 0x4003 4020) bit description	125	Table 207. ECCERRCNT register (address 0x4003 C054) bit description	137
Table 182. MSSTART register (address 0x4003 4020) bit description	126	Table 208. INT_CLR_ENABLE register (address 0x4003 CFD8) bit description	138
Table 183. MSSTOP register (address 0x4003 4024) bit description	126	Table 209. INT_SET_ENABLE register (address 0x4003 CFDC) bit description	138
Table 184. MSDATASIG register (address 0x4003 4028) bit description	126	Table 210. INT_CLR_STATUS register (address 0x4003 CFE8) bit description	138
Table 185. . . . MSPARSIG register (address 0x4003 402C) bit description	126	Table 211. INT_SET_STATUS register (address 0x4003 CFEC) bit description	138
Table 186. STATUS register (address 0x4003 4034) bit description	126	Table 212. . INT_ENABLE register (address 0x4003 CFE0) bit description	138

continued >>

Table 213. . . INT_STATUS register (address 0x4003 CFE4) bit description	138	description	185
Table 214. MODULE_ID register (address 0x4003 CFFC) bit description	139	Table 244. DR register 0 (address 0x4004 0008) bit description	185
Table 215. I ² C-bus pin description.	141	Table 245. SR register (address 0x4004 000C) bit description	186
Table 216. Register overview of the I ² C-bus controller (base 0x4000 000)	142	Table 246. CPSR register (address 0x4004 0010) bit description	186
Table 217. CONSET register (address 0x4000 0000) bit description	143	Table 247. IMSC register (address 0x4004 0014) bit description	186
Table 218. STAT register (address 0x4000 0004) bit description	145	Table 248. RIS register (address 0x4004 0018) bit description	187
Table 219. DAT register (address 0x4000 0008) bit description	145	Table 249. MIS register (address 0x4004 001C) bit description	187
Table 220. ADR0 register (address 0x4000 000C) bit description	145	Table 250. ICR register (address 0x4004 0020) bit description	187
Table 221. SCLH register (address 0x4000 0010) bit description	145	Table 251. Register overview: General Purpose I/O (base address 0x5000 0000)	188
Table 222. SCLL register (address 0x4000 0014) bit description	146	Table 252. GPIODATA register (address 0x5000 0000 to 0x5000 3FFC) bit description.	189
Table 223. SCLL + SCLH values for selected I ² C-bus clock rates	146	Table 253. DIR register (address 0x5000 8000) bit description	189
Table 224. CONCLR register (address 0x4000 0018) bit description	146	Table 254. IS register (address 0x5000 8004) bit description	190
Table 225. MMCTRL register (address 0x4000 001C) bit description	147	Table 255. IBE register (address 0x5000 8008) bit description	190
Table 226. ADR1/2/3 registers (addresses 0x4000 0020,0024,0028) bit description	148	Table 256. IEV register (address 0x5000 800C) bit description	190
Table 227. DATA_BUFFER register (address 0x4000 002C) bit description	149	Table 257. IMSC register (address 0x5000 8010) bit description	190
Table 228. MASK0/1/2/3 register (addresses 0x4000 0030,0034,0038,003C) bit description	149	Table 258. RIS register (address 0x5000 8014) bit description	191
Table 229. CONSET used to configure Master mode	150	Table 259. MIS register (address 0x5000 8018) bit description	191
Table 230. CONSET used to configure Slave mode	151	Table 260. IC register (address 0x5000 801C) bit description	191
Table 231. Abbreviations used to describe an I ² C-bus operation	157	Table 261. Pad direction and MFIO settings.	193
Table 232. CONSET used to initialize Master transmitter mode.	157	Table 262. LPF bit and MFIO pad output selection.	194
Table 233. Master transmitter mode	158	Table 263. Pad output behavior	194
Table 234. Master receive mode	161	Table 264. DDRIVE bit settings	195
Table 235. ADR usage in Slave receiver mode.	162	Table 265. Pad mode as function of CDRIVE.	195
Table 236. CONSET used to initialize Slave transmitter mode.	163	Table 266. Register overview: I/O configuration (base address 0x4004 4000)	196
Table 237. Slave receiver mode	163	Table 267. PIO0_0 register (address 0x4004 4000) bit description	197
Table 238. Slave transmitter mode	167	Table 268. PIO0_1 register (address 0x4004 4004) bit description	197
Table 239. Miscellaneous States	169	Table 269. PIO0_2 register (address 0x4004 4008) bit description	198
Table 240. SPI pin description.	175	Table 270. PIO0_3 register (address 0x4004 400C) bit description	198
Table 241. Register overview: Serial Peripheral Interface (base address 0x4004 0000)	183	Table 271. PIO0_4 register (address 0x4004 4010) bit description	198
Table 242. CR0 register (address 0x4004 0000) bit description	184		
Table 243. CR1 register (address 0x4004 0004) bit description	185		

continued >>

description199

Table 272. PIO0_5 register (address 0x4004 4014) bit description199

Table 273. PIO0_6 register (address 0x4004 4018) bit description200

Table 274. PIO0_7 register (address 0x4004 401C) bit description200

Table 275. PIO0_8 register (address 0x4004 4020) bit description201

Table 276. PIO0_9 register (address 0x4004 4024) bit description201

Table 277. PIO0_10 register (address 0x4004 4028) bit description202

Table 278. PIO0_11 register (address 0x4004 402C) bit description203

Table 279. ANA0_0 register (address 0x4004 4030) bit description203

Table 280. ANA0_1 register (address 0x4004 4034) bit description204

Table 281. ANA0_2 register (address 0x4004 4038) bit description204

Table 282. ANA0_3 register (address 0x4004 403C) bit description204

Table 283. ANA0_4 register (address 0x4004 4040) bit description204

Table 284. ANA0_5 register (address 0x4004 4044) bit description205

Table 285. ANABUSGROUND register (address 0x4004 408) bit description205

Table 286. Connection of interrupt sources to the NVIC .209

Table 287. Register overview: NVIC (base address 0xE00 E00)210

Table 288. ISER0 register (address 0xE00 E100) bit description211

Table 289. ICER0 register (address 0xE00 E180) bit description212

Table 290. ISPR0 register (address 0xE00 E200) bit description213

Table 291. ICPR0 register (address 0xE00 E280) bit description214

Table 292. IABR0 register (address 0xE00 E300) bit description215

Table 293. IPR0 register (address 0xE00 E400) bit description216

Table 294. IPR1 register (address 0xE00 E404) bit description216

Table 295. IPR2 register (address 0xE00 E408) bit description216

Table 296. IPR3 register (address 0xE00 E40C) bit description217

Table 297. IPR6 register (address 0xE00 E418) bit description217

Table 298. IPR7 register (address 0xE00 E41C) bit description217

Table 299. Abbreviations218

30. Figures

Fig 1.	NHS3100 block diagram	6	Fig 44.	Texas Instruments synchronous Serial Frame Format: Single frame transfer (top), back-to-back two frames transfer (bottom)	177
Fig 2.	NHS3152 block diagram	6	Fig 45.	SPI bus timing	178
Fig 3.	NHS3153 block diagram	7	Fig 46.	SPI frame format with CPOL = logic 0 and CPHA = logic 0. (a) Single and b) Continuous Transfer	178
Fig 4.	NHS31xx family memory map	9	Fig 47.	SPI frame format with CPOL = logic 0 and CPHA = logic 1	179
Fig 5.	Pad configuration of HVQFN24 package.	12	Fig 48.	SPI frame format with CPOL = logic 1 and CPHA = logic 0 (a) Single and b) Continuous Transfer)	180
Fig 6.	Ball configuration of WLCSP25 package.	15	Fig 49.	SPI frame format with CPOL = logic 1 and CPHA = logic 1	181
Fig 7.	NHS31xx clock generator block diagram.	19	Fig 50.	Microwire frame format (single transfer)	182
Fig 8.	NHS31xx power architecture	36	Fig 51.	Microwire frame format (continuous transfers)	182
Fig 9.	Power rails and power supply pad types.	37	Fig 52.	Masked write operation to the GPIODATA register	192
Fig 10.	PMU state transition diagram.	37	Fig 53.	Masked GPIO read operation	192
Fig 11.	NHS31xx power-up sequence	38	Fig 54.	Pin configuration with current drive mode.	195
Fig 12.	IAP command passing	45			
Fig 13.	Current-to-Digital block diagram	57			
Fig 14.	Capacitance-to-Digital block diagram	65			
Fig 15.	Analog-to-Digital / Digital-to-Analog block diagram	72			
Fig 16.	NHS31xx analog bus structure	79			
Fig 17.	Block diagram of the RFID/NFC interface	80			
Fig 18.	Memory map as seen from RF interface	81			
Fig 19.	System tick timer block diagram	98			
Fig 20.	A timer cycle in which PR=2, MRx=6, and both interrupt and reset on match are enabled	103			
Fig 21.	A timer cycle in which PR=2, MRx=6, and both interrupt and stop on match are enabled	104			
Fig 22.	16-bit timer block diagram	105			
Fig 23.	Sample PWM waveforms with a PWM cycle length of 100 (selected by MR2) and MAT2:0 enabled as PWM outputs by the PWCM register.	111			
Fig 24.	A timer cycle in which PR=2, MRx=6, and both interrupt and reset on match are enabled	114			
Fig 25.	A timer cycle in which PR=2, MRx=6, and both interrupt and stop on match are enabled	114			
Fig 26.	32-bit counter/timer block diagram.	115			
Fig 27.	Sample PWM waveforms with a PWM cycle length of 100 (selected by MR2) and MAT2:0 enabled as PWM outputs by the PWCM register.	121			
Fig 28.	Typical I ² C-bus configuration	140			
Fig 29.	Data format in the Master transmitter mode	150			
Fig 30.	Data format of Master receiver mode	151			
Fig 31.	Master receiver switches to master transmitter after sending Repeated-START.	151			
Fig 32.	Data format of Slave receiver mode	152			
Fig 33.	Data format of Slave mode	152			
Fig 34.	I ² C serial interface block diagram	153			
Fig 35.	Arbitration procedure	155			
Fig 36.	Serial clock synchronization.	155			
Fig 37.	Format and states in the Master transmitter mode	160			
Fig 38.	Format and states in Master receiver mode	162			
Fig 39.	Format and states in Slave receiver mode	166			
Fig 40.	Format and states in Slave transmitter mode	168			
Fig 41.	Simultaneous Repeated-START conditions from two masters	170			
Fig 42.	Forced access to a busy I ² C-bus	171			
Fig 43.	Recovering from a bus obstruction caused by a LOW level on SDA.	171			

31. Contents

1	Introductory information	3	4.5.8	Watchdog timer clock source selection register (WDTCLKSEL)	25
1.1	Introduction	3	4.5.9	Watchdog timer clock update enable register (WDTCLKUEN)	26
1.2	Attributes	3	4.5.10	Watchdog timer clock divider register (WDTCLKDIV)	26
1.3	Device-dependent features	5	4.5.11	clock output enable register (CLKOUTEN)	26
1.4	Ordering information	5	4.5.12	System tick counter calibration register (SYSTCKCAL)	27
1.5	Block diagrams	6	4.5.13	Start logic edge control register 0 (STARTAPRPO)	27
	NHS3100 Temperature logger	6	4.5.14	Start logic signal enable register 0 (STARTERPO)	27
	NHS3152 for therapy adherence using resistive sensing	6	4.5.15	Start logic reset register 0 (STARTRSRPOCLR)	28
	NHS3153 for therapy adherence using capacitive sensing	7	4.5.16	Start logic status register 0 (STARTSRPO)	28
1.6	ARM Cortex-M0+ core configuration	8	4.5.17	Wake-up configuration register (PDAWAKECFG)	29
1.7	Memory map	8	4.5.18	Power-down configuration register (PDRUNCFG)	29
1.7.1	Memories	9	4.5.19	Device ID register (DEVICE_ID)	30
1.7.1.1	SRAM (0x1000 0000 to 0x1000 1FFF)	9	5	Power management unit (PMU)	31
1.7.1.2	Flash (0x0000 0000 to 0x0000 7FFF)	9	5.1	About this chapter	31
1.7.1.3	EEPROM (0x3000 0000 to 0x3000 0FFF)	10	5.2	General description	31
2	Product feature overview	11	5.3	Functional description	31
2.1	About this chapter	11	5.3.1	Active mode	31
2.2	General description	11	5.3.1.1	Power configuration in Active mode	31
2.2.1	NHS3100 for cold chain monitoring and therapy adherence	11	5.3.2	Sleep mode	32
2.2.2	NHS3152 for therapy adherence using resistive sensing	11	5.3.3	Deep-sleep mode	32
2.2.3	NHS3153 for therapy adherence using capacitive sensing	11	5.3.4	Deep power-down mode	33
3	Pinning	12	5.4	System power architecture	34
3.1	About this chapter	12	5.5	Brown-out detection	39
3.2	Pinning	12	5.6	Register Descriptions	39
4	System configuration (SYSCON)	18	5.6.1	Power control register (PCON)	39
4.1	General description	18	5.6.2	General-purpose registers 0 to 4 (GPREG0-4)	40
4.2	Clock generation	18	5.6.3	Power status register (PSTAT)	41
4.3	System FRO clock specifications	19	5.6.4	Access status register (ACCSTAT)	41
4.3.1	SFRO trimming	19	5.6.5	Timer clock control register (TMRCLKCTRL)	42
4.4	Timer FRO clock specifications	19	5.6.6	PMU Interrupt mask set and clear register (IMSC)	43
4.5	Register description overview	19	5.6.7	PMU Raw interrupt status register (RIS)	43
4.5.1	System memory remap register (SYSMEMREMAP)	21	5.6.8	PMU Masked interrupt status register (MIS)	43
4.5.2	Peripheral reset control register (PRESETCTRL)	21	5.6.9	PMU Interrupt clear register (ICR)	43
4.5.3	System clock control register (SYSCLKCTRL)	21	6	In Application Programming (IAP) firmware	45
4.5.4	System clock update enable register (SYSCLKUEN)	23	6.1	IAP command list	46
4.5.5	System reset status register (SYSRSTSTAT)	23	6.1.1	Read factory settings	47
4.5.6	AHB clock control register	24	6.1.2	Prepare sectors for write operation	48
4.5.7	SPI/SSP clock divider control register (SSPCLKDIV)	25			

continued >>

6.1.3	Copy data to flash	48	8.4.10	Current-to-Digital high-value threshold register (THI)	62
6.1.4	Erase sectors	49	8.4.11	Current-to-Digital interrupt mask Set/Clear register (IMSC)	62
6.1.5	Blank check sectors	49	8.4.12	Current-to-Digital raw interrupt status register (RIS)	63
6.1.6	Read part identification number	49	8.4.13	Current-to-Digital masked interrupt status register (MIS)	63
6.1.7	Read boot code version number	50	8.4.14	Current-to-Digital interrupt clear register (ICR)	63
6.1.8	Compare	50	9	Capacitance-to-Digital converter (C2D)	64
6.1.9	Read UID	50	9.1	About this chapter	64
6.1.10	Erase page	51	9.2	Introduction	64
6.2	IAP Status Codes	51	9.3	Features	64
7	Temperature sensor	52	9.4	General description	65
7.1	About this chapter	52	9.5	Usage	66
7.2	Introduction	52	9.5.1	Example 1	66
7.3	Features	52	9.5.2	Example 2	67
7.4	General description	52	9.6	Register descriptions	67
7.5	Calibration	52	9.6.1	Capacitance-to-Digital control register (CR)	67
7.6	Register descriptions	52	9.6.2	Capacitance-to-Digital data register (DR)	67
7.6.1	Temperature sensor Control register (CR)	53	9.6.3	Capacitance-to-Digital status register (SR)	68
7.6.2	Temperature sensor Data register (DR)	53	9.6.4	Capacitance-to-Digital setup register 0 (SP0)	68
7.6.3	Temperature sensor Status register (SR)	53	9.6.5	Capacitance-to-Digital setup register 1 (SP1)	68
7.6.4	Temperature sensor Setup register 0 (SP0)	54	9.6.6	Capacitance-to-Digital setup register 2 (SP2)	69
7.6.5	Temperature sensor Setup register 1 (SP1)	54	9.6.7	Capacitance-to-Digital A-input switch matrix (MUXA)	69
7.6.6	Temperature sensor Setup register 2 (SP2)	54	9.6.8	Capacitance-to-Digital B-input switch matrix (MUXB)	69
7.6.7	Temperature sensor Setup register 3 (SP2)	54	9.6.9	Capacitance-to-Digital low-value threshold register (TLO)	69
7.6.8	Temperature sensor low-temperature threshold register (TLO)	55	9.6.10	Capacitance-to-Digital high-value threshold register (THI)	70
7.6.9	Temperature sensor high-temperature threshold register (THI)	55	9.6.11	Capacitance-to-Digital interrupt mask set/clear register (IMSC)	70
7.6.10	Temperature sensor Interrupt Mask Set/Clear Register (IMSC)	55	9.6.12	Capacitance-to-Digital raw interrupt status register (RIS)	70
7.6.11	Temperature sensor Raw Interrupt Status Register (RIS)	55	9.6.13	Capacitance-to-Digital masked interrupt status register (MIS)	70
7.6.12	Temperature sensor Register Masked Interrupt Status Register (MIS)	56	9.6.14	Capacitance-to-Digital interrupt clear register (ICR)	71
7.6.13	Temperature sensor Register Interrupt Clear Register (ICR)	56	10	Analog-to-Digital / Digital-to-Analog converter (ADCDA0)	72
8	Current-to-Digital converter (I2D)	57	10.1	About this chapter	72
8.1	About this chapter	57	10.2	Features	72
8.2	Introduction	57	10.3	General description	72
8.3	Input multiplexer	58	10.4	Input multiplexer and output switch matrix	73
8.4	Register descriptions	59	10.5	Register descriptions	74
8.4.1	Current-to-Digital control register (CR)	59	10.5.1	ADC Control register (CR)	74
8.4.2	Current-to-Digital data register (DR)	59	10.5.2	ADC Data register (ADCDR)	74
8.4.3	Current-to-Digital status register (SR)	60	10.5.3	DAC Data register (DACDR)	75
8.4.4	Current-to-Digital setup register 0 (SP0)	60			
8.4.5	Current-to-Digital setup register 1 (SP1)	61			
8.4.6	Current-to-Digital setup register 2 (SP2)	61			
8.4.7	Current-to-Digital Setup Register 3 (SP3)	61			
8.4.8	Current-to-Digital input multiplexer (MUX)	61			
8.4.9	Current-to-Digital low-value threshold register (TLO)	62			

continued >>

10.5.4	ADC Status register (SR)	75	13.4.6	RTC timer interrupt mask set/clear register (IE) . .	90
10.5.5	ADCDAC Setup register (ADCSP)	75	13.4.7	RTC timer raw interrupt status register (RIS) . .	90
10.5.6	ADC Input Multiplexer register (ADCMUX) . . .	76	13.4.8	RTC timer masked interrupt status register (MIS)	91
10.5.7	DAC Output switch register (DACMUX)	76	13.4.9	RTC timer interrupt clear register (ICR)	91
10.5.8	ADCDAC low-value threshold register (ADCTLO)	76	13.4.10	RTC timer access status register (ACCSTAT)	91
10.5.9	ADCDAC high-value threshold register (ADCTHI)	76	13.4.11	RTC timer time register (TIME)	92
10.5.10	ADCDAC Interrupt Mask Set/Clear register (IMSC)	76	14	Watchdog timer	93
10.5.11	ADCDAC Raw Interrupt Status register (RIS)	77	14.1	About this chapter	93
10.5.12	ADCDAC Masked Interrupt Status register (MIS)	77	14.2	Purpose	93
10.5.13	ADCDAC Interrupt Clear register (ICR)	78	14.2.1	Configuration	93
11	Analog signal buses	79	14.2.2	Features	93
11.1	About this chapter	79	14.2.3	General description	93
11.2	General description	79	14.3	Register descriptions	94
12	RFID/NFC communication unit	80	14.3.1	Watchdog mode register	94
12.1	About this chapter	80	14.3.2	Watchdog timer constant register	95
12.2	Introduction	80	14.3.3	Watchdog feed register	96
12.3	Features	80	14.3.4	Watchdog timer value register	96
12.4	General description	80	15	SYSTICK timer	97
12.5	Pin description	81	15.1	About this chapter	97
12.6	Functional description	81	15.2	Purpose	97
12.6.1	ISO 14443 A and MIFARE operation	81	15.3	Features	97
12.6.2	NHS31xx family communication protocol	82	15.4	General description	97
12.7	Register descriptions	82	15.5	Register descriptions	98
12.7.1	RFID/NFC configuration register (CFG)	83	15.5.1	System timer Control and Status Register (CSR)	99
12.7.2	RFID/NFC status register (SR)	83	15.5.2	System Timer Reload value register (RVR) . .	99
12.7.3	RFID/NFC incoming command register (CMDIN)	84	15.5.3	System Timer Current value register (CVR) . .	99
12.7.4	RFID/NFC outgoing data register (CMDOUT)	84	15.5.4	System Timer Calibration value register (CALIB)	100
12.7.5	RFID/NFC target address register (TARGET)	84	15.6	Functional description	100
12.7.6	RFID/NFC last accessed address register (LAST_ACCESS)	85	15.6.1	Example timer calculation	100
12.7.7	RFID/NFC interrupt mask register (IMSC) . . .	85	16	16-bit timer CT16B	102
12.7.8	RFID/NFC Raw interrupt status register (RIS)	85	16.1	About this chapter	102
12.7.9	RFID/NFC Raw interrupt status register (RIS)	86	16.2	Configuration	102
12.7.10	RFID/NFC Interrupt clear register (ICR)	86	16.3	Features	102
12.7.11	Buffer memory	87	16.4	Applications	102
13	Real-Time clock	88	16.5	General description	102
13.1	About this chapter	88	16.6	Pin description	103
13.2	Features	88	16.7	Example timer operation	103
13.3	General description	88	16.8	Architecture	105
13.4	Register descriptions	88	16.9	Register descriptions	106
13.4.1	RTC Control register (CR)	89	16.9.1	Interrupt register (IR)	106
13.4.2	RTC status register (SR)	89	16.9.2	Timer Control register (TCR)	107
13.4.3	RTC calibration register (CAL)	89	16.9.3	Timer Counter (TC)	107
13.4.4	RTC timer sleep time register (SLEEPT)	90	16.9.4	Prescale register (PR)	107
13.4.5	RTC timer current value register (VAL)	90	16.9.5	Prescale Counter register (PC)	107
			16.9.6	Match Control register (MCR)	108

continued >>

16.9.7	Match register (MR0/1/2/3)	109	19.4.2	Writing to Flash	130
16.9.8	External Match register (EMR)	109	19.4.3	Erasing/programming Flash	130
16.9.9	PWM Control register (PWMC)	110	19.4.4	Signature computation	132
16.9.10	Rules for single edge controlled PWM outputs	111	19.5	Register descriptions	134
17	32-bit timer CT32B	112	19.5.1	Flash Control register (FCTR)	134
17.1	About this chapter	112	19.5.2	Flash status register (FSTAT)	135
17.2	Configuration	112	19.5.3	Flash wait state register (FBWST)	135
17.3	Features	112	19.5.4	Registers for program/erase management	136
17.4	Applications	112	19.5.5	Signature generation registers	136
17.5	General description	112	19.5.6	Registers with ECC status information	137
17.6	Pin description	113	19.5.7	Interrupt registers	138
17.7	Example timer operation	114	19.5.8	Module ID register (MODULE_ID)	138
17.8	Architecture	115	20	I²C-bus interface	140
17.9	Register descriptions	116	20.1	About this chapter	140
17.9.1	Interrupt register (IR)	116	20.2	General description	140
17.9.2	Timer Control register (TCR)	117	20.3	Features	140
17.9.3	Timer Counter register (TC)	117	20.4	Configuration	141
17.9.4	Prescale register (PR)	117	20.5	Applications	141
17.9.5	Prescale Counter register (PC)	117	20.6	Pin description	141
17.9.6	Match Control register (MCR)	118	20.7	Register descriptions	141
17.9.7	Match registers (MR0/1/2/3)	119	20.7.1	I ² C Control Set register (CONSET)	143
17.9.8	External Match register (EMR)	119	20.7.2	I ² C Status register (STAT)	144
17.9.9	PWM Control register (PWMC)	120	20.7.3	I ² C-bus Data register (DAT)	145
17.9.10	Rules for single edge controlled PWM outputs	121	20.7.4	I ² C-bus Slave Address register 0 (ADR0)	145
18	EEPROM controller	122	20.7.5	I ² C-bus SCL High and Low duty cycle registers (SCLH / SCLL)	145
18.1	About this chapter	122	20.7.6	I ² C-bus Control Clear register (CONCLR)	146
18.2	On-chip EEPROM	122	20.7.7	I ² C-bus Monitor mode control register (MMCTRL)	147
18.3	Functional description	122	20.7.8	I ² C-bus slave address registers 1:3 (ADR1/2/3)	148
18.3.1	Reading from EEPROM	122	20.7.9	I ² C-bus Data Buffer register (DATA_BUFFER)	148
18.3.2	Writing to EEPROM	122	20.7.10	I ² C-bus Mask registers 0:3 (MASK0/1/2/3)	149
18.4	Register descriptions	123	20.8	I ² C-bus operating modes	149
18.4.1	Wait state registers (WSTATE, WSTATE)	124	20.8.1	Master transmitter mode	149
18.4.2	EEPROM auto programming register (PAUTOPROG)	124	20.8.2	Master receiver mode	150
18.4.3	EEPROM program clock management registers (CLKDIV, CLKDIV1, CLKDIV2)	124	20.8.3	Slave receiver mode	151
18.4.4	EEPROM power down register (PWRDWN)	125	20.8.4	Slave transmitter mode	152
18.4.5	Signature generation registers	125	20.9	I ² C-bus implementation and operation	153
18.4.6	Registers with status information	126	20.9.1	Input filters and output stages	153
18.4.7	Interrupt registers	127	20.9.2	Address Registers, ADDR0 to ADDR3	154
18.4.8	Module ID register (MODULE_ID)	128	20.9.3	Address mask registers, MASK0 to MASK3	154
19	Flash controller	129	20.9.4	Comparator	154
19.1	About this chapter	129	20.9.5	Shift register, DAT	154
19.2	On-chip flash	129	20.9.6	Arbitration and synchronization logic	154
19.3	Features	129	20.9.7	Serial clock generator	155
19.4	Functional description	129	20.9.8	Timing and control	156
19.4.1	Reading from Flash	129	20.9.9	Control register, CONSET and CONCLR	156
			20.9.10	Status decoder and status register	156

continued >>

20.10	Details of I ² C-bus operating modes	156	23.1	About this chapter	188
20.10.1	Master transmitter mode	157	23.2	Features	188
20.10.2	Master receiver mode	160	23.3	General description	188
20.10.3	Slave receiver mode	162	23.4	Register description	188
20.10.4	Slave transmitter mode	166	23.4.1	GPIO data register (GPIODATA)	189
20.10.5	Miscellaneous states	169	23.4.2	GPIO data direction register (DIR)	189
20.10.5.1	STAT = 0xF8	169	23.4.3	GPIO interrupt sense register (IS)	190
20.10.5.2	STAT = 0x00	169	23.4.4	GPIO interrupt both edges sense register (IBE)	190
20.10.6	Some special cases	169	23.4.5	GPIO interrupt event register (IEV)	190
20.10.6.1	Simultaneous Repeated-START conditions from two masters	170	23.4.6	GPIO interrupt mask register (IMSC)	190
20.10.6.2	Data transfer after loss of arbitration	170	23.4.7	GPIO raw interrupt status register (RIS)	190
20.10.6.3	Forced access to the I ² C-bus	170	23.4.8	GPIO masked interrupt status register (MIS)	191
20.10.6.4	I ² C-bus obstructed by a low level on SCL or SDA	171	23.4.9	GPIO interrupt clear register (IC)	191
20.10.6.5	Bus error	172	23.5	Functional description	191
20.10.7	I ² C-bus state service routines	172	23.5.1	Write/read data operation	191
20.10.8	Initialization	172		Write operation	191
20.10.9	I ² C-bus interrupt service	172		Read operation	192
20.10.10	The state service routines	172	24	Input/Output configuration	193
20.10.11	Adapting state services to an application	172	24.1	About this chapter	193
21	Serial Wire Debug	174	24.2	General description	193
21.1	About this chapter	174	24.2.1	PIO0 pin functions	193
21.2	Introduction	174	24.2.2	PIO0 pin mode	193
21.3	Features	174	24.2.3	PIO0 I ² C mode	194
22	Serial Peripheral Interface	175	24.2.4	PIO0 Current Drive mode	194
22.1	About this chapter	175	24.2.5	Reset state of pins	195
22.2	Features	175	24.2.6	ANA0 input selection	196
22.3	General description	175	24.3	IOCON register descriptions (base address 0x4004 4000)	196
22.4	Configuration	175	24.3.1	PIO0_0	197
22.5	Pin description	175	24.3.2	PIO0_1	197
	Pin detailed descriptions	176	24.3.3	PIO0_2	198
22.6	Functional description	176	24.3.4	PIO0_3	198
22.6.1	Texas Instruments synchronous serial frame format	176	24.3.5	PIO0_4	199
22.6.2	SPI frame format	177	24.3.6	PIO0_5	199
22.6.3	Semiconductor Microwire frame format	182	24.3.7	PIO0_6	200
22.7	Register descriptions	183	24.3.8	PIO0_7	200
22.7.1	SPI/SSP Control register 0 (CR0)	183	24.3.9	PIO0_8	201
22.7.2	SPI/SSP Control register 1 (CR1)	185	24.3.10	PIO0_9	201
22.7.3	SPI/SSP Data register (DR)	185	24.3.11	PIO0_10	202
22.7.4	SPI/SSP Status register (SR)	185	24.3.12	PIO0_11	202
22.7.5	SPI/SSP clock Prescale register (CPSR)	186	24.3.13	ANA0_0	203
22.7.6	SPI/SSP Interrupt Mask Set/Clear Register (IMSC)	186	24.3.14	ANA0_1	204
22.7.7	SPI/SSP Raw interrupt status register (RIS)	186	24.3.15	ANA0_2	204
22.7.8	SPI/SSP Masked interrupt status register (MIS)	187	24.3.16	ANA0_3	204
22.7.9	SPI/SSP Interrupt clear register (ICR)	187	24.3.17	ANA0_4	204
23	General-Purpose Input Output (GPIO)	188	24.3.18	ANA0_5	205
			24.3.19	ANABUSGROUND	205
			25	Nested Vectored Interrupt Controller	208
			25.1	About this chapter	208

continued >>

25.2	Features	208
25.3	General description	208
25.3.1	Interrupt sources	208
25.4	Register descriptions	210
25.4.1	Interrupt Set Enable Register 0 register (ISER0)	211
25.4.2	Interrupt clear enable register 0 (ICER0)	212
25.4.3	Interrupt Set Pending Register 0 register (ISPR0)	213
25.4.4	Interrupt Clear Pending Register 0 register (ICPR0)	214
25.4.5	Interrupt Active Bit Register 0 (IABR0)	215
25.4.6	Interrupt Priority Register 0 (IPR0)	216
25.4.7	Interrupt Priority Register 1 (IPR1)	216
25.4.8	Interrupt Priority Register 2 (IPR2)	216
25.4.9	Interrupt Priority Register 3 (IPR3)	217
25.4.10	Interrupt Priority Register 6 (IPR6)	217
25.4.11	Interrupt Priority Register 7 (IPR7)	217
26	Abbreviations	218
27	References	219
28	Legal information	220
28.1	Definitions	220
28.2	Disclaimers	220
28.3	Licenses	220
28.4	Trademarks	221
29	Tables	222
30	Figures	228
31	Contents	229

Please be aware that important notices concerning this document and the product(s) described herein, have been included in section 'Legal information'.

© NXP Semiconductors N.V. 2016.

All rights reserved.

For more information, please visit: <http://www.nxp.com>

For sales office addresses, please send an email to: salesaddresses@nxp.com

Date of release: 30 November 2016

Document identifier: <Document ID>UM10876