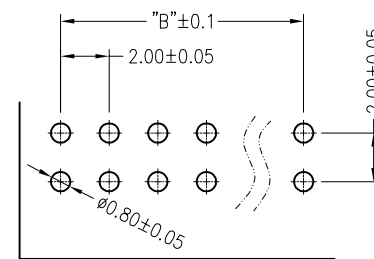
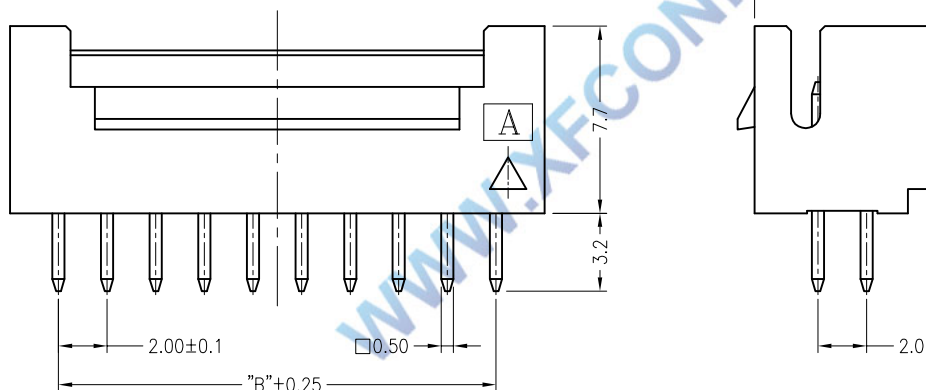
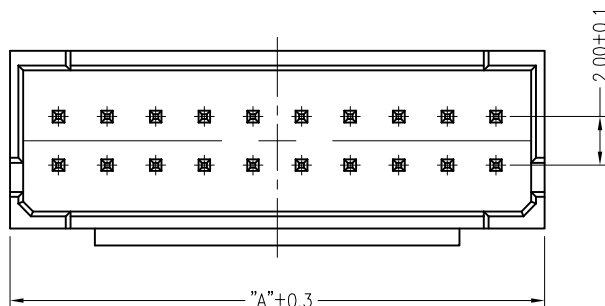


Poles	DIM.A	DIM.B
2x2P	6.0	2.0
2x3P	8.0	4.0
2x4P	10.0	6.0
2x5P	12.0	8.0
2x6P	14.0	10.0
2x7P	16.0	12.0
2x8P	18.0	14.0
2x9P	20.0	16.0
2x10P	22.0	18.0
2x11P	24.0	20.0
2x12P	26.0	22.0
2x13P	28.0	24.0
2x14P	30.0	26.0
2x15P	32.0	28.0
2x16P	34.0	30.0
2x17P	36.0	32.0
2x18P	38.0	34.0
2x20P	42.0	38.0
2x30P	62.0	58.0



P.C.B LAYOUT

SPECIFICATIONS

1. Voltage rating: 250V AC, DC
 2. Current rating: 3A, AC, DC
 3. Withstanding Voltage: 1000V AC/minute
 4. Insulation resistance: 1000M min
 5. Temperature range: -25 °C +85 °C
 6. Contact resistance: 20m max
- WAFER

Housing Material: Nylon46 UL 94V0

Pin Material: Phosphor Bronze or Brass

Contact Area Plating: Plated Tin or Plated Gold

Mates with :P2026 series Housing

Poles:04-60P

Part No.: M2026V-xx-46

Pin位数

VER	MODIFICATION	DRAW	DATE
A0			

TOLERANCE UNLESS OTHERWISE				DRAWN	CK tan
X.	±0.30	X°	±5°	CHKD	
.X	±0.20	.X°	±2°	APPD	
.XX	±0.08	.XX°	±1°	VIEW	⊕
.XXX	±0.03	.XXX°	±0.5°		

<p>XFCN兴飞连接器有限公司 CONNECTORS XFCN CONNECTORS CO., LTD.</p>		PRODUCT NAME	2.00mm Crimp Style Connectors
		PART. NO.	M2026V-2xXX-46

SHEET	1/1
DATE	2010. 4. 12
UNITS	mm
SCALE	1:1
DWG. NO.	009