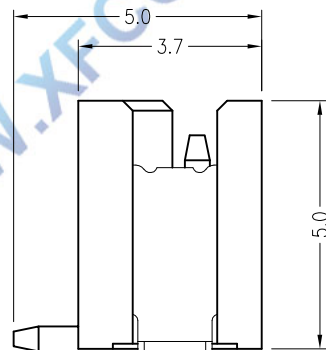
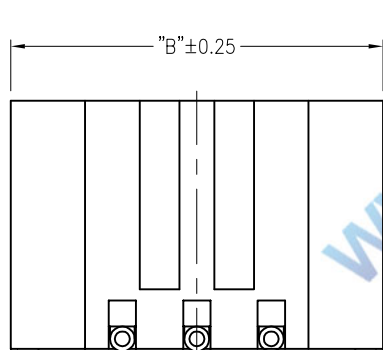
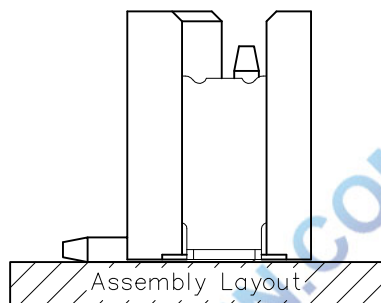
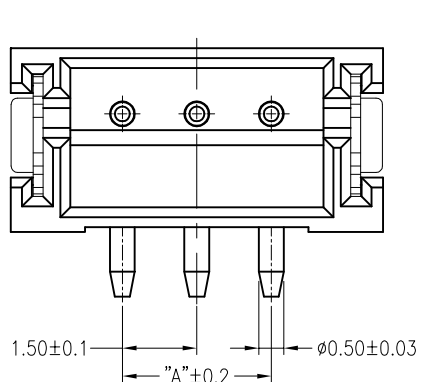


环保物料

TEL: 0769-82001899

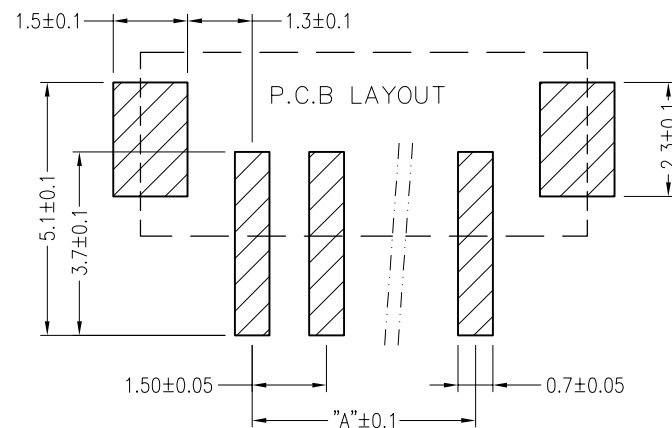
Poles	DIM. A	DIM. B
2	1.5	6.0
3	3.0	7.5
4	4.5	9.0
5	6.0	10.5
6	7.5	12.0
7	9.0	13.5
8	10.5	15.0
9	12.0	16.5
10	13.5	18.0
11	15.0	19.5
12	16.5	21.0
13	18.0	22.5
14	19.5	24.0
15	21.0	25.5
16	22.5	27.0



SPECIFICATIONS

1. Voltage rating: 100V AC, DC
 2. Current rating: 1A, AC, DC
 3. Withstanding Voltage: 500V AC/minute
 4. Insulation resistance: 500M Ω min
 5. Temperature range: -25 °C +85 °C
 6. Contact resistance: 20m Ω max
- WAFER
 Housing Material: PA9T UL 94V0
 Pin Material: Phosphor Bronze or Brass
 Contact Area Plating: Plated Tin or Plated Gold
 Mates with :P1510 series Housing
 Poles:02-16P
 Part No.: M1510VS-xx-9T-R

R=卷装 无=管装
 Pin位数



VER	MODIFICATION	DRAW	DATE
AO			

TOLERANCE UNLESS OTHERWISE				DRAWN	CK	tan
X.	±0.30	X°	±5°	CHKD		
.X	±0.20	.X°	±2°	APPD		
.XX	±0.08	.XX°	±1°	VIEW	⊕	⊖
.XXX	±0.03	.XXX°	±0.5°			

XFCN兴飞连接器有限公司
 CONNECTORS XFCN CONNECTORS CO., LTD.

PRODUCT NAME	1.50mm Crimp Style Connectors	SHEET	1/1
DATE	2010. 4. 12	UNITS	mm
SCALE	1:1	DWG NO.	009
PART. NO.	M1510VS-xx-9T		