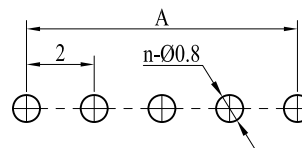
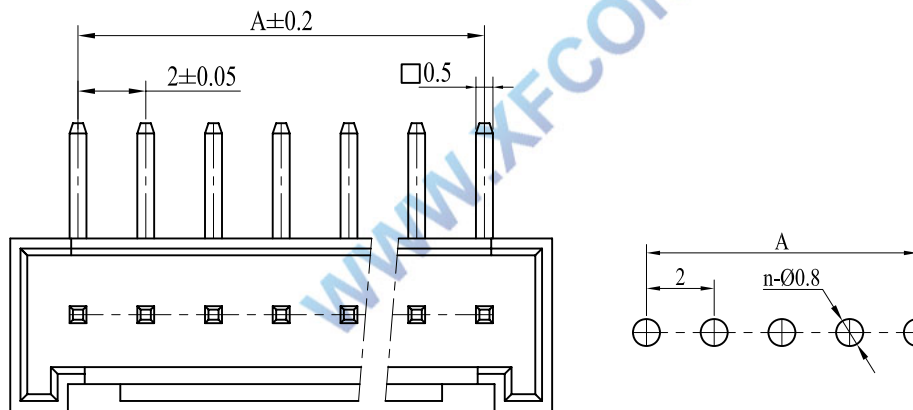
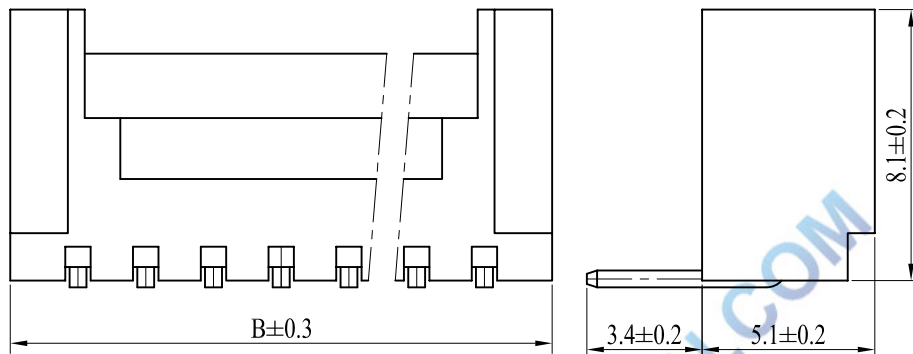


POLES	PART NO	DIMENSIONS(mm)	
		A	B
2	2	2.0	6.0
3	3	4.0	8.0
4	4	6.0	10.0
5	5	8.0	12.0
6	6	10.0	14.0
7	7	12.0	16.0
8	8	14.0	18.0
9	9	16.0	20.0
10	10	18.0	22.0
11	11	20.0	24.0
12	12	22.0	26.0
13	13	24.0	28.0
14	14	26.0	30.0
15	15	28.0	32.0
16	16	30.0	34.0



PCB 安装尺寸图

**SPECIFICATIONS**

- 1.Voltage rating: 250V AC, DC
- 2.Current rating: 2A, AC, DC
- 3.Withstanding Voltage: 1000V AC/minute
- 4.Insulation resistance:1000M min
- 5.Temperature range: -25 ° C+85 ° C
- 6.Contact resistance: 20m max

WAFER  
 Housing Material: Nylon66 UL 94V0  
 Pin Material: Phosphor Bronze or Brass  
 Contact Area Plating: Plated Tin or Plated Gold  
 Mates with :P2016 series Housing  
 Poles:02-16P  
 Part No.: M2016R-xx-N0

Pin位数

				TOLERANCE UNLESS OTHERWISE		DRAWN	CK tan	<b>XFCN</b> 兴飞连接器有限公司 CONNECTORS XFCN CONNECTORS CO., LTD.		SHEET	1/1
				X.	±0.30	X°	±5°			CHKD	DATE
				.X	±0.20	.X°	±2°	APPD	PRODUCT NAME	2.00mm Crimp Style Connectors	
				.XX	±0.08	.XX°	±1°	VIEW	PART. NO.	M2016R-xx-N0	
A0	MODIFICATION			DRAW	DATE	.XXX	±0.03	.XXX°	±0.5°	UNITS	mm
VER									SCALE	1:1	
									DWG NO.	009	