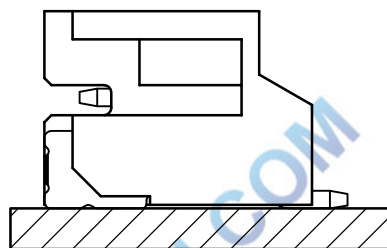
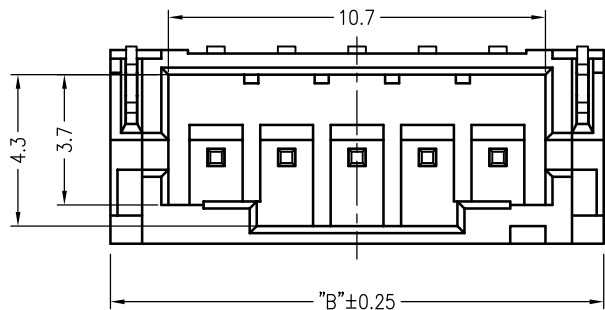


环保物料

TEL: 0769-82001899

Poles	DIM.A	DIM.B
2P	2.0	8.0
3P	4.0	10.0
4P	6.0	12.0
5P	8.0	14.0
6P	10.0	16.0
7P	12.0	18.0
8P	14.0	20.0
9P	16.0	22.0
10P	18.0	24.0
11P	20.0	26.0
12P	22.0	28.0
13P	24.0	30.0
14P	26.0	32.0
15P	28.0	34.0
16P	30.0	36.0



Assembly layout

SPECIFICATIONS

1. Voltage rating: 100V AC, DC
2. Current rating: 2A, AC, DC
3. Withstanding Voltage: 800V AC/minute
4. Insulation resistance: 1000M min
5. Temperature range: -25 ° C ~ +85 ° C
6. Contact resistance: 20m max

WAFER

Housing Material: PA9T UL 94V-0

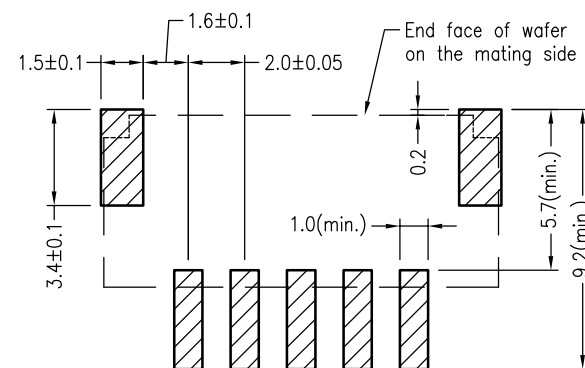
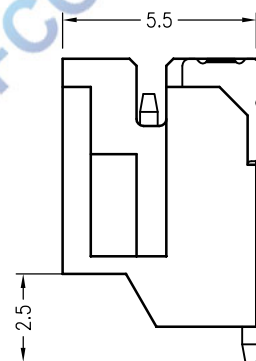
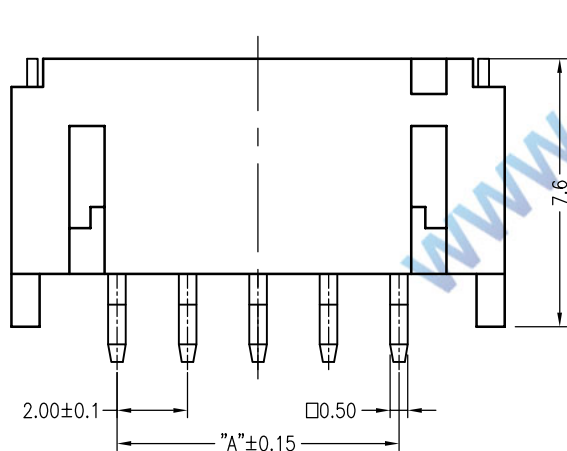
Pin Material: Phosphor Bronze or Brass

Contact Area Plating: Plated Tin or Plated Gold
Mates with :P2010 series Housing

Poles: 02-16P

Part No.: M2010RS-xx-9T-R

R=卷装 无=管装
Pin位数



P.C.B LAYOUT

				TOLERANCE UNLESS OTHERWISE		DRAWN	CK tan	XFCN 兴飞连接器有限公司		SHEET	1/1
				X.	±0.30	X°	±5°	CONNECTORS XFCN CONNECTORS CO., LTD.		DATE	2010. 4. 12
				.X	±0.20	.X°	±2°	PRODUCT NAME	2.00mm Crimp Style Connectors	UNITS	mm
				.XX	±0.08	.XX°	±1°	PART. NO.	M2010RS-xx-9T-R	SCALE	1:1
				.XXX	±0.03	.XXX°	±0.5°				
AO	MODIFICATION		DRAW	DATE							
VER											