

环保物料

TEL: 0769-82001899

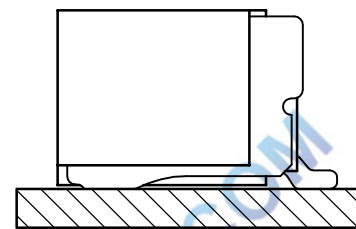
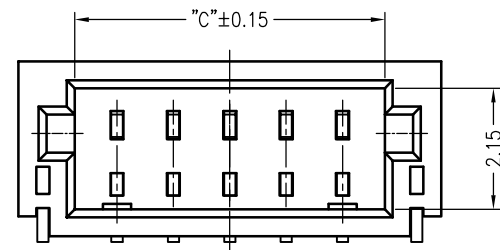
Poles	DIM. A	DIM. B	DIM. C
2P	1.0	4.5	2.6
3P	2.0	5.5	3.6
4P	3.0	6.5	4.6
5P	4.0	7.5	5.6
6P	5.0	8.5	6.6
7P	6.0	9.5	7.6
8P	7.0	10.5	8.6
9P	8.0	11.5	9.6
10P	9.0	12.5	10.6
11P	10.0	13.5	11.6
12P	11.0	14.5	12.6
13P	12.0	15.5	13.6
14P	13.0	16.5	14.6
15P	14.0	17.5	15.6
16P	15.0	18.5	16.6
17P	16.0	19.5	17.6
18P	17.0	20.5	18.6
19P	18.0	21.5	19.6
20P	19.0	22.5	20.6

SPECIFICATIONS

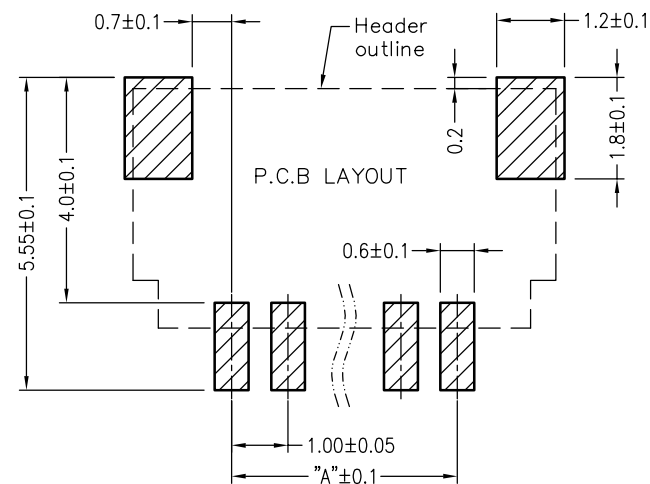
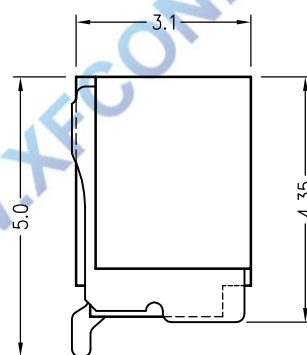
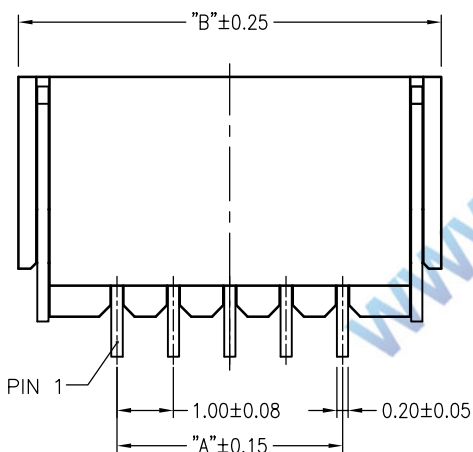
1. Voltage rating: 50V AC, DC
2. Current rating: 1A, AC, DC
3. Withstanding Voltage: 500V AC/minute
4. Insulation resistance: 100MΩ min
5. Temperature range: -25 °C - +85 °C
6. Contact resistance: 20mΩ max

WAFER
 Housing Material: PA9T UL 94V0
 Pin Material: Phosphor Bronze or Brass
 Contact Area Plating: Plated Tin or Plated Gold
 Mates with :P1010 series Housing
 Poles: 02-20P
 Part No.: M1010RS-xx-9T-R

R=卷装 无=管装
 Pin位数



Assembly Layout



				TOLERANCE UNLESS OTHERWISE		DRAWN	CK tan
				X.	±0.30	X°	±5°
				.X	±0.20	.X°	±2°
				.XX	±0.08	.XX°	±1°
				.XXX	±0.03	.XXX°	±0.5°
AO							
VER	MODIFICATION	DRAW	DATE				

XFCN 兴飞连接器有限公司 CONNECTORS XFCN CONNECTORS CO., LTD.		SHEET	1/1
		DATE	2010. 4. 12
PRODUCT NAME	1.00mm Crimp Style Connectors	UNITS	mm
PART. NO.	M1010RS-xx-9T-R	SCALE	1:1
		DWG. NO.	009